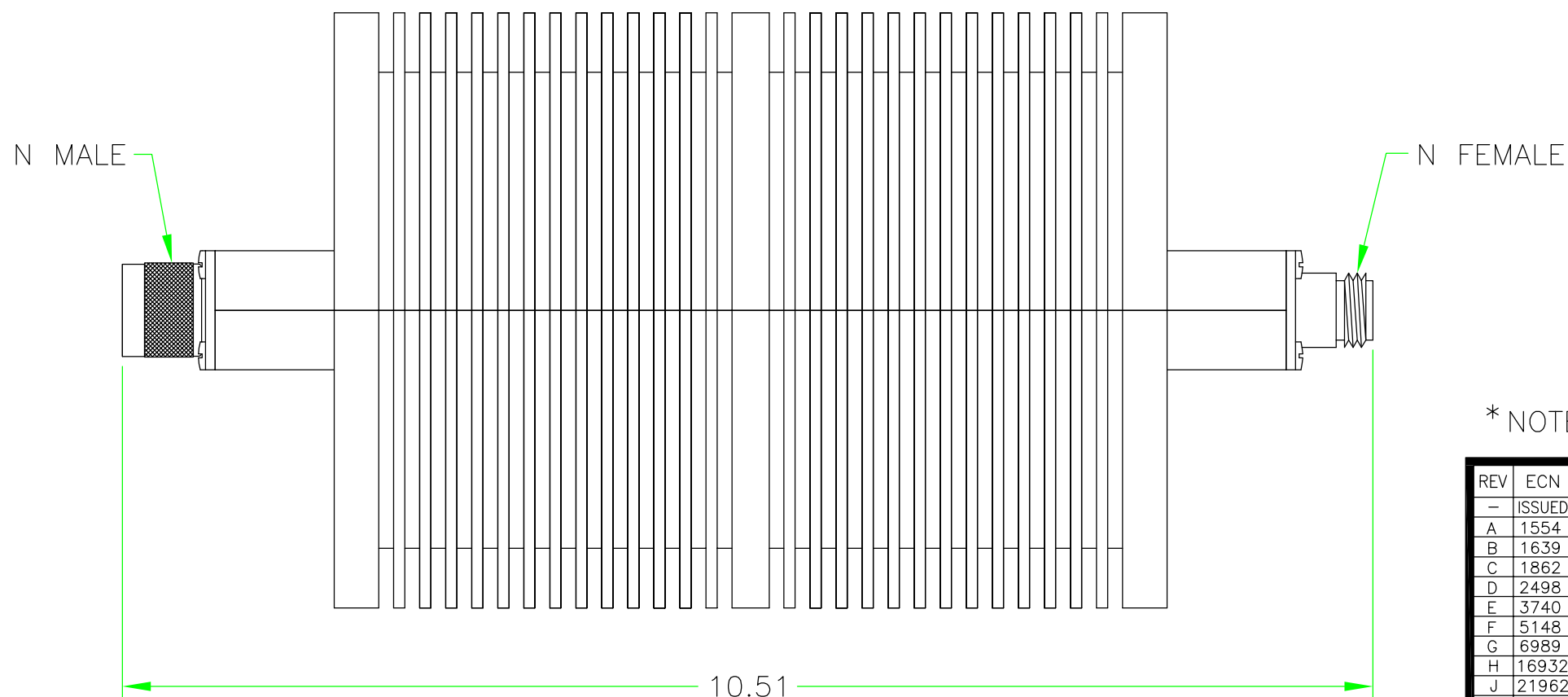
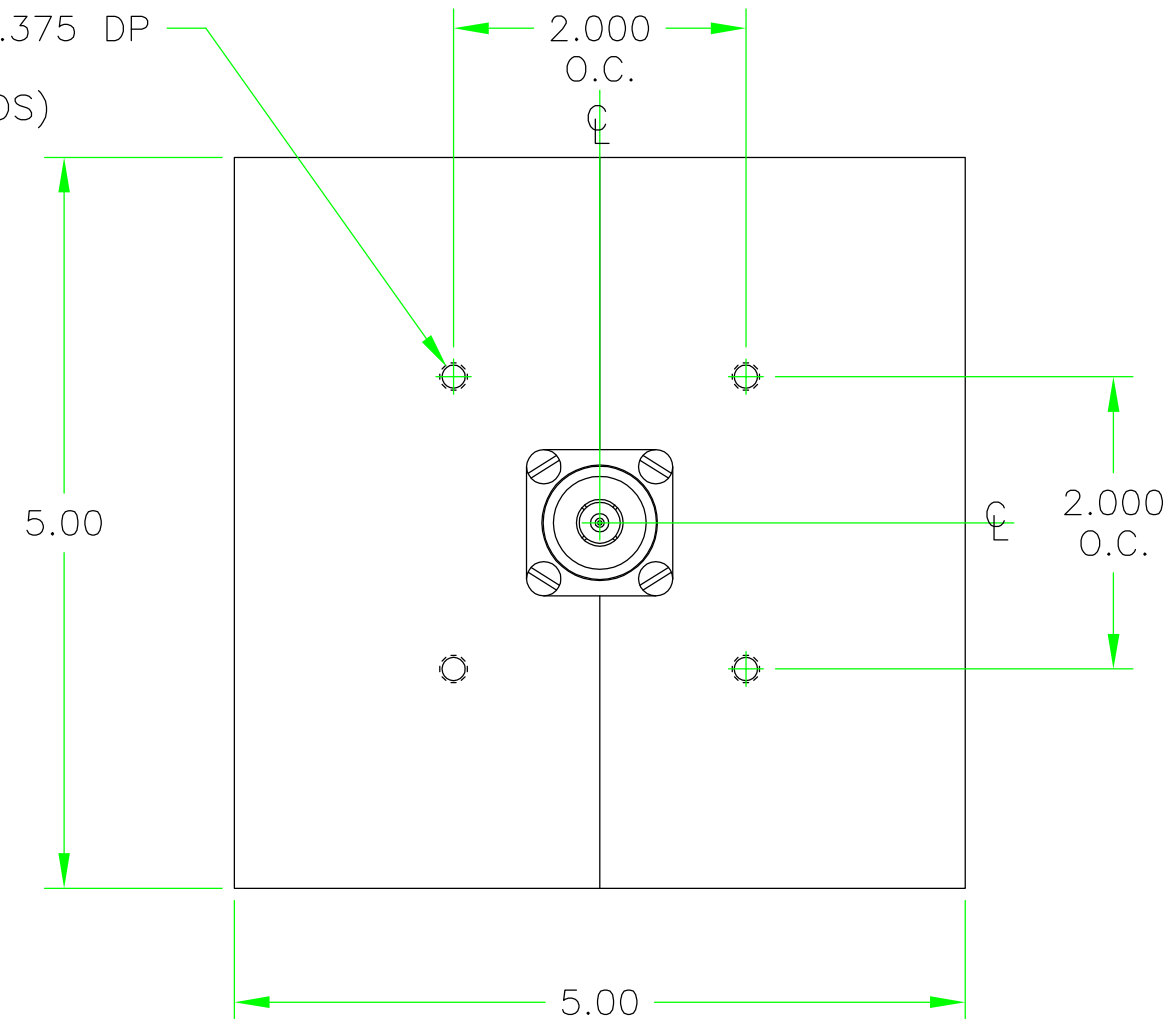



10-32 x .375 DP
4-PLACES
(BOTH ENDS)



* NOTE : INSERT dB VALUE i.e. 003 = 3dB

REV	ECN	DATE	BY	APPR	 JFW INDUSTRIES, INC. www.jfwindustries.com PH: 317-887-1340		
-	ISSUED	-	-	-			
A	1554	2-25-87	JD	FDW			
B	1639	5-14-87	PT	FDW			
C	1862	12-21-87	PT	FDW			
D	2498	5-05-89	TEZ	FDW			
E	3740	9-15-92	TEZ	FDW			
F	5148	11-19-96	CDJ	PT			
G	6989	1-24-02	CMB	TEZ			
H	16932	3-9-09	BZ	TEZ			
J	21962	10-4-12	JZ	TEZ			
					MATERIAL	ALUMINUM ALLOY	PROPRIETARY INFORMATION
					FINISH	CHEMFILM TCP / HEATSINK: BLACK PAINT	ALL SURFACES ARE TO BE FREE OF BURRS, PITS, & SCRATCHES
					MODEL	XXFH-XXX-300	TOLERANCES .XX±.010 .XXX±.005 XX'±.5'
					SCALE	3/4	
					DESCRIPTION	300 WATT FIXED ATTENUATOR	DWG # 092-790