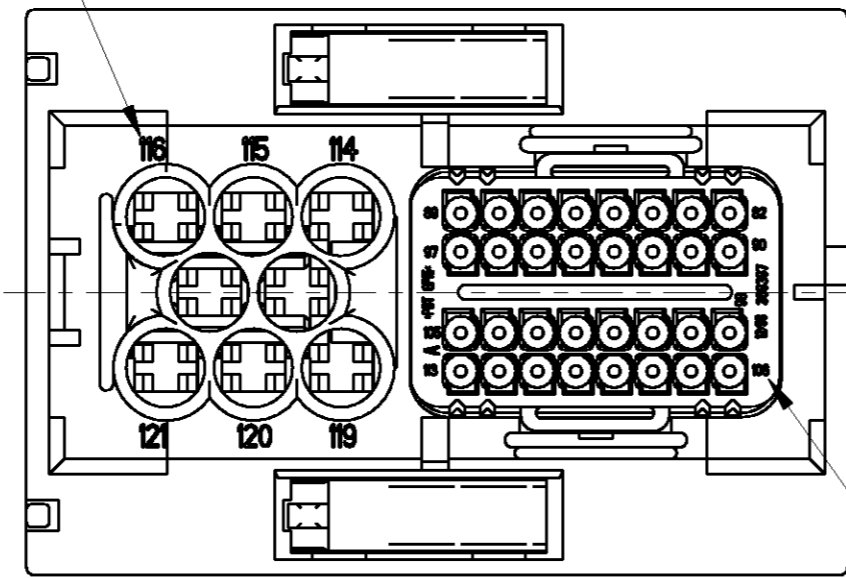


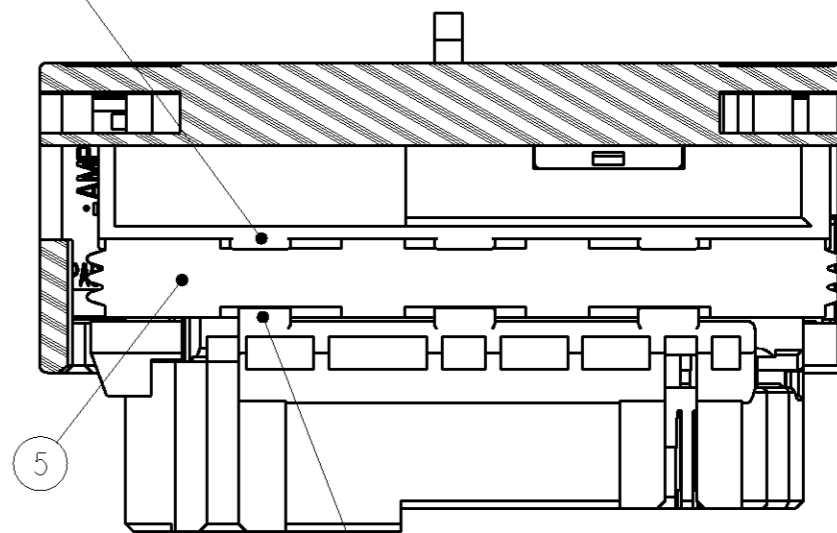
REVISONS						
REV	DESCRIPTION	ECN	DATE	DWN	APVD	
0	RELEASED	FJ00-2386-01	10OCT01	Y.K	N.S	
A	REVISED	FJ00-0263-02	01FEB02	Y.K	N.S	
AI	ADDED -2	ECR-07-008630	13APR07	TS	KB	

CIRCUIT NUMBER



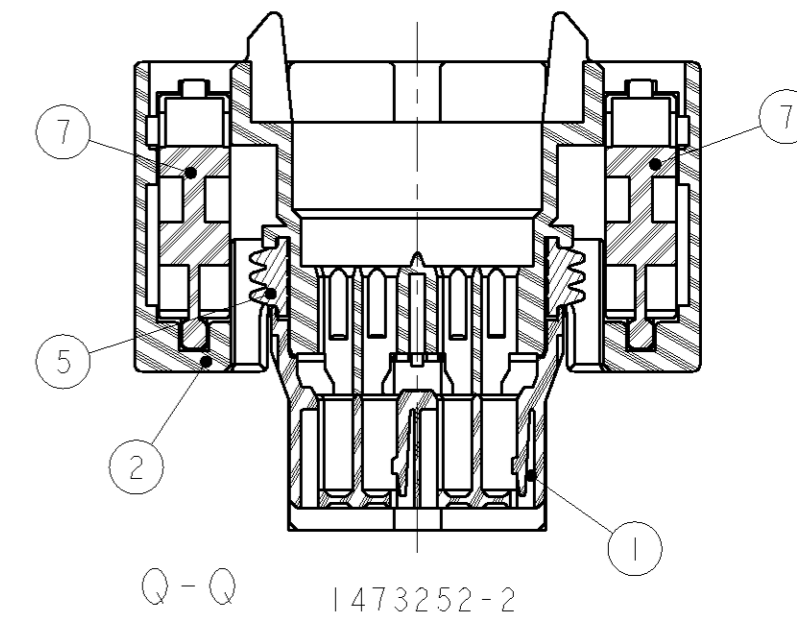
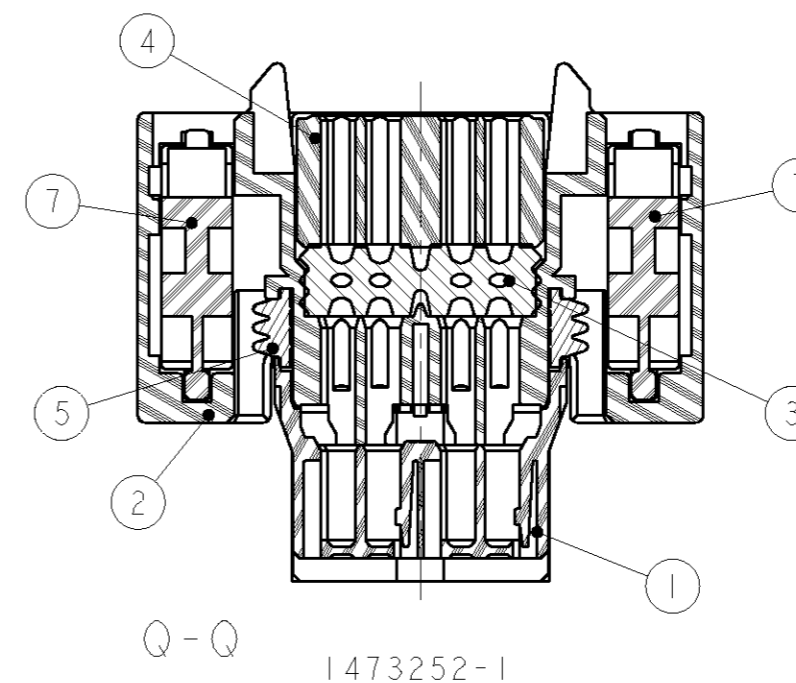
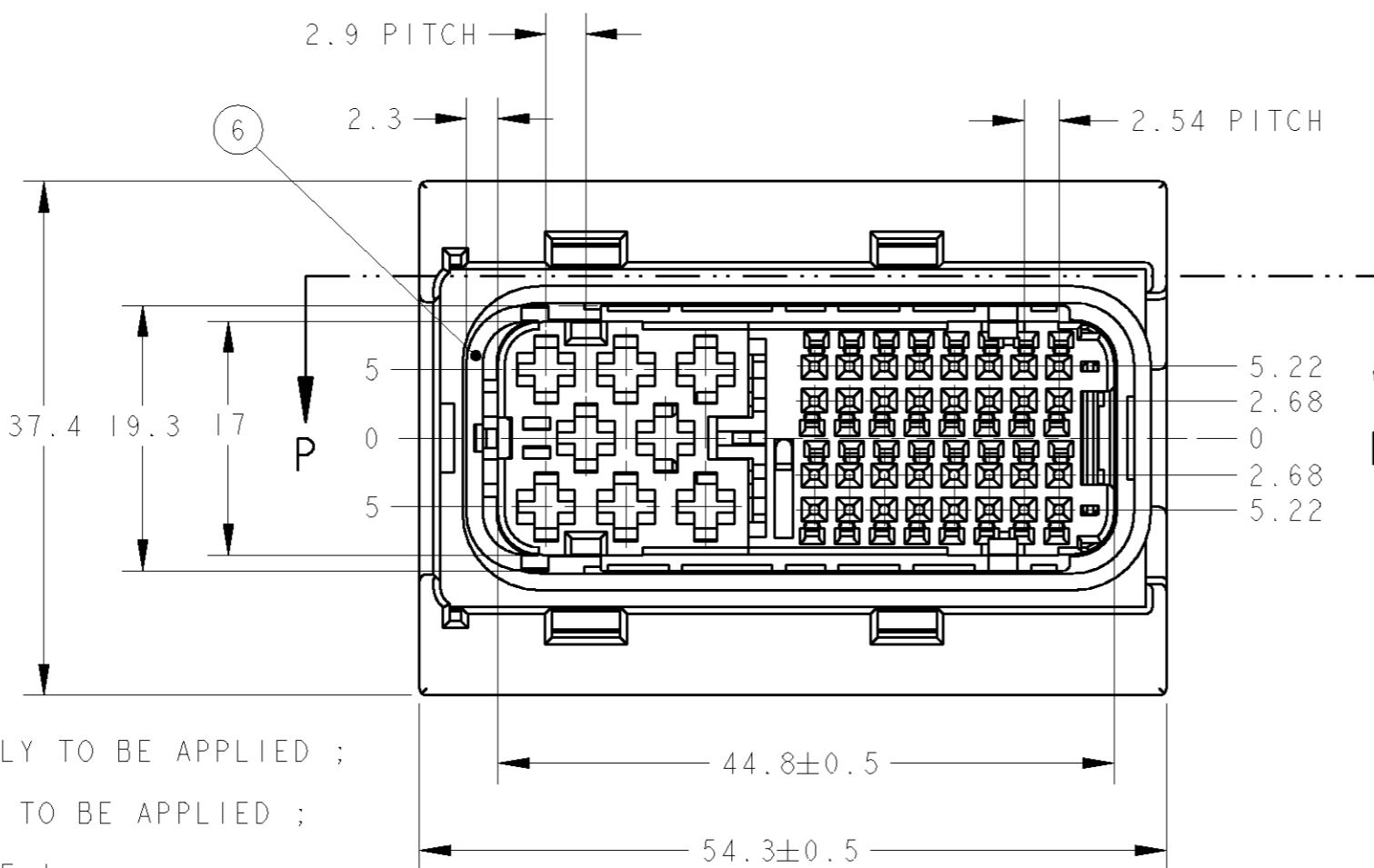
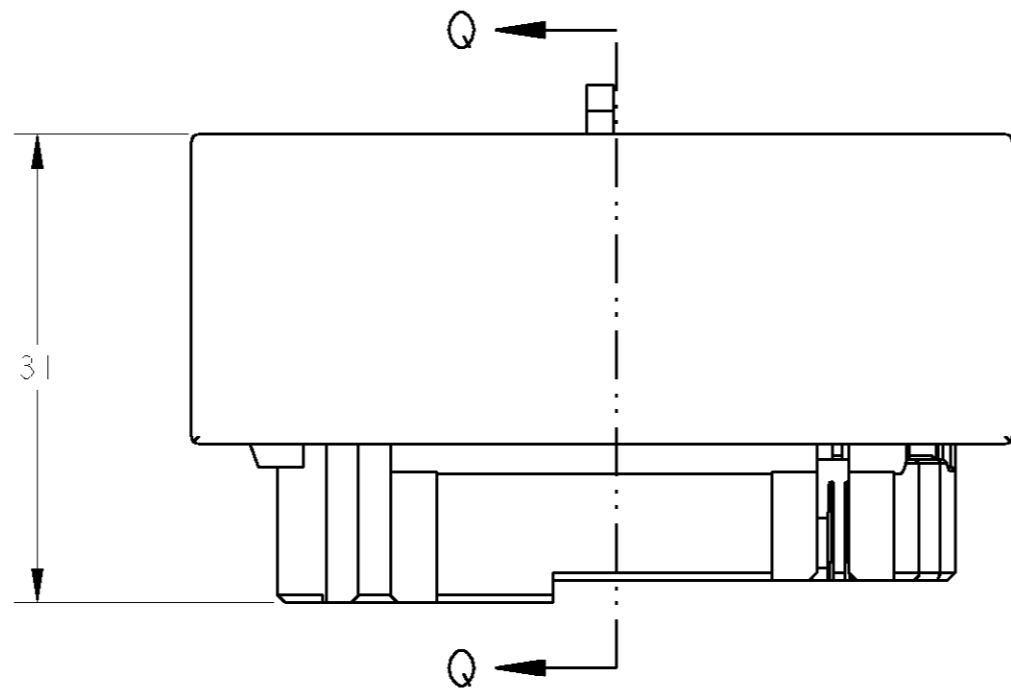
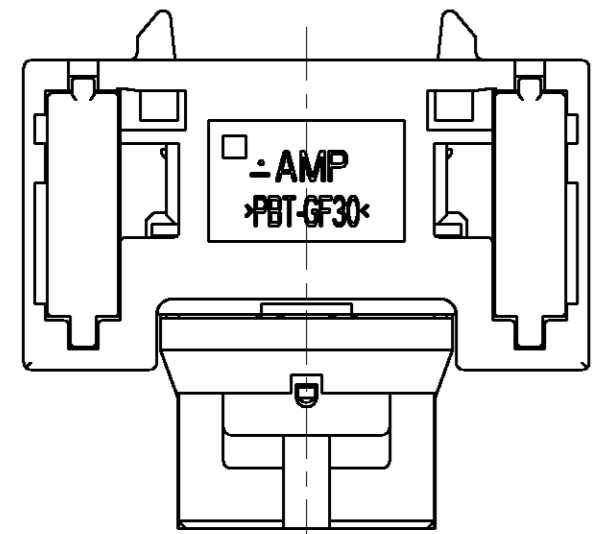
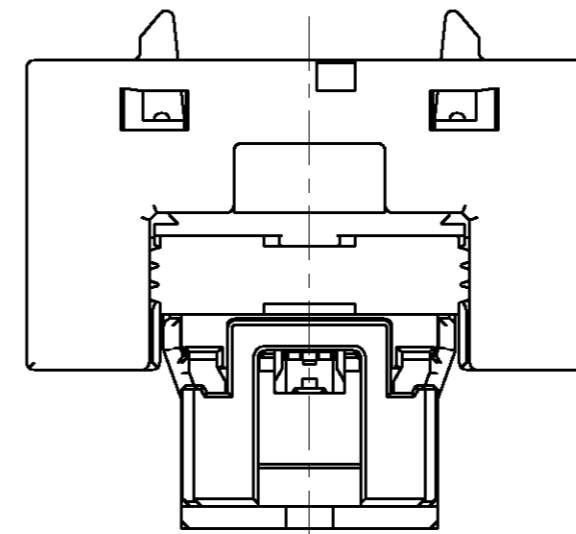
CIRCUIT NUMBER

BOSS OF MAIN CAVITY BLOCK.  
IT HOLD A PERIPHERAL SEAL.  
(8PLC)



BOSS OF FRONT CAVITY BLOCK.  
IT HOLD A PERIPHERAL SEAL.  
(6PLC)

P-P



- PART NUMBER OF LEVER ASSEMBLY TO BE APPLIED ; P/N 1473255-1
- PART NUMBER OF MQS RETAINER TO BE APPLIED ; P/N 368388-1
- APPLIED TERMINAL ; SEE TABLE-I
- PART NUMBER OF CAP HOUSING TO BE MATED ; P/N 1241434-1
- INSTRUCTION SHEET NO ; 411-78008

- 適用レバーアッセンブリ型番は、P/N 1473255-1
- 適用MQSリテーナ型番は、P/N 368388-1
- 適用端子はTABLE-I参照
- 嵌合相手型番は、P/N 1241434-1
- 取扱説明書 NO ; 411-78008

TABLE-I

CONTACT	MQS		JPT		
PART NUMBER	968220-1	968221-1	964282-2	964286-2	964273-2
WIRE SIZE (mm <sup>2</sup> )	0.2~0.5	0.75	0.2~0.5	0.5~1.0	>1.0~2.5

2	2	PA66	SLIDER	BLACK	7
1	1	PBT	JPT RETAINER	YELLOW	6
1	1	SILICONE	PERIPHERAL SEAL	ORANGE	5
-	1	PBT	SEAL RETAINER	BLACK	4
-	1	SILICONE	32POS FAMILY SEAL	ORANGE	3
1	1	PBT	MAIN CAVITY BLOCK	BLACK	2
1	1	PA66	FRONT CAVITY BLOCK	BLACK	1
-2	-1	MATERIAL	PART NAME	FINISH/COLOR	NO

THIS DRAWING IS A CONTROLLED DOCUMENT FOR TYCO ELECTRONICS CORPORATION. IT IS SUBJECT TO CHANGE AND THE CONTROLLING ENGINEERING ORGANIZATION SHOULD BE CONTACTED FOR THE LATEST REVISION.

DWN: Y. KAWAHARA 10OCT01  
 CHK: N. SAI 10OCT01  
 APVD: K. SHIMIZU 10OCT01

tyco Electronics Tyco Electronics AMP K.K. Kawasaki, Japan

NAME: PLUG HOUSING ASSY  
 名称: SEALED 40POS. PLUG HSG MQS CLEAN BODY/JPT

PRODUCT SPEC: 108-5793  
 APPLICATION SPEC: 114-18021, 114-18050

SIZE: A2 CAGE CODE: 00779 DRAWING NO: 1473252  
 WEIGHT: 32.2g

MATERIAL: SEE TABLE FINISH: SEE TABLE

CUSTOMER DRAWING SCALE: 2:1 SHEET 1 OF 1 REV: AI