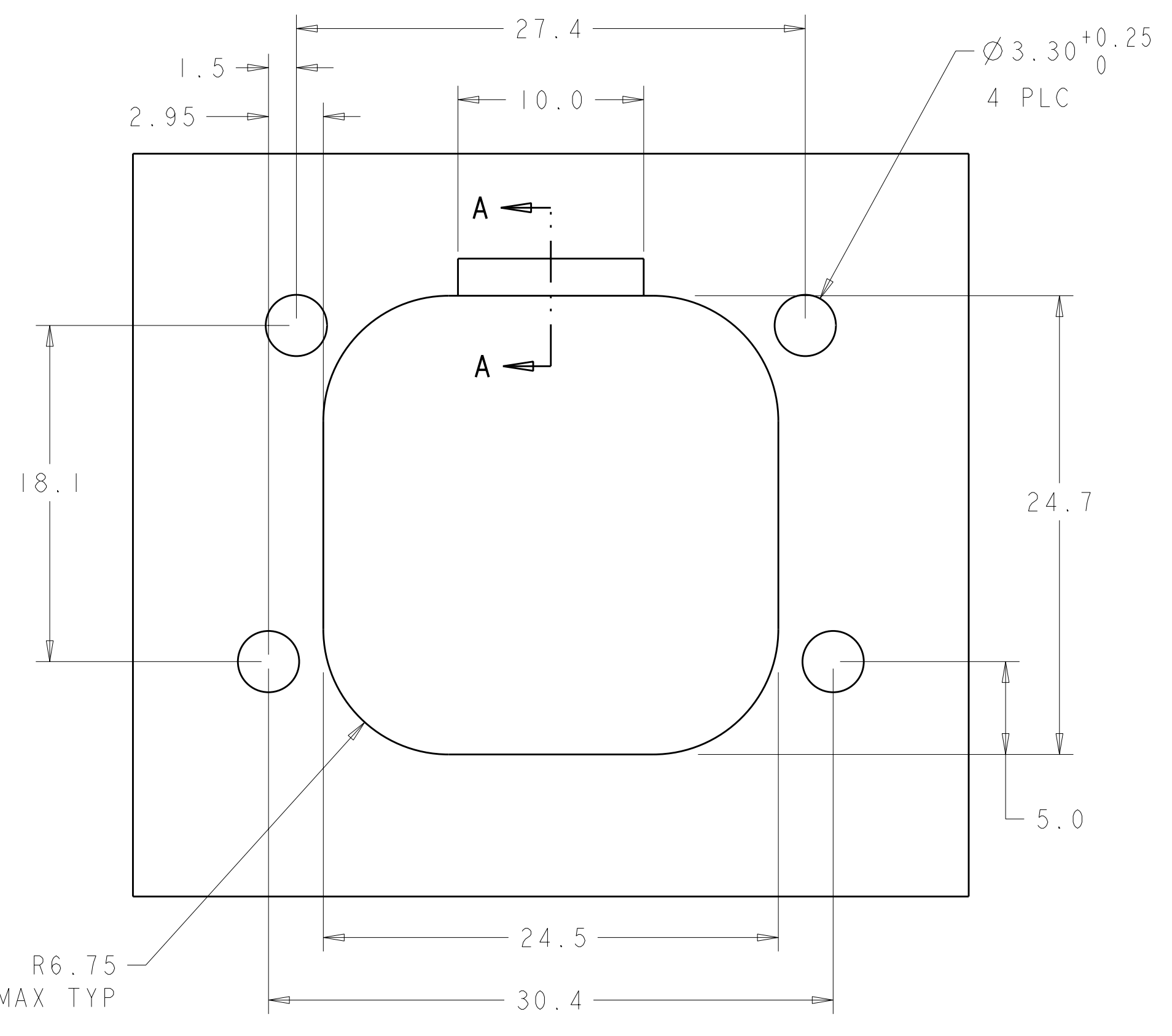
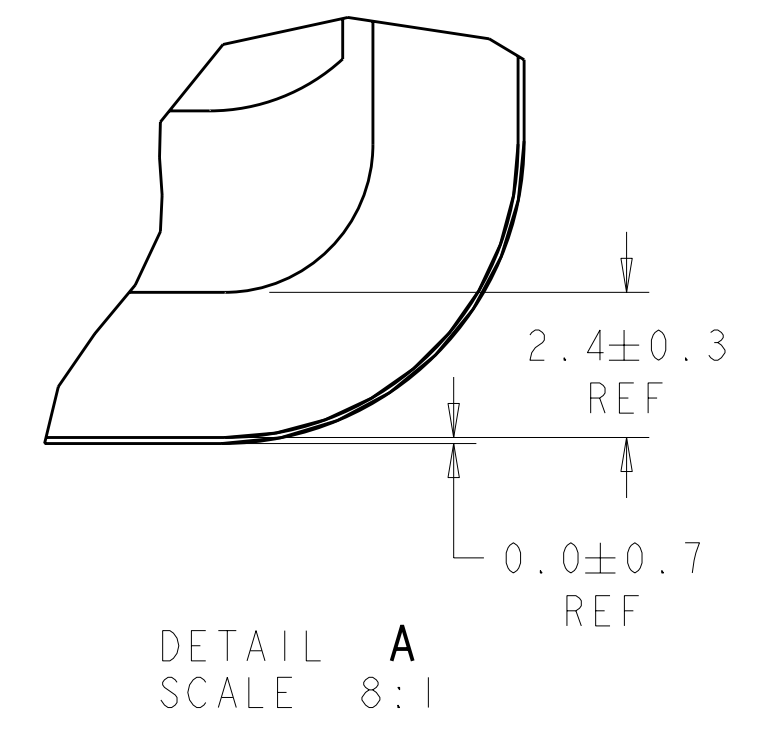
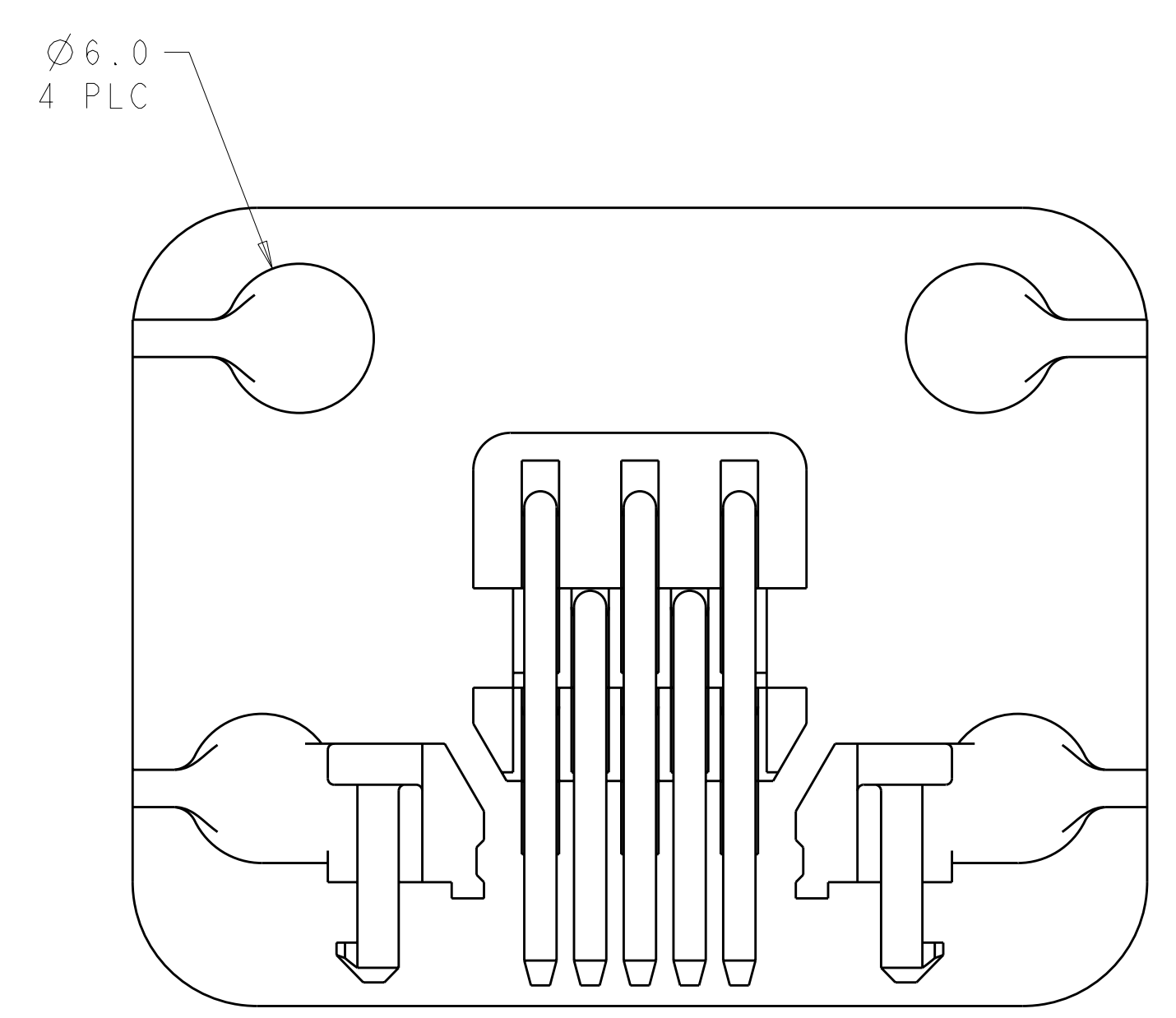
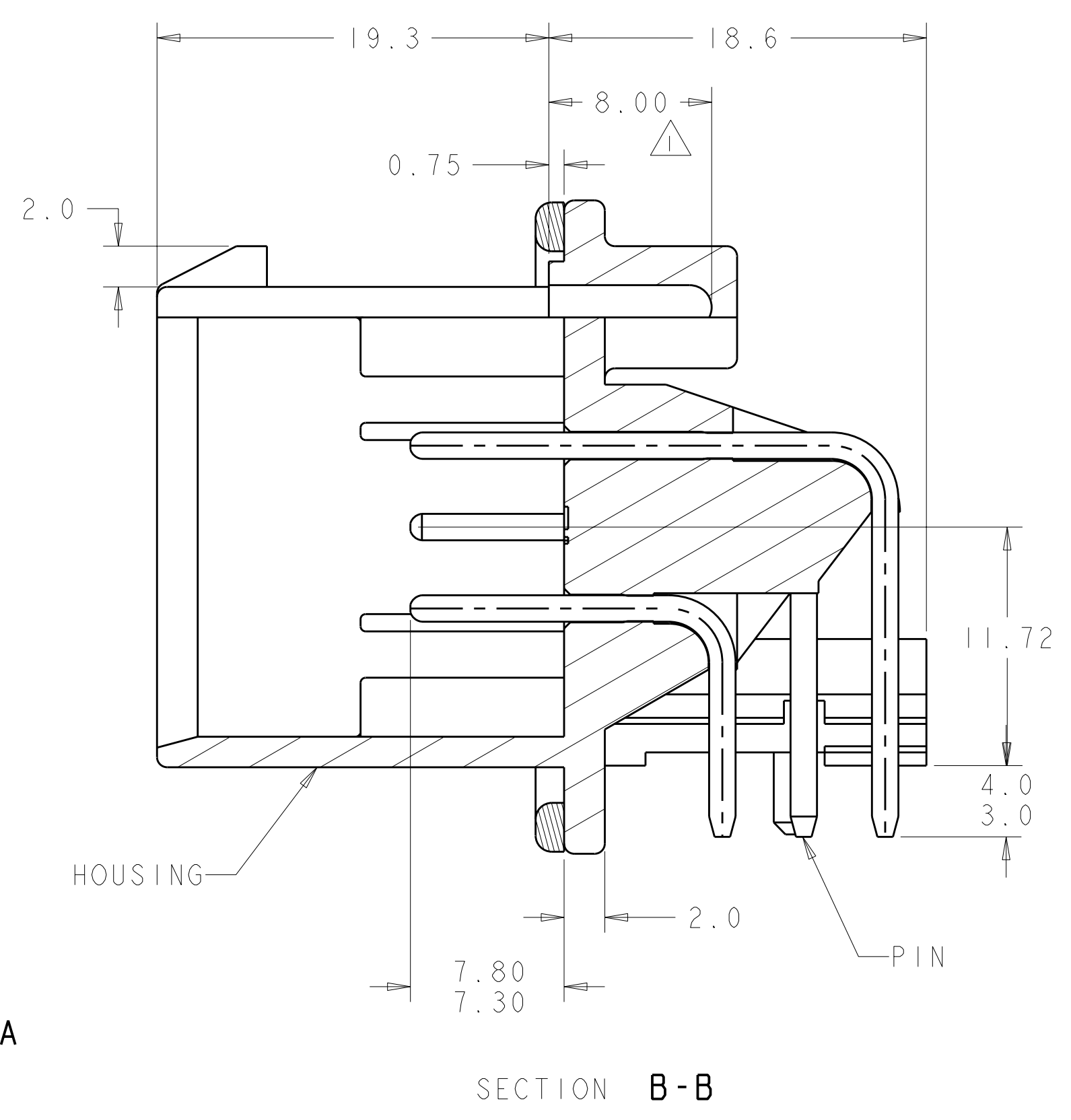
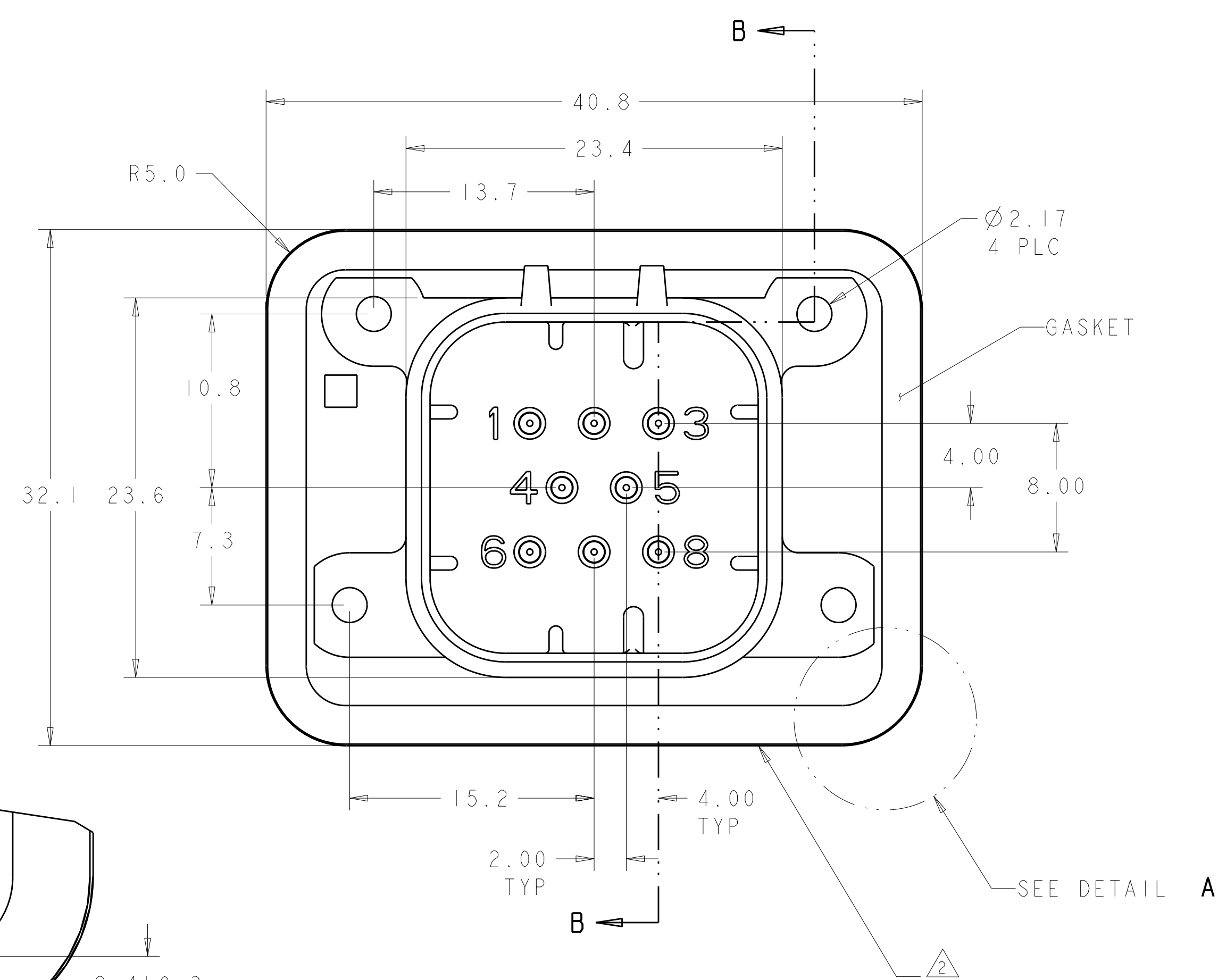
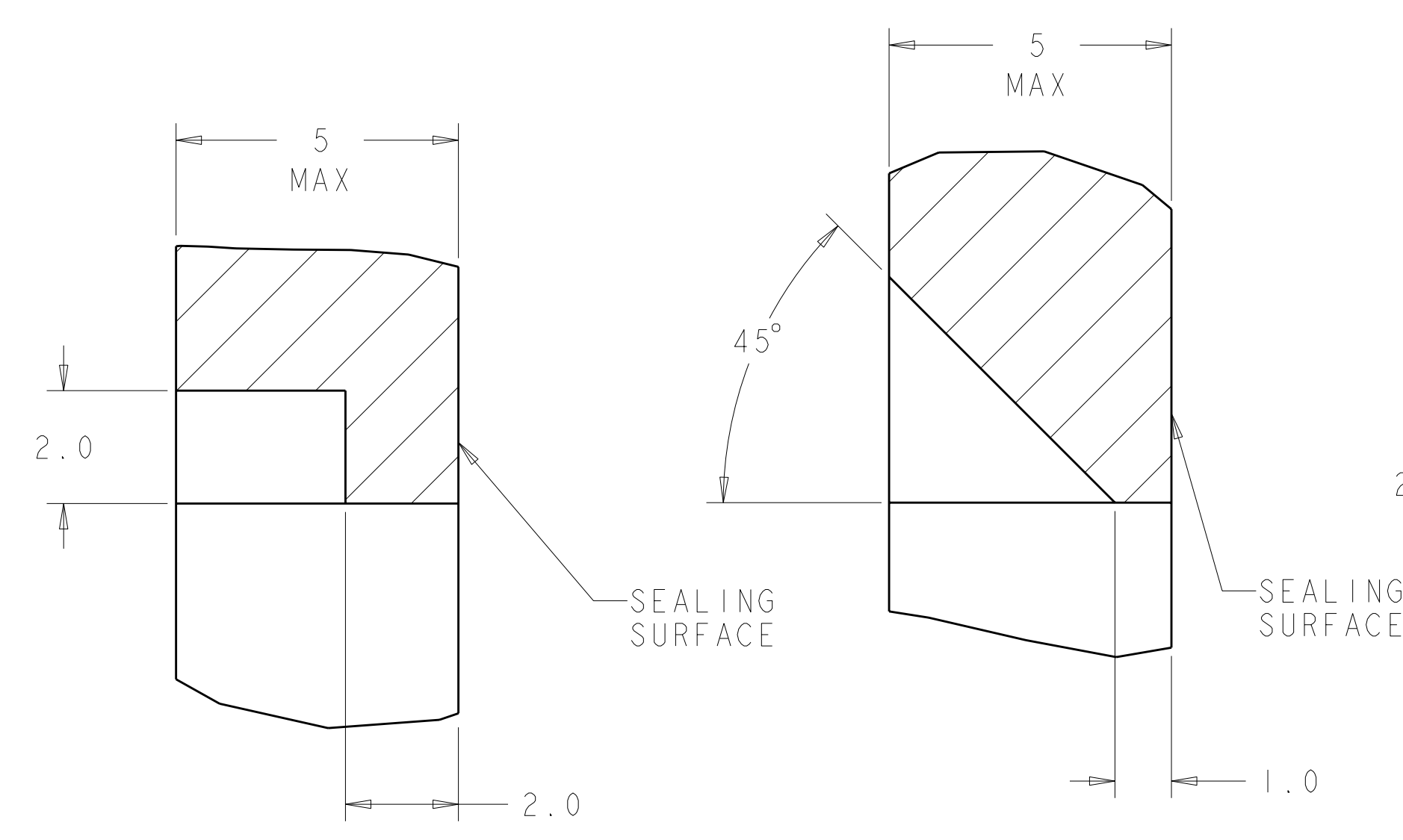


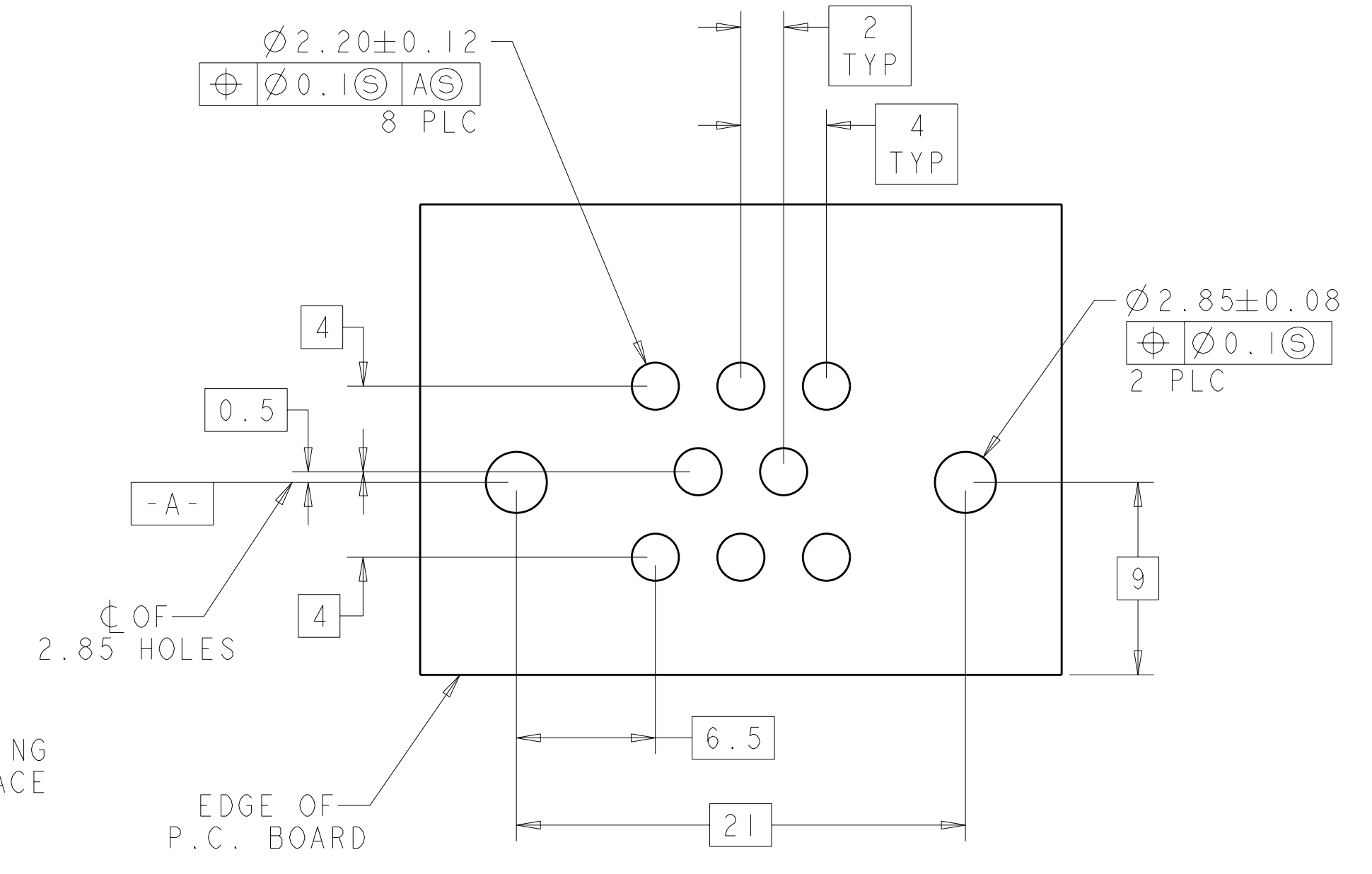
LOC	DIST	REV	DATE	BY	APPD
GE	00	F3	12MAR2011	RK	HMR



RECOMMENDED MOUNTING HOLE LAYOUT FOR 5.0 MAX THICK PANEL



SECTION A-A
OPTIONAL CONSTRUCTION IF THICKNESS IS GREATER THEN 2.0
SCALE 10:1



RECOMMENDED P.C. BOARD LAYOUT FOR 1.57 THICK P.C. BOARD

SILICONE	NATURAL	DURAGOLD PLATED	1-776280-2
	BLACK	DURAGOLD PLATED	1-776280-1
GASKET MATERIAL	BLACK	TIN PLATED	776280-6
	NATURAL	TIN PLATED	776280-2
	BLACK	TIN PLATED	776280-1
HEADER HOUSING COLOR		PIN	PART NUMBER

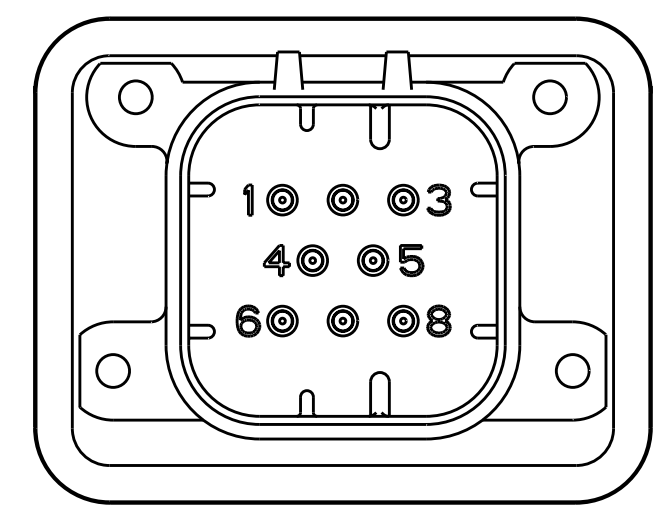
- △ ACCEPTS #4 SELF TAPPING THREAD CUTTING SCREWS OR METRIC EQUIVALENT. DRIVE TO 0.6±0.2 N-m MAX.
- △ HOUSING COLORS ARE MECHANICALLY KEYED TO MATE ONLY WITH IDENTICALLY COLORED PLUG ASSEMBLIES.
- △ REFER TO PAGE 2 FOR 776280-6 ASSEMBLY DIMENSIONS, RECOMMENDED MOUNTING HOLE AND P.C. BOARD LAYOUT ARE THE SAME FOR ALL DASH NUMBERS.

THIS DRAWING IS A CONTROLLED DOCUMENT.

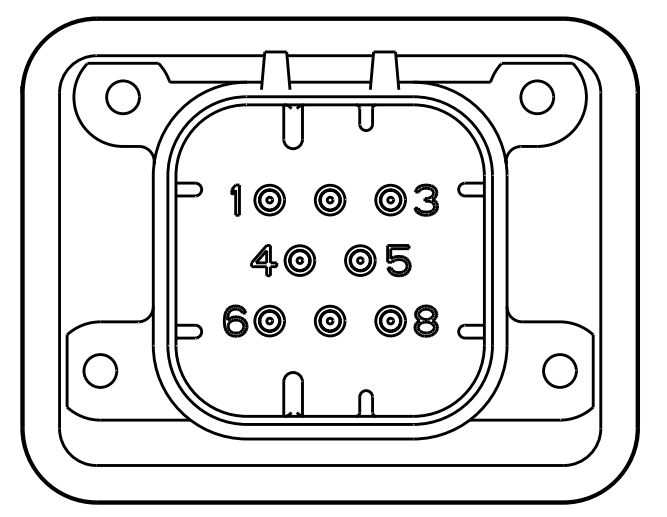
DIMENSIONS:	TOLERANCES UNLESS OTHERWISE SPECIFIED:	DWN: J. MARKEY 29FEB08	CHK: J. MARKEY 29FEB08	APVD: J. MARKEY 29FEB08	NAME:
mm	0 PLC ±0.25 1 PLC ±0.2 3 PLC ±0.13 5 PLC ±0.1 4 PLC ±0.1 ANGLES ±0.5°	PRODUCT SPEC:	APPLICATION SPEC:	WEIGHT:	SIZE: CAGE CODE: DRAWING NO: A1100779C=776280
MATERIAL: HOUSING: G.F. PBT PIN: BRASS	FINISH:	CUSTOMER DRAWING	SCALE: 4:1	SHEET: 1 OF 2	REV: F3

STE TE Connectivity
HEADER ASSEMBLY, 8 POSITION, RIGHT ANGLE, AMPSEAL

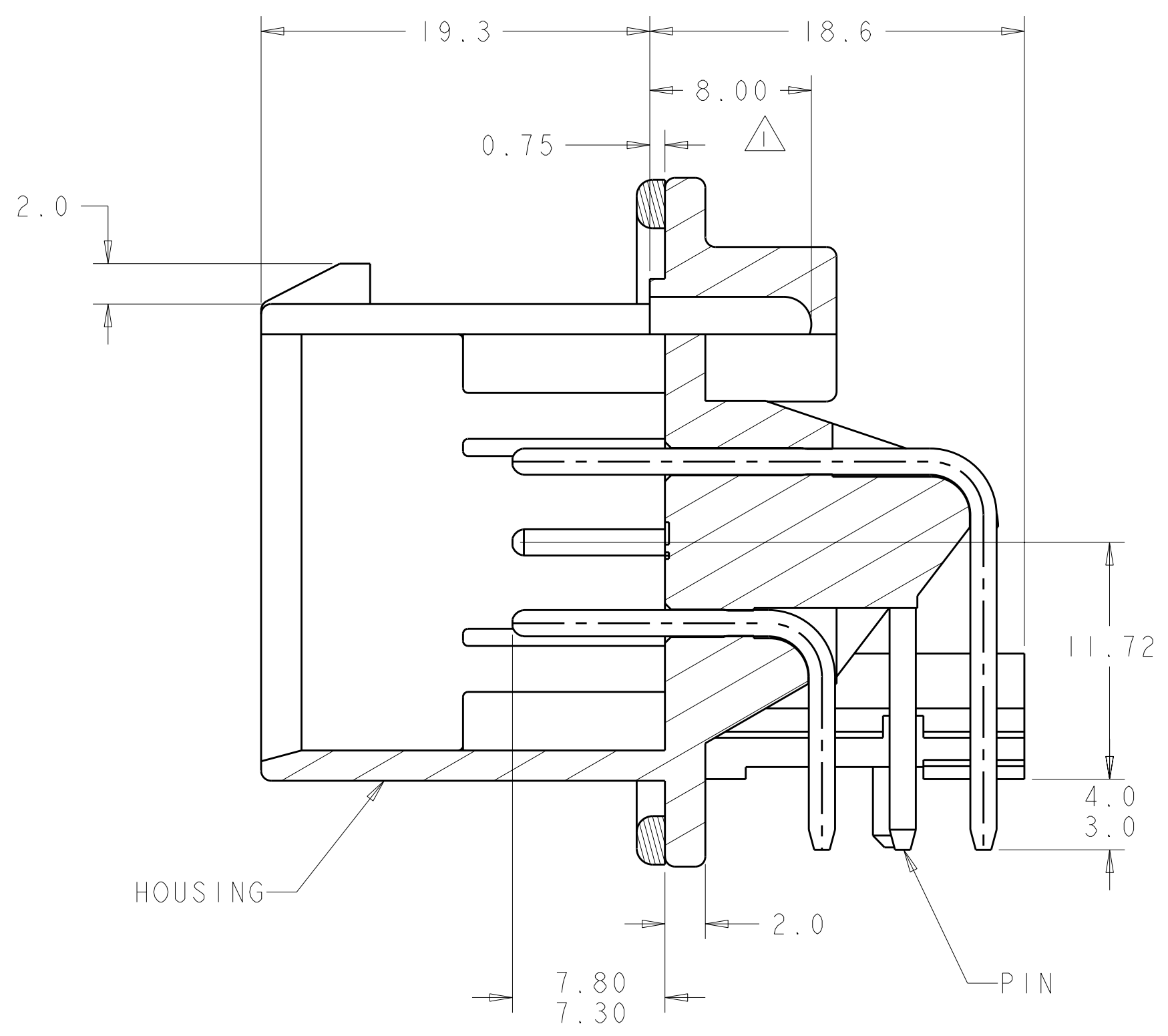
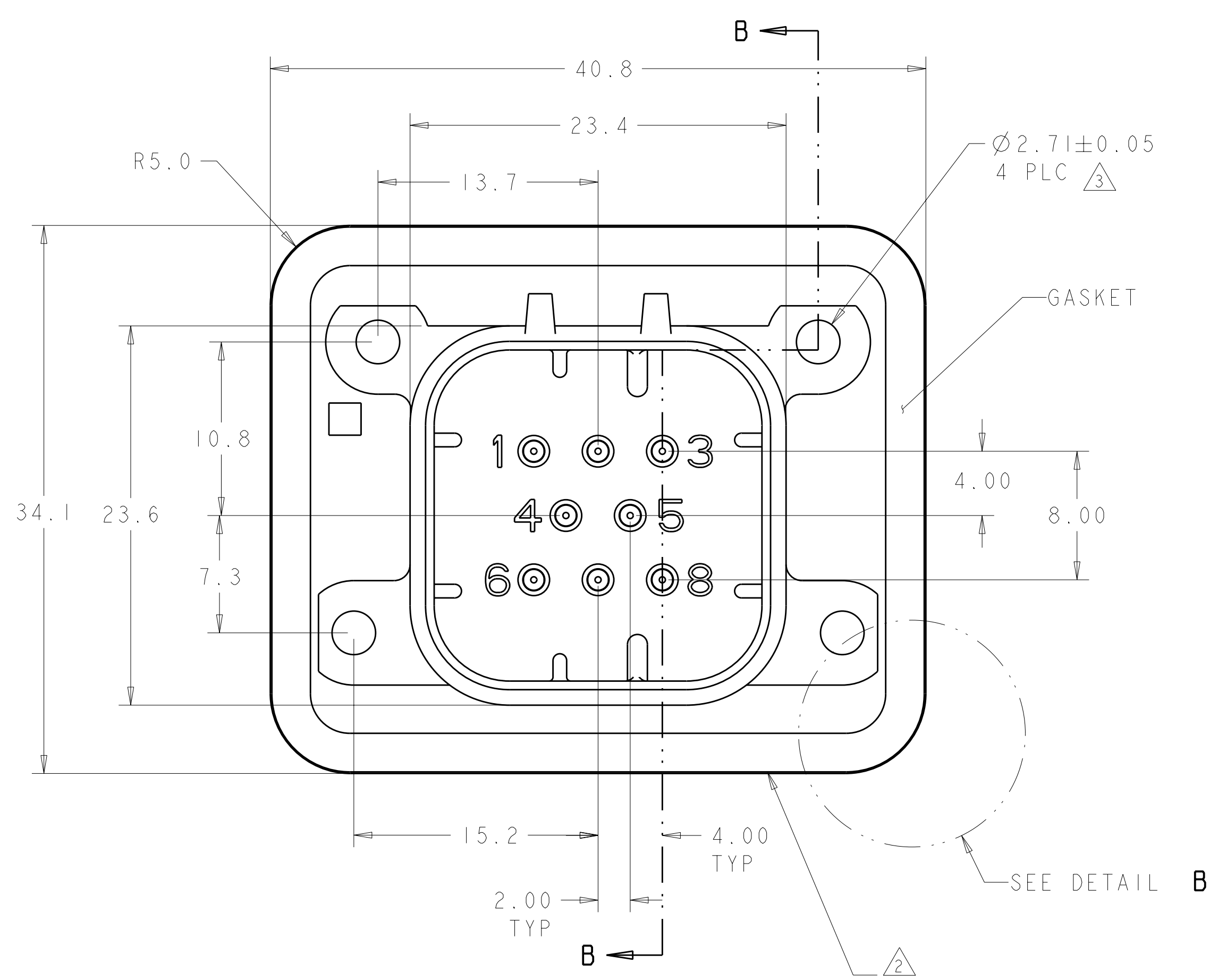
LOC	DIST	REV	DATE	BY	APPD
GE	00				
		DESCRIPTION	DATE	DWN	APPD
		SEE SHEET 1			



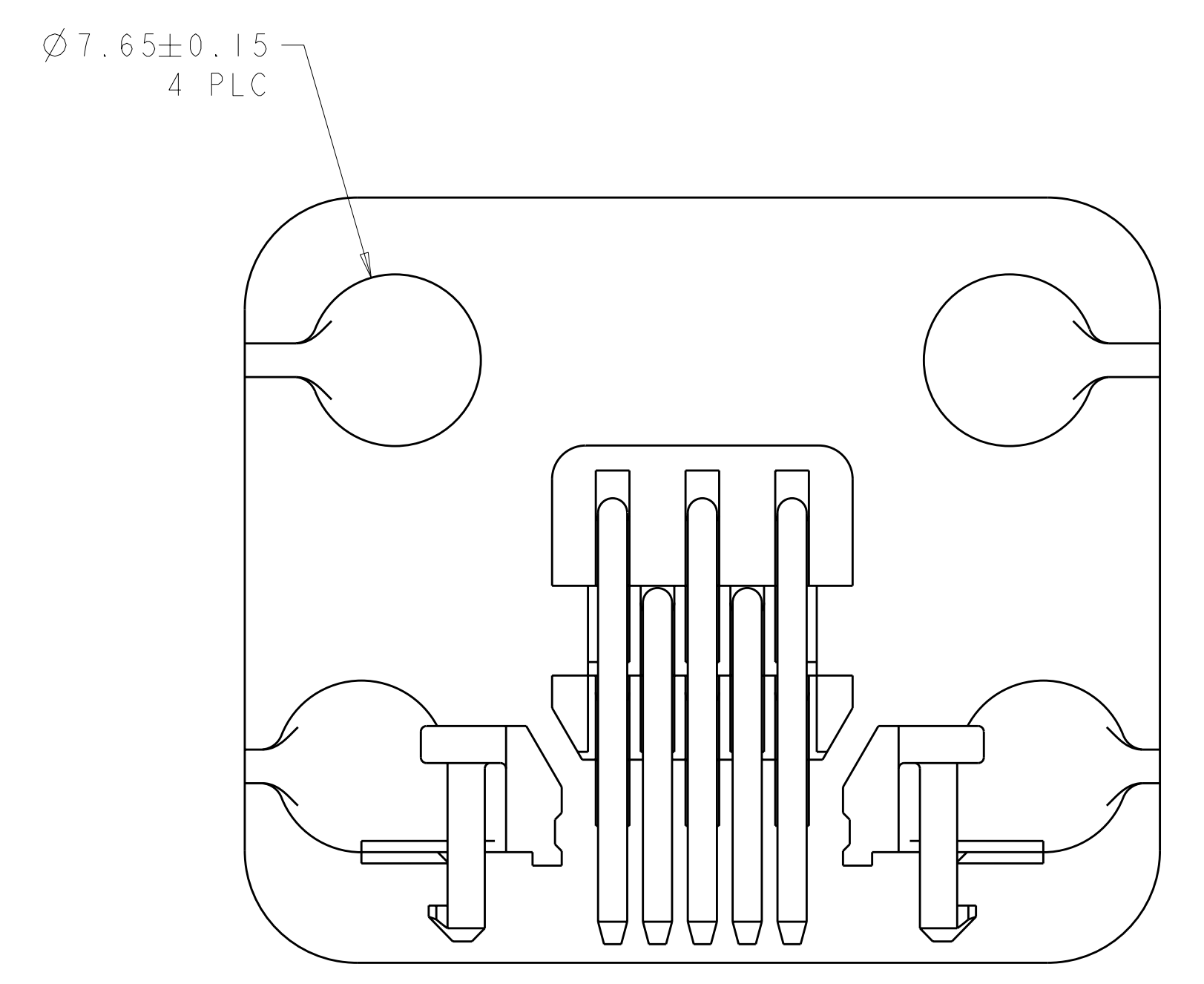
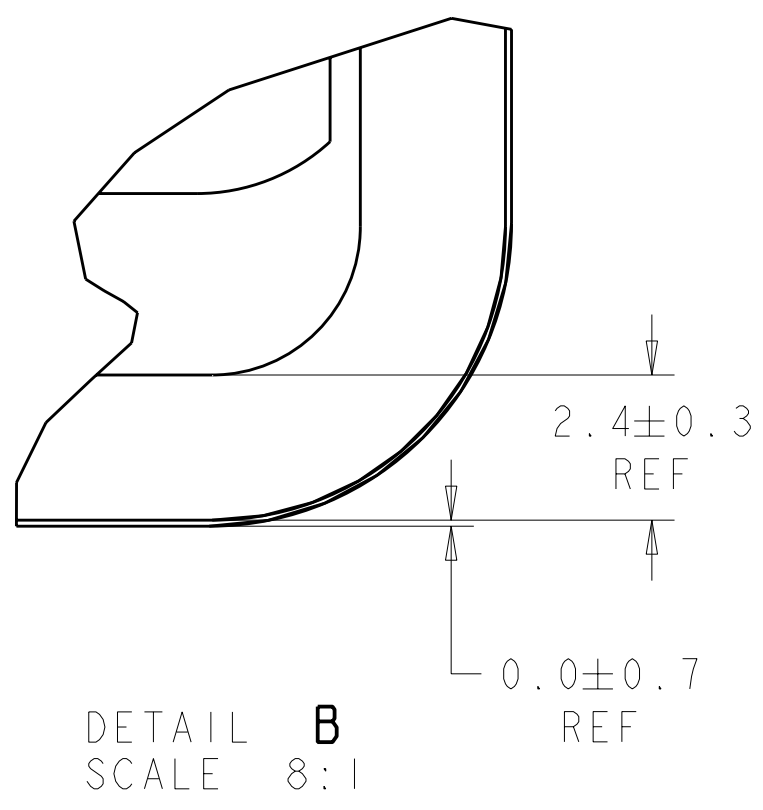
776280-1, 776280-6 & 1-776280-1
 KEY LOCATION
 SCALE 2:1



776280-2 & 1-776280-2
 KEY LOCATION
 SCALE 2:1



SECTION B-B



- ACCEPTS #4-20 THREAD FORMING TWIN HELIX PLASTITE SCREW (SINGLE HELIX OPTIMAL)
- HOUSING COLORS ARE MECHANICALLY KEYED TO MATE ONLY WITH IDENTICALLY COLORED PLUG ASSEMBLIES.
- 0° 30' MAX DRAFT FROM TOP OF HOLE (1° INCLUDED ANGLE)

ASSEMBLY DIMENSIONS APPLY TO 776280-6 ONLY
 (HOLE LAYOUT AND P.C. BOARD LAYOUT SHOWN ON SHEET 1 APPLY TO ALL DASH NUMBERS)

SILICONE	BLACK	TIN PLATED	776280-6
GASKET MATERIAL	HEADER HOUSING COLOR	PIN	PART NUMBER
THIS DRAWING IS A CONTROLLED DOCUMENT.		DWN J. MARKEY 29FEB08 CHK J. MARKEY 29FEB08 APVD J. MARKEY 29FEB08 NAME:	
DIMENSIONS: mm TOLERANCES UNLESS OTHERWISE SPECIFIED: 9 PLC ± 1 PLC ±0.2 5 PLC ±0.13 4 PLC ± ANGLES ±4° FINISH:		PRODUCT SPEC: APPLICATION SPEC: WEIGHT: CUSTOMER DRAWING	
MATERIAL:		SIZE: CAGE CODE: DRAWING NO: A100779C=776280 RESTRICTED TO:	
SCALE 4:1		SHEET 2 OF 2 REV F3	