

High thermal cartridges are characterised by their optimized tip geometries which achieve thermal efficiencies of up to 40%.

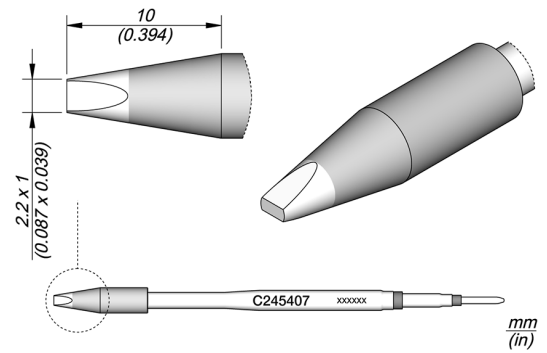
C245 cartridge range is the **widest** one of JBC with many shapes, sizes and special models.

They are appropriate for **general soldering** purposes and they are perfect for both **SMD components** or for applications with high power requirements such as ground plane soldering.

They work with **T245 Handpieces**

JBC Long Life Tips offer instant heat up, excellent heat transfer and great durability.

They last **5 times longer** than other brands thanks to the JBC Most Efficient Soldering System and the Sleep & Hibernation features.



REFERENCES

C245407

SPECIFICATIONS

Net weight 0,006 kg (0.01lb)

WEIGHT AND DIMENSIONS

Package 110 x 12 x 12 mm / 0.02 kg
4.33 x 0.47 x 0.47 in / 0.05 lb