

# JBC

[www.jbctools.com](http://www.jbctools.com)

Product  
website



## INSTRUCTION MANUAL



### **NDKS / NDKP**

Steel Needle Set Case for DPM /  
Tapered Tip Set Case for DPM

This manual corresponds to the following references:

- ND-KS
- ND-KP

## Packing List

Only one of the following two references is included:

### ND-KS



**Steel Needles Set Case**  
for DPM ..... 1 case  
*Includes 16 needles, 2 of each diameter (see page 3)*



**Manual** ..... 1 unit  
Ref. 0027833

### ND-KP

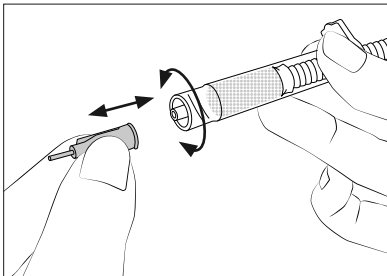


**Tapered Tips Set Case**  
for DPM ..... 1 case  
*Includes 10 needles, 2 of each diameter (see page 3)*

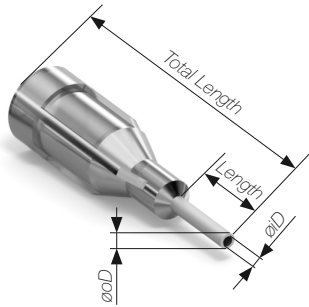


**Manual** ..... 1 unit  
Ref. 0027833

## How to use

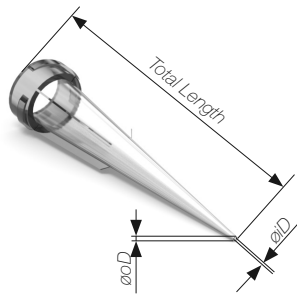


Replace the syringe cap for a stainless steel needle or a tapered tip.



## ND-KS

STYLE	COLOR	SOLDER PASTE	GAUGE	ØID (mm)	ØID (in)	ØOD (mm)	ØOD (in)	LENGTH (mm)	LENGTH (in)	TOTAL LENGTH (mm)	TOTAL LENGTH (in)	Available as ref.
Stainless Steel Needles	Green	Type 2	18	0.84	0.050	1.27	0.033	6.5	0.25	24	0.25	ND18S6
	Pink	Type 3	20	0.61	0.036	0.90	0.024	6.5	0.25	24	0.25	ND20S6
	Purple	Type 3	21	0.51	0.032	0.82	0.020	6.5	0.25	24	0.25	ND21S6
	Blue	Type 3	22	0.41	0.028	0.72	0.016	6.5	0.25	24	0.25	ND22S6
	Orange	Type 3	23	0.31	0.025	0.63	0.013	6.5	0.25	24	0.25	ND23S6
	Plan Red	Type 4	25	0.25	0.020	0.50	0.010	6.5	0.25	24	0.25	ND25S6
	Clear	Type 5	27	0.2	0.016	0.40	0.008	6.5	0.25	24	0.25	ND27S6
Lavender	Type 6	30	0.15	0.012	0.31	0.006	6.5	0.25	24	0.25	ND30S6	



## ND-KP

STYLE	COLOR	SOLDER PASTE	GAUGE	ØID (mm)	ØID (in)	ØOD (mm)	ØOD (in)	LENGTH (mm)	LENGTH (in)	TOTAL LENGTH (mm)	TOTAL LENGTH (in)	Available as ref.
Tapered Tips	Green	Type 2	18	0.84	0.033	1.27	0.050	-	-	32	1.26	ND18P
	Pink	Type 3	20	0.64	0.024	1.20	0.048	-	-	32	1.26	ND20P
	Blue	Type 3	22	0.41	0.016	0.72	0.028	-	-	32	1.26	ND22P
	Red	Type 4	25	0.25	0.010	0.50	0.020	-	-	32	1.26	ND25P
	Clear	Type 5	27	0.2	0.008	0.40	0.016	-	-	32	1.26	ND27P

\* When purchased separately, each ref. contains 10 units.

# Specifications

## **NDKS**

### **Steel Needles Set Case for DPM**

Ref. **ND-KS**

- Total Net Weight: 20.9 g / 0.046 lb
- Package Dimensions/Weight:  
(L x W x H) 90 x 55 x 40 mm / 32.5 g  
3.54 x 2.17 x 1.57 in / 0.072 lb

## **NDKP**

### **Tapered Tips Set Case for DPM**

Ref. **ND-KP**

- Total Net Weight: 18.8 g / 0,014 lb
- Package Dimensions/Weight:  
(L x W x H) 90 x 55 x 40 mm / 30.3 g  
3.54 x 2.17 x 1.57 in / 0.067 lb

Complies with CE standards.

# **JBC**

## **Warranty**

JBC's 2 year warranty covers this equipment against all manufacturing defects, including the replacement of defective parts and labor.

Warranty does not cover product wear or misuse.

In order for the warranty to be valid, equipment must be returned, postage paid, to the dealer where it was purchased.



This product should not be thrown in the garbage.

In accordance with the European directive 2012/19/EU, electronic equipment at the end of its life must be collected and returned to an authorized recycling facility.



[www.jbctools.com](http://www.jbctools.com)

0027833-220126