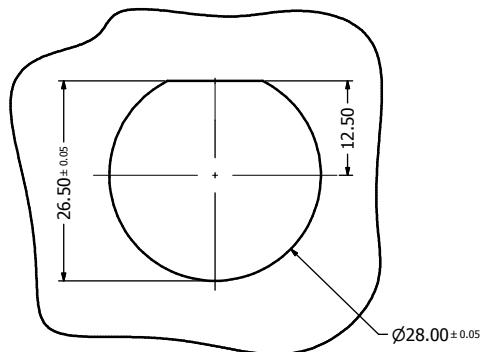


USB 3.0 Type A
Female/Female
Adaptor

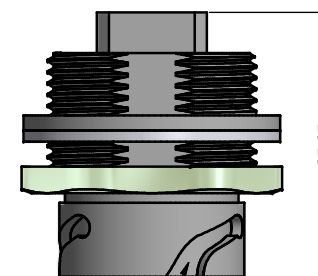
Receptacle Housing
Plastic in different colors
or Metallized Plastic Version
Bayonet Locking Type

Panel Gasket

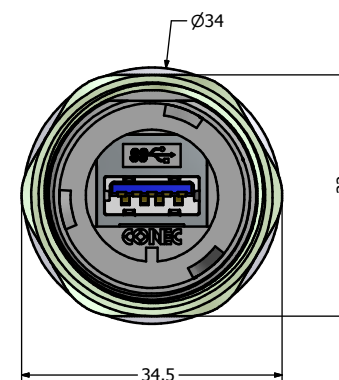
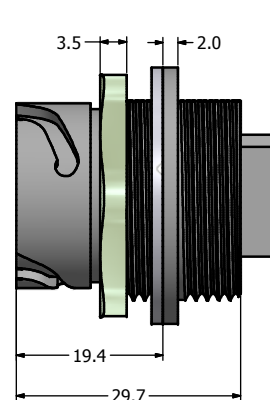
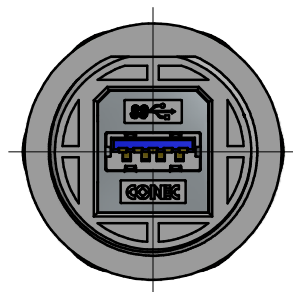
Panel Nut
(M28 x 1.5)



Recommended Panel Cutout



Bayonet Channel x 3



Notes:

- Electrical Specifications:
Meets USB 3.0 specifications
Low level Contact Resistance:
- 30 mOhm max for VBUS and GND Contacts
- 50 mOhm max for all other contacts
Insulation Resistance 1000 MOhm min.
Current Rating: 2A max. @ 25°C
DWV: 500V AC/60s Pin to Pin; 1000V AC/60s Pin to shell
Operating Temperature: -40°C to +85°C

2. Material and Finish:

- Receptacle Housing: Polyester, UL94 V-0, Color: see P/N Table or ABS, Nickel Plated, UL94 V-0
- Panel Nut: Brass, Finish: Nickel Plated
- Panel Gasket: Silicon, Color: White
- USB Plastic Housing: PBT + 15%GF, UL 94V-0, Color: Black
- USB Contact Insulator: High Temperature PBT + GF, UL 94V-0, Color: Blue (Pantone 300C)
- USB Metal Shell: SUS201 with 50u" min. Nickel plating all over
- USB Contact Material: Copper Alloy
- USB Contact Finish: 30u" min. Au over 50u" min. Nickel

- Connector can be front or rear mounted to a maximum panel thickness of 3.2 mm.
- IP67 & IP68 rated when covered or fully mated with the appropriated mating connector

Pin-Assignment

Type A F	Type A F
Pin1 -----	Pin1
Pin2 -----	Pin2
Pin3 -----	Pin3
Pin4 -----	Pin4
Pin5 -----	Pin8
Pin6 -----	Pin9
Pin7 -----	Pin7
Pin8 -----	Pin5
Pin9 -----	Pin6
Shell -----	Shell

RoHS Compliant

Description	Colored Plastic Receptacle Housing with USB 3.0 Type A F/F Adaptor						Metallized Version
Receptacle Housing Color	Black	Blue	Green	Yellow	Red	White	Nickel Plated
Part Number	17-240001	17-240011	17-240021	17-240031	17-240041	17-240051	17-240061

THE DRAWING MAY NOT BE COPIED OR REPRODUCED IN ANY MANNER WITHOUT THE WRITTEN PERMISSION OF CONEC CORPORATION. OWNERSHIP AND COPYRIGHT OF CONEC CORPORATION.	Customer:		Tolerance Unless otherwise specified			Scale:	Dim. in mm
	Name	Title	Approval Date	0 PLC ±0.50 1 PLC ±0.38 2 PLC ±0.25 3 PLC ±0.10 ANGLES ±7			
	Autodesk Inventor		Material: See Notes		Title: IP67 & IP68 USB3.0 Receptacle Assembly Kit with USB 3.0 Type A F/ F Adaptor		
	2016	Date	Name	Drawing No.: 17K1A556			
Draw. Mar. 03 Vincent Ke Appd. Mar. 03 Thomas Koch		Norm D-old		Part No.: SEE PART NUMBER TABLE			
Rev. Changes Date Name				Drawing No.: 17K1A556			DIN A3 Sheet 1/1