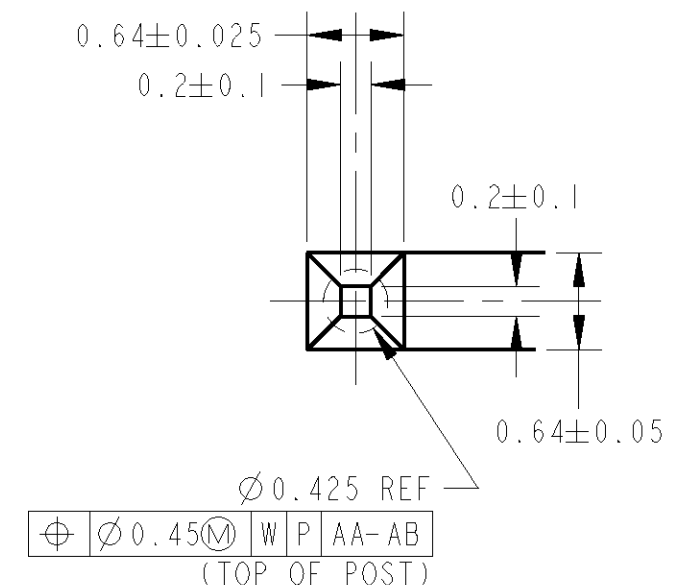
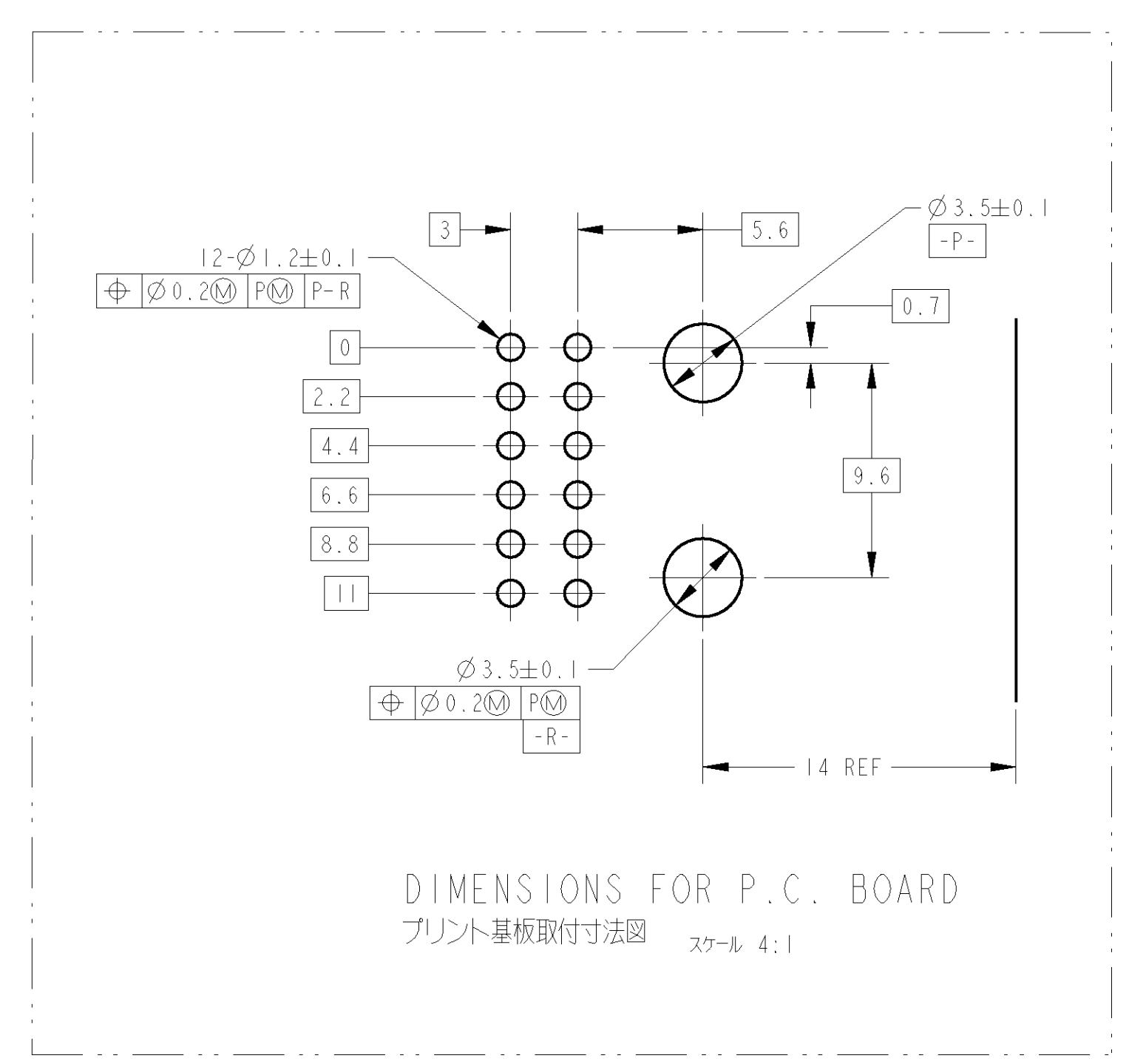
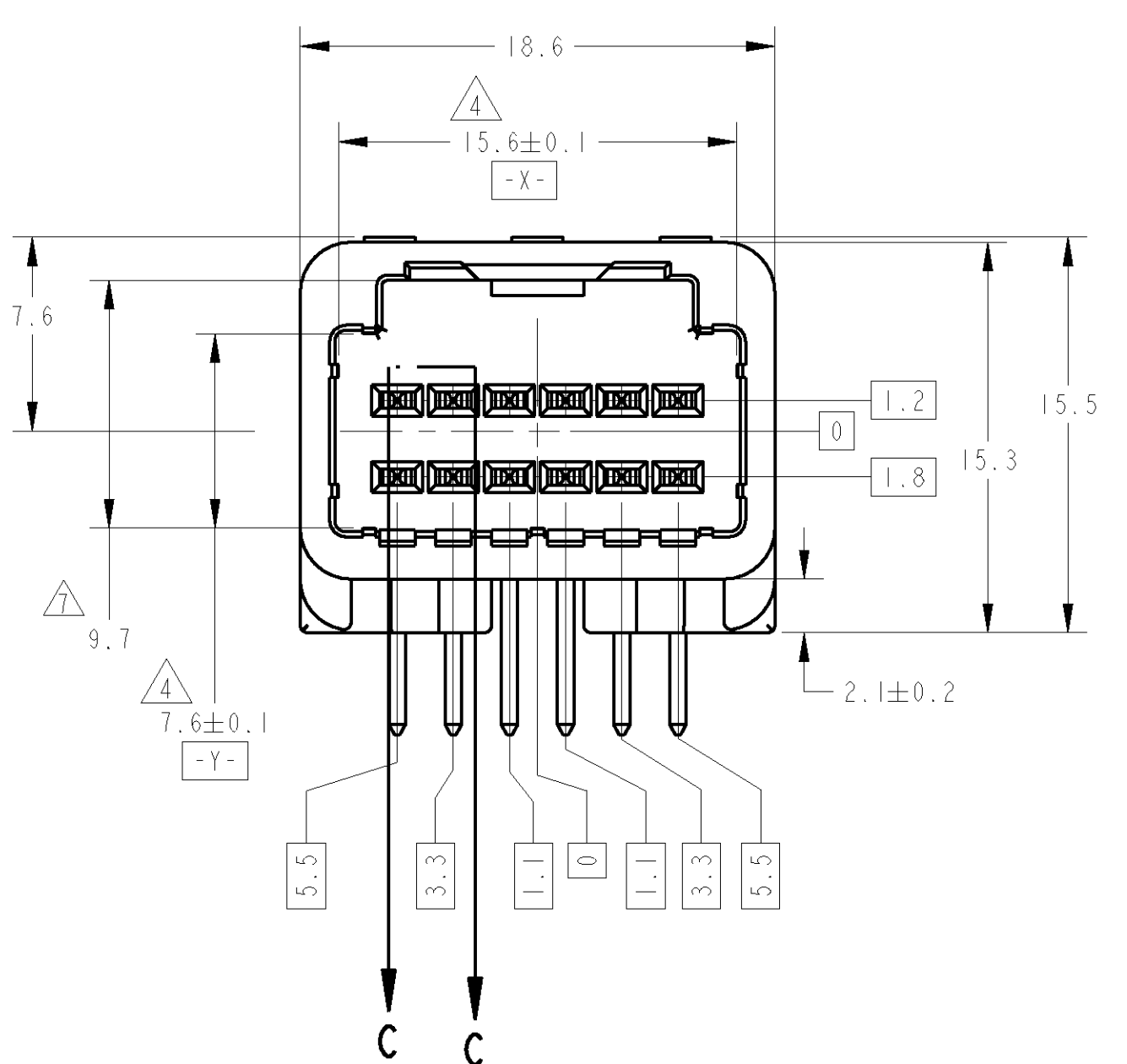
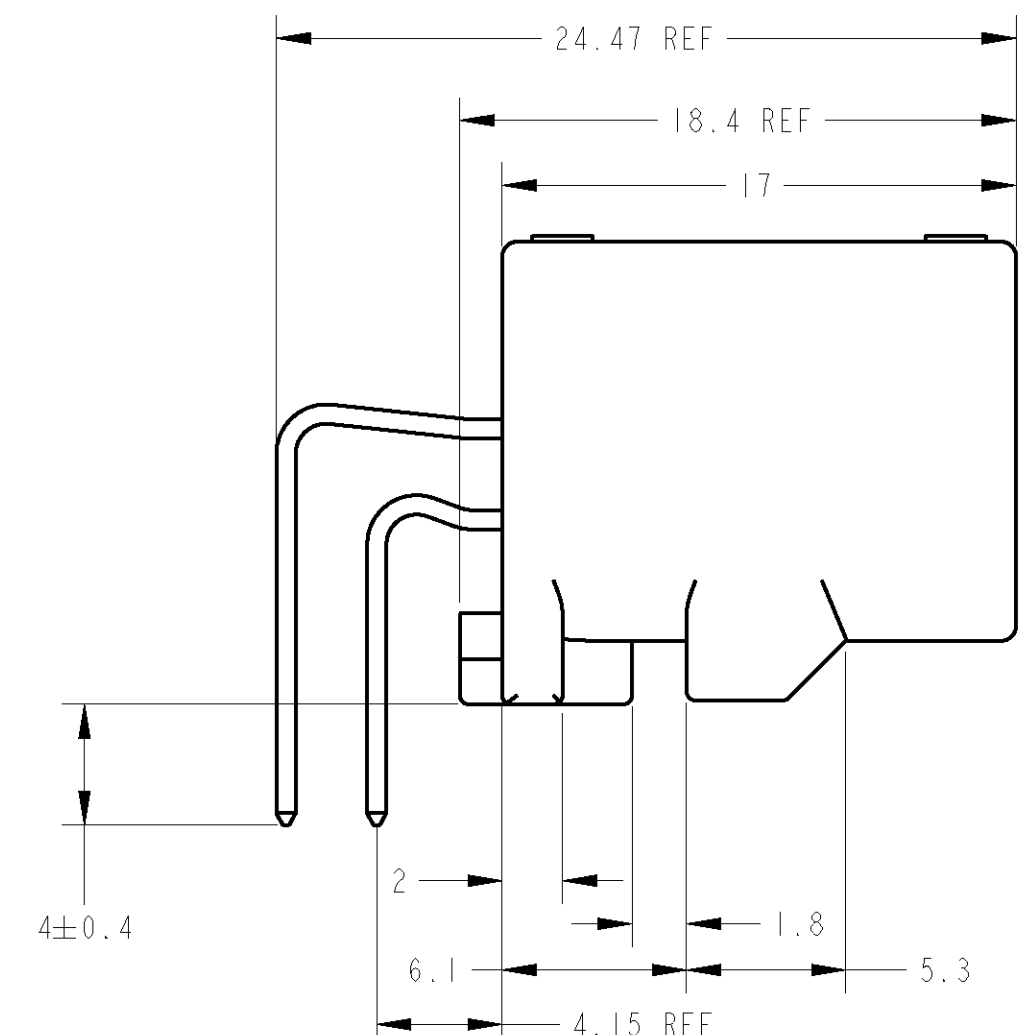
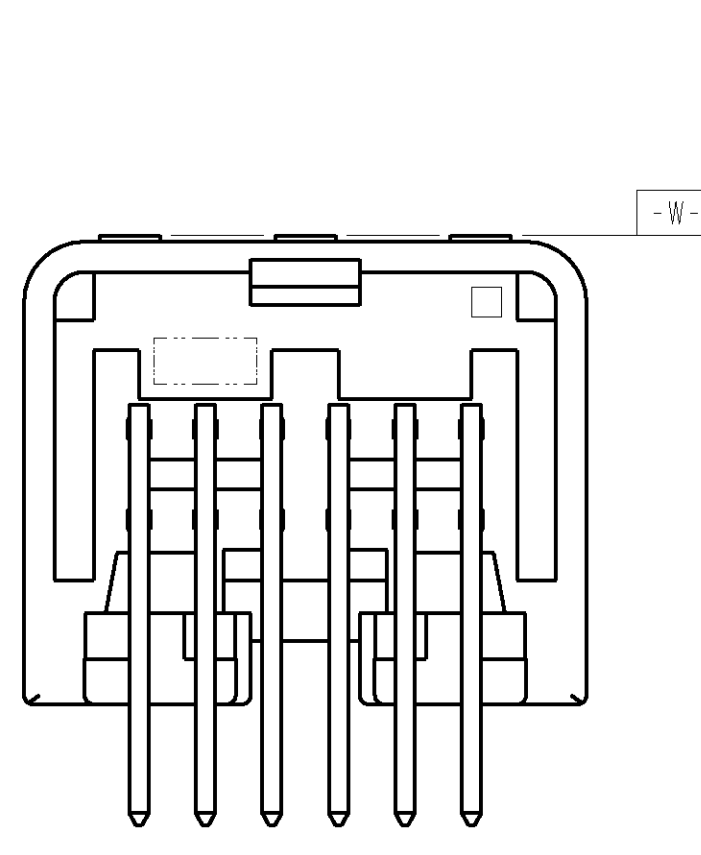


REV. NO.		REVISIONS			
REV.	DATE	DESCRIPTION	ECN	DATE	BY
G		REVISED	ECR-08-016739	10JUL08	KF HY
H		REVISED	ECR-08-028117	10NOV08	TS KB



DETAIL B
SCALE 20:1

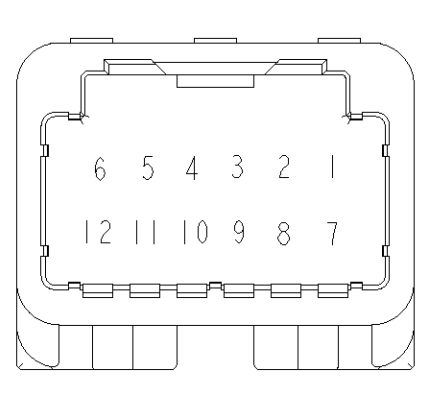
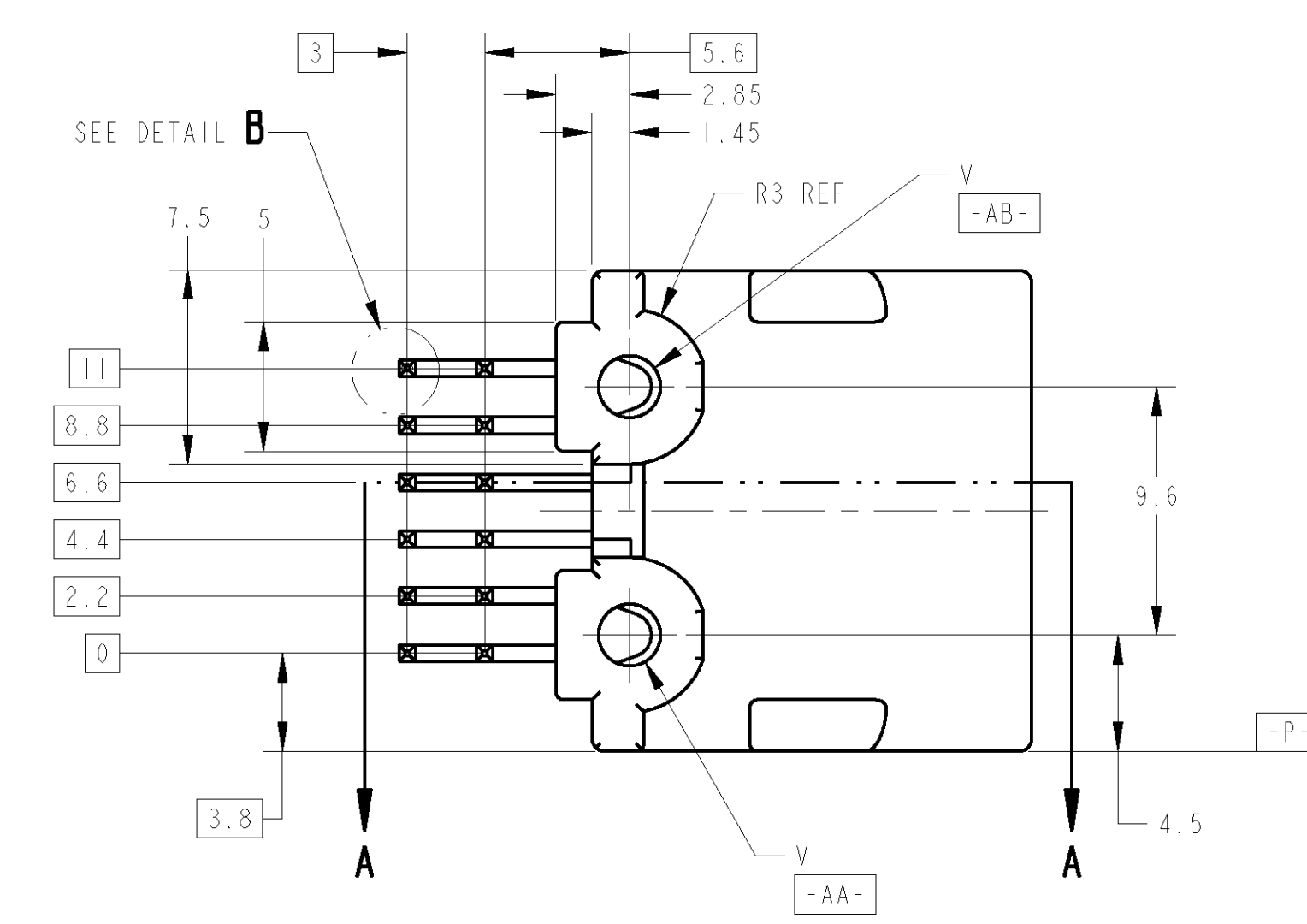
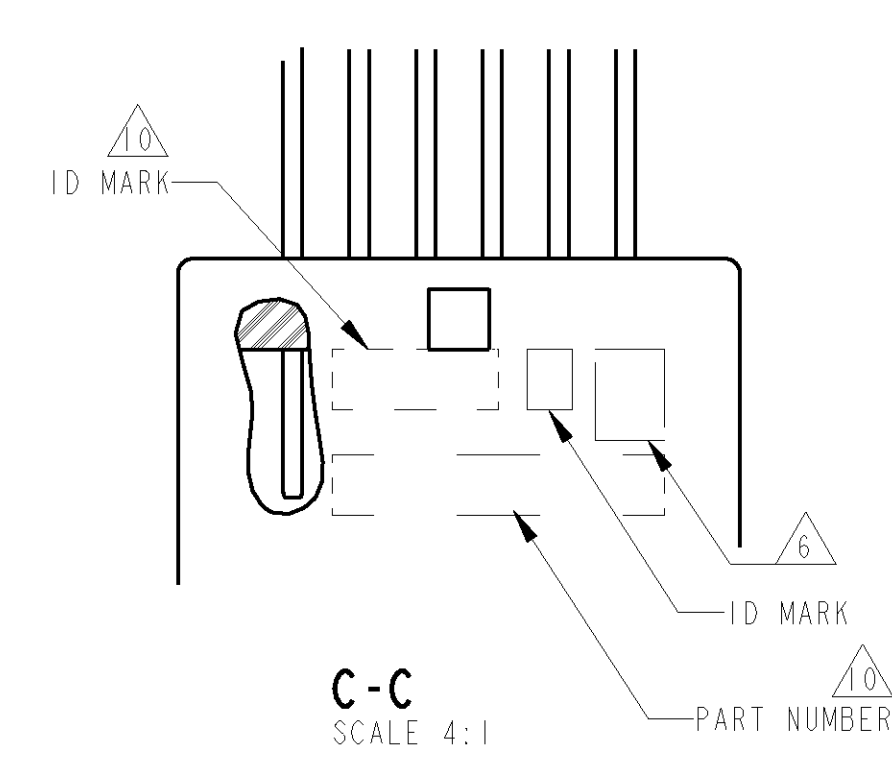


TABLE - 1

POS 種類	PLUG HOUSING PART NO	プラグハウジング 型番
12	1318774	
	1376675	
	1717106	
	1746872	

FIG. 1 回路図
CIRCUIT NUMBER

POS	種類	径	材質	形状	位置	鍍金	鍍金	基板	色	部品番号
12	3.2	∅2.63	CARTON BOX	PLASTIC TUBE	1~12	SELECTIVE TIN (MATTE)	SELECTIVE GOLD	SPS GF17	BLACK	2-1318772-4
11	3.7	∅2.4	PLASTIC BOX	PLASTIC TUBE	1~9, 11, 12	SELECTIVE TIN (MATTE)	SELECTIVE GOLD	PBT GF15	BLACK	2-1318772-3
10	3.7	∅2.4	CARTON BOX	PLASTIC TUBE	1~12	SELECTIVE TIN (MATTE)	SELECTIVE TIN (BRIGHT)	PBT GF15	NATURAL	2-1318772-2
62	3.7	∅2.4	CARTON BOX	PLASTIC TUBE	1~12	SELECTIVE TIN (MATTE)	SELECTIVE GOLD	PBT GF15	BLACK	6318772-5
62	3.7	∅2.4	PLASTIC BOX	PLASTIC TUBE	1~12	SELECTIVE TIN (MATTE)	SELECTIVE GOLD	PBT GF15	BLACK	6318772-4
62	3.7	∅2.4	PLASTIC BOX	PLASTIC TUBE	1~12	SELECTIVE TIN (MATTE)	SELECTIVE GOLD	PBT GF15	NATURAL	6318772-3
10	3.7	∅2.4	CARTON BOX	PLASTIC TUBE	1~12	SELECTIVE TIN (MATTE)	SELECTIVE TIN (BRIGHT)	PBT GF15	BLACK	2-1318772-1
10	3.7	∅2.4	PLASTIC BOX	PLASTIC TUBE	1~12	SELECTIVE TIN (MATTE)	SELECTIVE TIN (BRIGHT)	PBT GF15	BLACK	2-1318772-0
8	3.2	∅2.63	CARTON BOX	PLASTIC TUBE	1~12	SELECTIVE TIN (MATTE)	SELECTIVE GOLD	SPS GF17	NATURAL	1-1318772-9
6	3.2	∅2.63	CARTON BOX	PLASTIC TUBE	1~12	SELECTIVE TIN (MATTE)	SELECTIVE TIN (BRIGHT)	SPS GF17	BLACK	1-1318772-8
6	3.2	∅2.63	PLASTIC BOX	PLASTIC TUBE	1~12	SELECTIVE TIN (MATTE)	SELECTIVE TIN (BRIGHT)	SPS GF17	BLACK	1-1318772-7
6	3.2	∅2.63	PLASTIC BOX	PLASTIC TUBE	1~12	SELECTIVE TIN (MATTE)	SELECTIVE TIN (BRIGHT)	SPS GF17	NATURAL	1-1318772-6
9	3.2	∅2.63	PLASTIC BOX	PLASTIC TUBE	1~9, 11, 12	SELECTIVE TIN (MATTE)	SELECTIVE GOLD	SPS GF17	BLACK	1-1318772-5
8	3.2	∅2.63	PLASTIC BOX	PLASTIC TUBE	1~12	SELECTIVE TIN (MATTE)	SELECTIVE GOLD	SPS GF17	NATURAL	1-1318772-4
6	3.2	∅2.63	CARTON BOX	PLASTIC TUBE	1~12	SELECTIVE TIN (MATTE)	SELECTIVE TIN (BRIGHT)	SPS GF17	NATURAL	1-1318772-3
5	3.7	∅2.4	PLASTIC BOX	PLASTIC TUBE	1~9, 11, 12	SELECTIVE TIN	SELECTIVE GOLD	PBT GF15	BLACK	1-1318772-2
4	3.7	∅2.4	CARTON BOX	PLASTIC TUBE	1~12	SELECTIVE TIN	SELECTIVE GOLD	PBT GF15	BLACK	1-1318772-0
4	3.7	∅2.4	CARTON BOX	PLASTIC TUBE	1~12	SELECTIVE TIN	SELECTIVE GOLD	PBT GF15	NATURAL	1318772-9
3	3.7	∅2.4	CARTON BOX	PLASTIC TUBE	1~12	SELECTIVE TIN	PRE-TIN	PBT GF15	BLACK	1318772-8
1	3.7	∅2.4	PLASTIC BOX	PLASTIC TUBE	1~12	SELECTIVE TIN	PRE-TIN	PBT GF15	BLACK	1318772-7
2	3.7	∅2.4	CARTON BOX	PLASTIC TUBE	1~12	TIN-LEAD	SELECTIVE GOLD	PBT GF15	NATURAL	1318772-6
2	3.7	∅2.4	CARTON BOX	PLASTIC TUBE	1~12	TIN-LEAD	SELECTIVE GOLD	PBT GF15	BLACK	1318772-5
2	3.7	∅2.4	PLASTIC BOX	PLASTIC TUBE	1~12	TIN-LEAD	SELECTIVE GOLD	PBT GF15	BLACK	1318772-4
2	3.7	∅2.4	PLASTIC BOX	PLASTIC TUBE	1~12	TIN-LEAD	SELECTIVE GOLD	PBT GF15	NATURAL	1318772-3
1	3.7	∅2.4	CARTON BOX	PLASTIC TUBE	1~12		PRE-TIN	PBT GF15	NATURAL	1318772-2
1	3.7	∅2.4	PLASTIC BOX	PLASTIC TUBE	1~12		PRE-TIN	PBT GF15	NATURAL	1318772-1
MARKING	WEIGHT (g)	v	PACKING STYLE	CIRCUIT NO.	CONTACT FINISH	HOUSING	MATERIAL	COLOR	PART NUMBER	



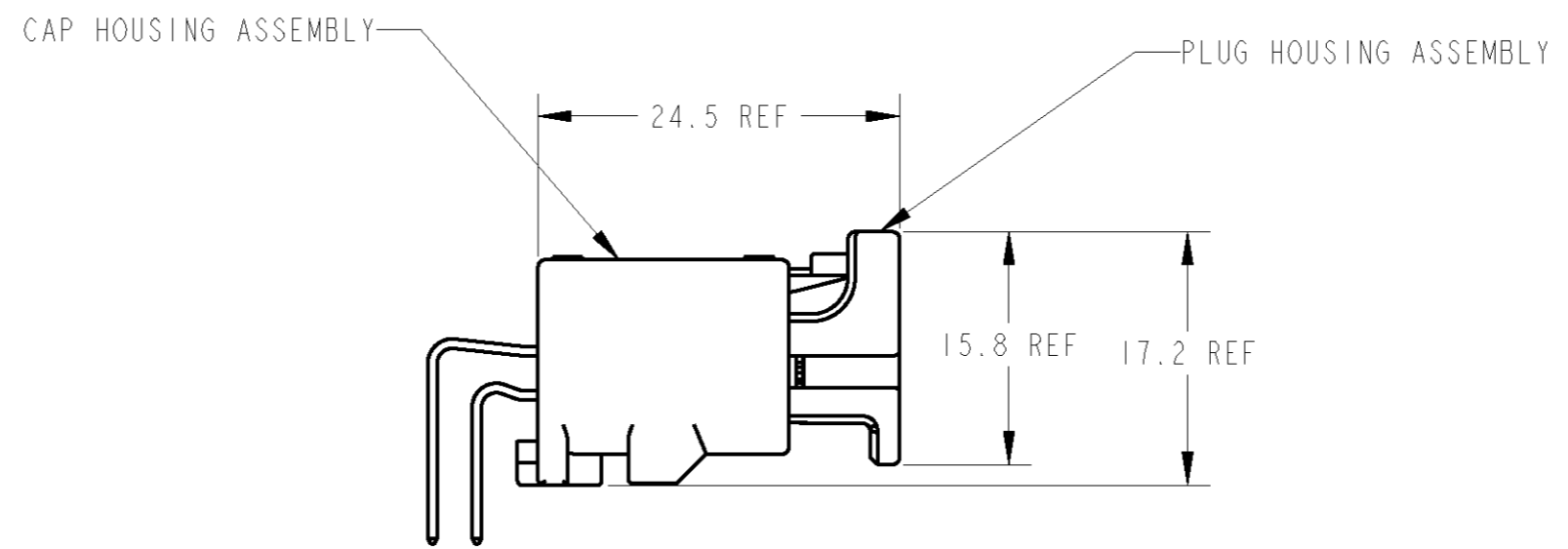
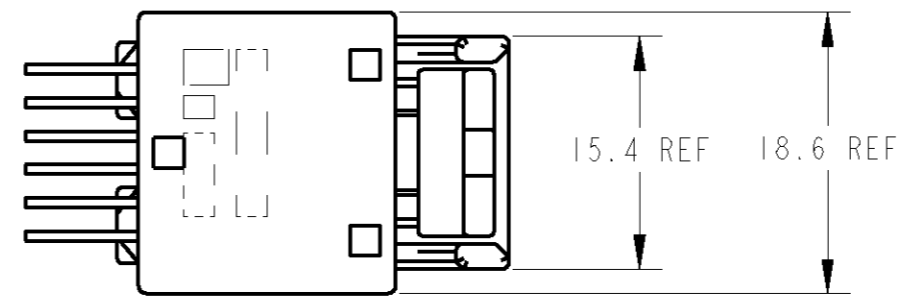
1. 適合相手ハウジングは TABLE -1 参照
プラグハウジングアッセンブリと互換性よく適合すること
2. 推奨部品は: JIS B1115, B1122 タッピングねじ
5ヶ穴 径φ3mm 長さ 5mm (参考値) : 0.392N・m REF
3. ねじ締めトルク (参考値) : 0.392N・m REF
4. 適合相手ハウジングは TABLE -1 参照
プラグハウジングアッセンブリと互換性よく適合すること
5. 推奨部品は: JIS B1115, B1122 タッピングねじ
5ヶ穴 径φ3mm 長さ 5mm (参考値) : 0.392N・m REF
6. ねじ締めトルク (参考値) : 0.392N・m REF
7. 適合相手ハウジングは TABLE -1 参照
プラグハウジングアッセンブリと互換性よく適合すること
8. 推奨部品は: JIS B1115, B1122 タッピングねじ
5ヶ穴 径φ3mm 長さ 5mm (参考値) : 0.392N・m REF
9. ねじ締めトルク (参考値) : 0.392N・m REF
10. 適合相手ハウジングは TABLE -1 参照
プラグハウジングアッセンブリと互換性よく適合すること
11. 推奨部品は: JIS B1115, B1122 タッピングねじ
5ヶ穴 径φ3mm 長さ 5mm (参考値) : 0.392N・m REF
12. ねじ締めトルク (参考値) : 0.392N・m REF

TABLE - 2

プリント基板板厚 (mm)	THICKNESS OF PCB (mm)	1.2	1.6
取付用ねじの長さ (mm) <td>NOMINAL LENGTH OF SCREW (mm)</td> <td>5</td> <td>6</td>	NOMINAL LENGTH OF SCREW (mm)	5	6

THIS DRAWING IS UNPUBLISHED. RELEASED FOR PUBLICATION
 © COPYRIGHT 2000 BY AMP INCORPORATED. ALL RIGHTS RESERVED.

LOC J	DIST ---	REVISIONS 変更			
P	LTR	DESCRIPTION	ECN	DATE	APVD
		SEE 1 OF 2			



CAP ASSEMBLY & PLUG ASSEMBLY ENGAGEMENT DRAWING
 キャップアッセンブリ & プラグアッセンブリ 嵌合図

THIS DRAWING IS A CONTROLLED DOCUMENT FOR AMP INCORPORATED. IT IS SUBJECT TO CHANGE AND THE CONTROLLING ENGINEERING ORGANIZATION SHOULD BE CONTACTED FOR THE LATEST REVISION.		DWN Y. NOGUCHI 07FEB00	Tyco Electronics AMP K.K. Kawasaki, Japan			
DIMENSIONS: 単位: 丸 mm	TOLERANCES UNLESS OTHERWISE SPECIFIED: 一般公差 ±0.3 ±3°	CHK S. SHINDOU 07FEB00	NAME 名称 025 SERIES 12 POSITION(PCB H-TYP) CAP HOUSING ASSEMBLY			
		APVD N. SAI 07FEB00				
MATERIAL 材料	FINISH 仕上	PRODUCT SPEC 製品規格 SEE 1 OF 2	SIZE A3	CAGE CODE 00779	DRAWING NO 番号 C=1318772	RESTRICTED TO -
		SEE 1 OF 2	WEIGHT SEE 1 OF 2	SCALE 尺度 2:1		SHEET 2 OF 2
		CUSTOMER DRAWING				