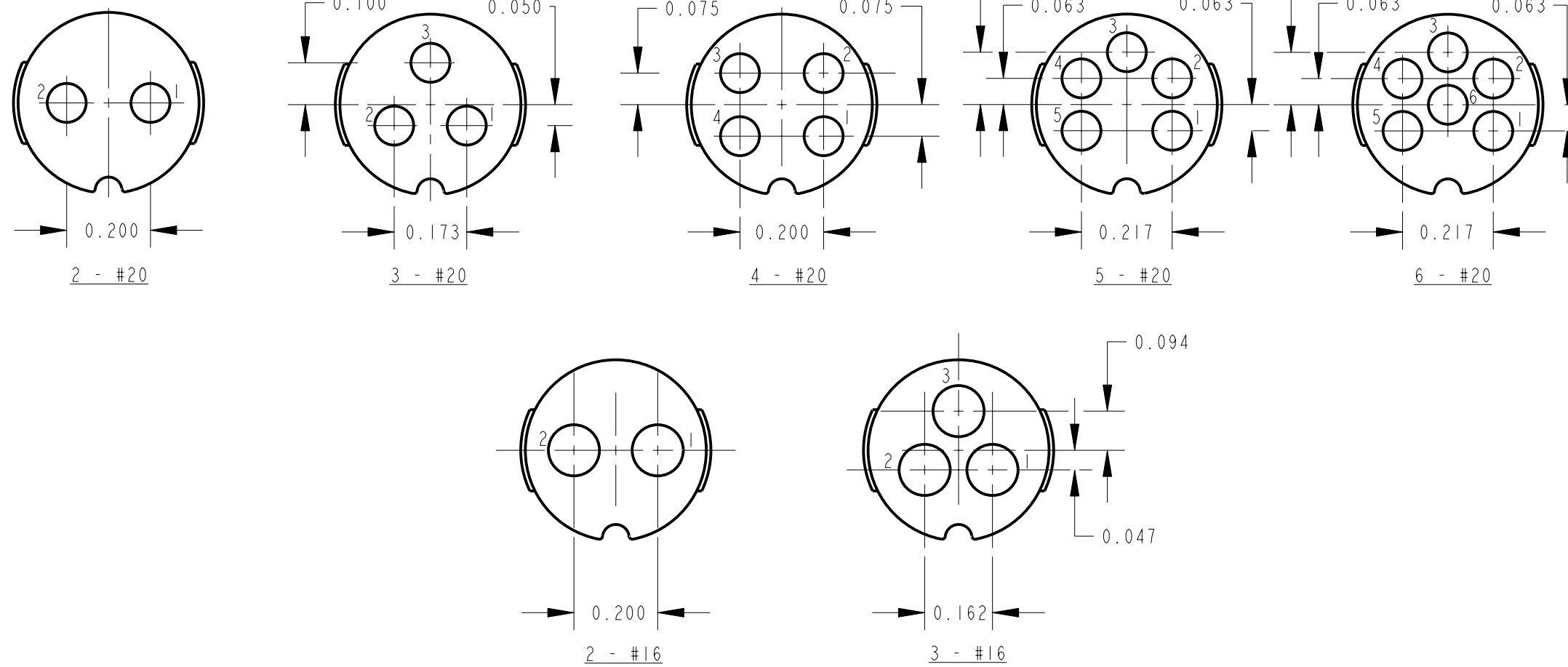
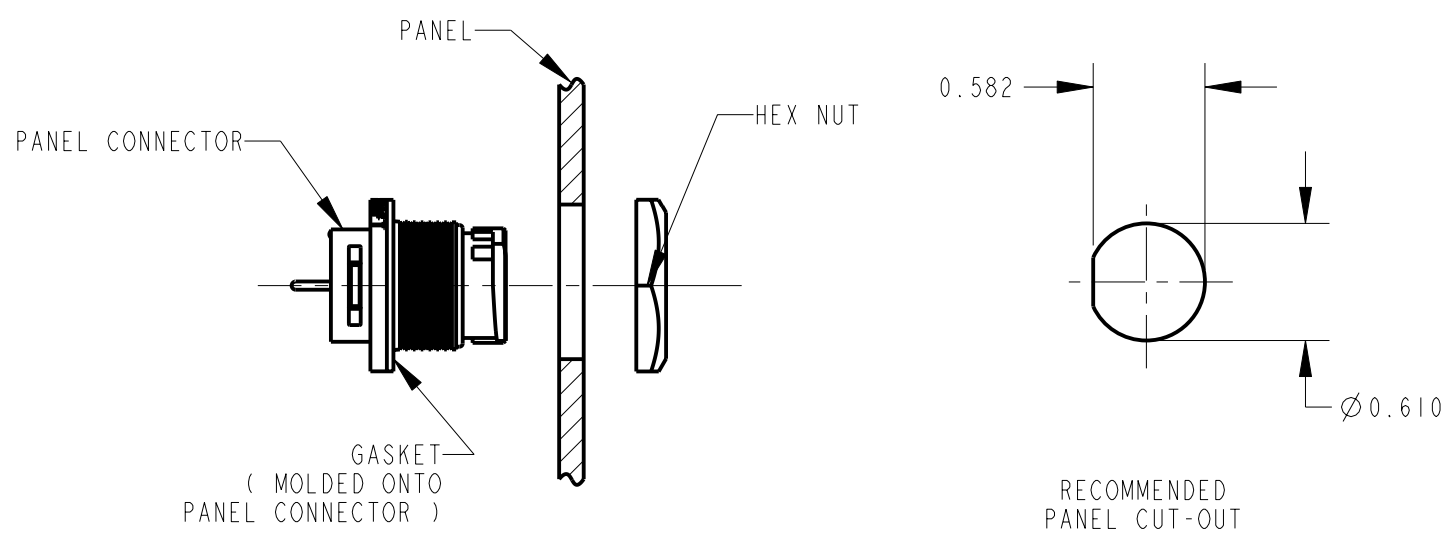


SWITCHCRAFT PANEL CONNECTOR ASSEMBLY INSTRUCTIONS

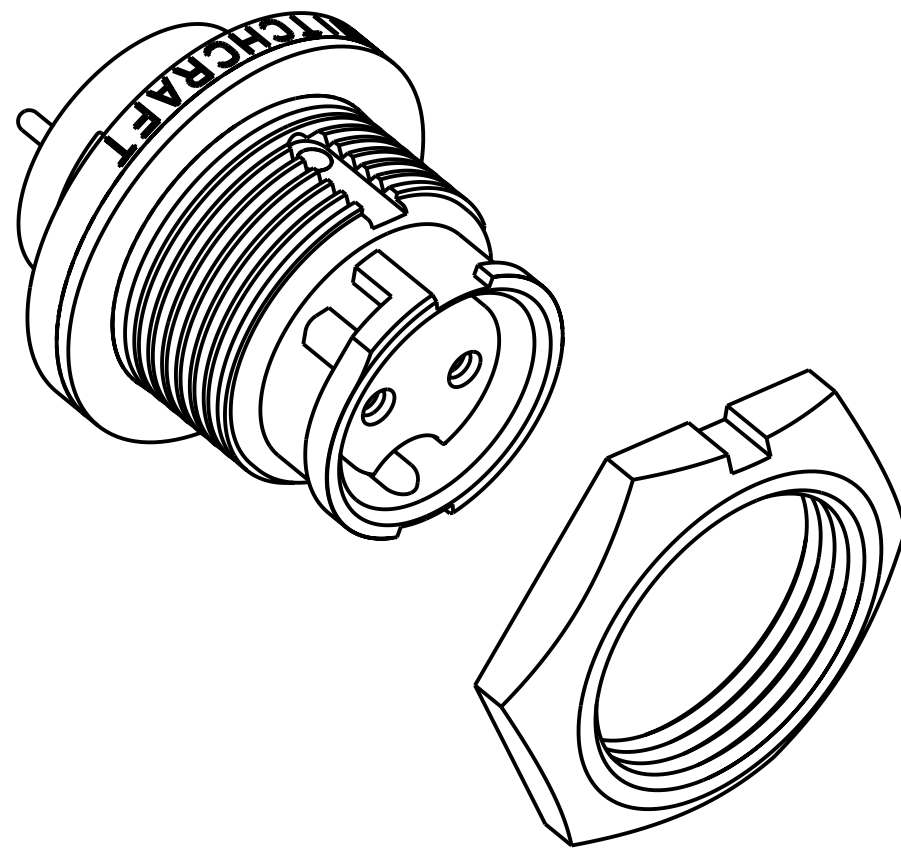


SPECIFICATIONS

MECHANICAL:
 SHOCK: MIL-STD 202 METHOD 213B, COND. K.
 VIBRATION: MIL-STD 202 METHOD 201
 LIFE: 300 INSERTION/WITHDRAWAL CYCLES (MINIMUM)

ELECTRICAL
 DIELECTRIC WITHSTANDING VOLTAGE: 1,000 VAC
 INSULATION RESISTANCE: 100 MEGOHMS (MIN) AT 77°F
 CONTACT RESISTANCE: 5.0 MILLOHMS MAX.
 CURRENT RATING: 7.5 AMPS (#20 CONTACT)
 13.0 AMPS (#16 CONTACT)

ENVIRONMENTAL
 TEMPERATURE LIMITS: -40°C TO +65°C (NON-OPERATING)
 MOISTURE RESISTANCE: MIL-STD 202 METHOD 106F
 INSULATION RESISTANCE: MIL-STD 202 METHOD 302, COND. B
 THERMAL SHOCK: MIL-STD 202 METHOD 107G
 SALT SPRAY: MIL-STD 202 METHOD 101D, COND. B
 WATER TIGHTNESS TEST: U.S. COAST GUARD CFR 46 PART 110.20



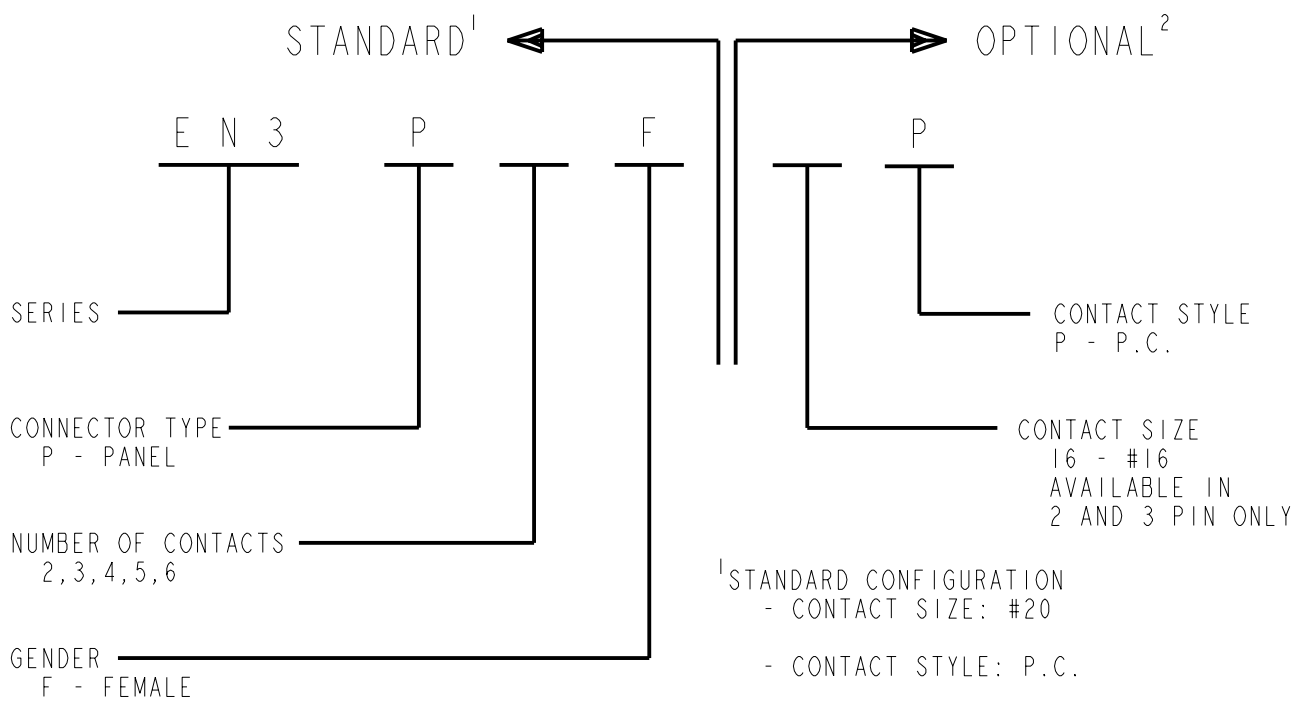
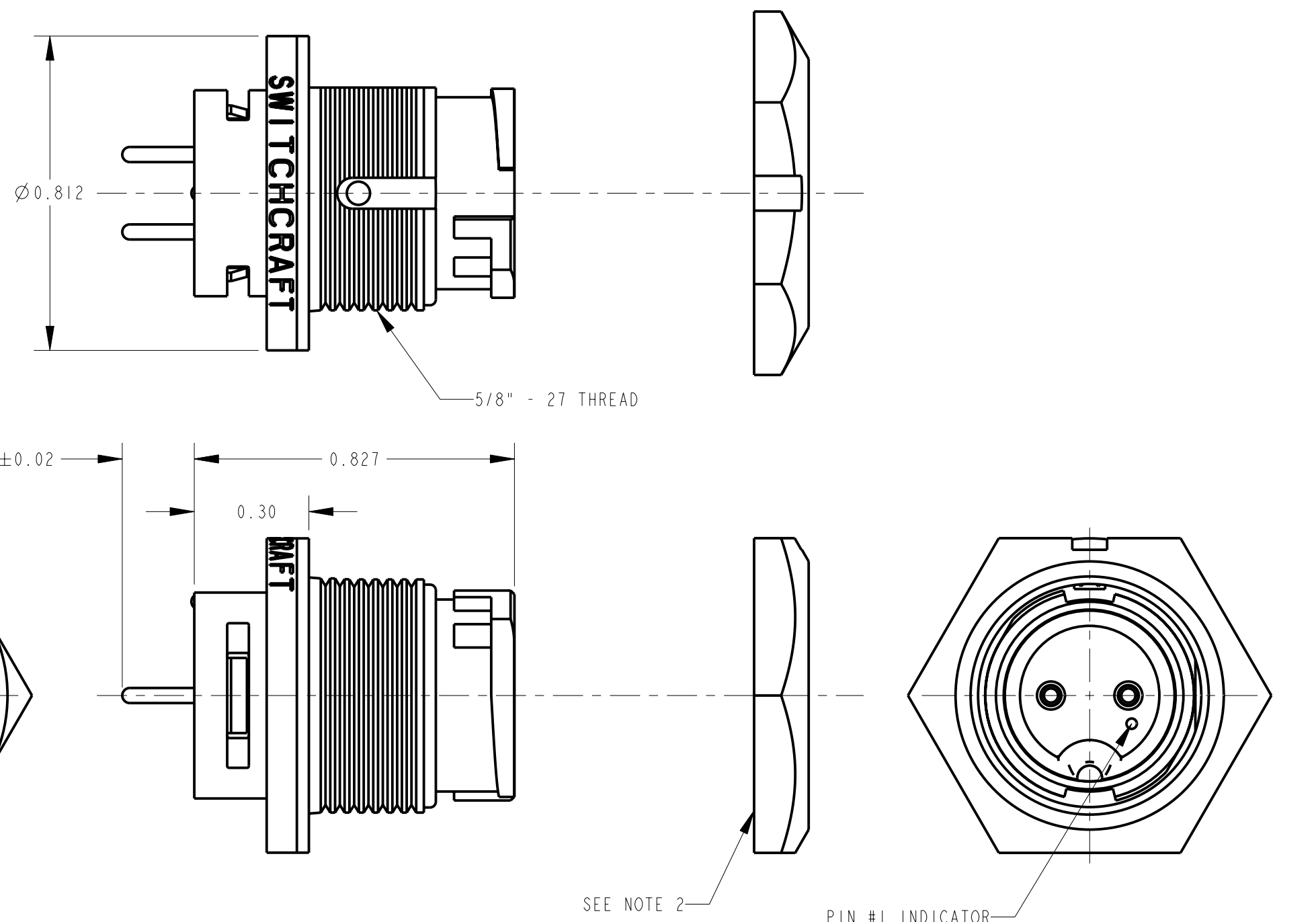
HOLE LAYOUTS VIEWED FROM FRONT OF CONNECTOR
 RECOMMENDED HOLE SIZE: #20 CONTACT: .046" DIA.
 #16 CONTACT: .055" DIA.

MATERIALS:
 PANEL CONNECTOR SHELL, CONTACT LOCKING DISC:
 THERMOPLASTIC POLYMER GLASS FIBER, FLAME RETARDANT

CONNECTOR SHELL INTERIOR:
 THERMOPLASTIC RUBBER

CONTACTS: COPPER BASE ALLOY GOLD-PLATED
 OVER NICKEL UNDERPLATE

HEX NUT: THERMOPLASTIC



NOTES:

- HEX NUT TORQUE:
8 TO 10 INCH-LBS. OF TORQUE
(MUST NOT EXCEED 10 INCH-LBS.)
- HEX NUT SHIPPED UNASSEMBLED.

REV	ECO NUMBER	DATE	BY	APVD
E	24661	3-4-04	JL	EB
D	23595	2-5-01	JL	DK
C	22232	2-20-98	SG	SC
B	ECO #21461	12-9-96	MM	FL
A	RELEASE TO MFG. ECO #21376	9-18-96	SG	FL

★ STAR SYMBOL DENOTES CRITICAL DIMENSION				
UNLESS OTHERWISE SPECIFIED				
1. ALL DIMENSIONS IN INCHES - TWO PLACE DECIMALS ±0.01 - THREE PLACE DECIMALS ±0.005 - ANGLES ±1° - ALL DIA. CONCENTRIC WITHIN 0.005 T.I.R.				
2. FEATURES ON THE SAME CENTERLINE MUST BE ALIGNED WITHIN ±0.002				
3. REMOVE ALL BURRS				

SIZE	WIDTH	MULT	LBS/M	TEMPER
FINISH SPEC No.				
FIRST USED ON		SCALE 3:1		
DATE DRAWN	BY	CHKD	APVD	
3-8-96	CCB	CCB	FL	
NAME			PART No.	
FEMALE PANEL CONNECTOR			EN3P_F_P	

