

C245796 Drag Cartridge 2.2 x 0.75

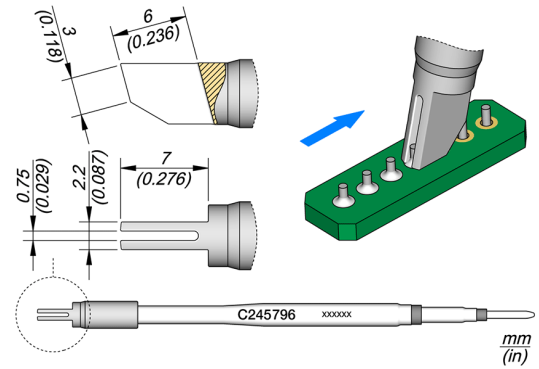
This is a special cartridge for **through hole drag soldering**. **C245 cartridge** range is the **widest** one of JBC with many shapes, sizes and special models.

They are appropriate for **Through-Hole drag soldering components** or for applications with high power requirements such as ground plane soldering.

They work with **T245 Handpieces**

JBC Long Life Tips offer instant heat up, excellent heat transfer and great durability.

They last **5 times longer** than other brands thanks to the JBC Most Efficient Soldering System and the Sleep & Hibernation features.

**REFERENCES**

C245796

SPECIFICATIONS

Net weight 0,008 kg (0.02lb)

WEIGHT AND DIMENSIONS

Package 110 x 12 x 12 mm / 0.02 kg
4.33 x 0.47 x 0.47 in / 0.05 lb