
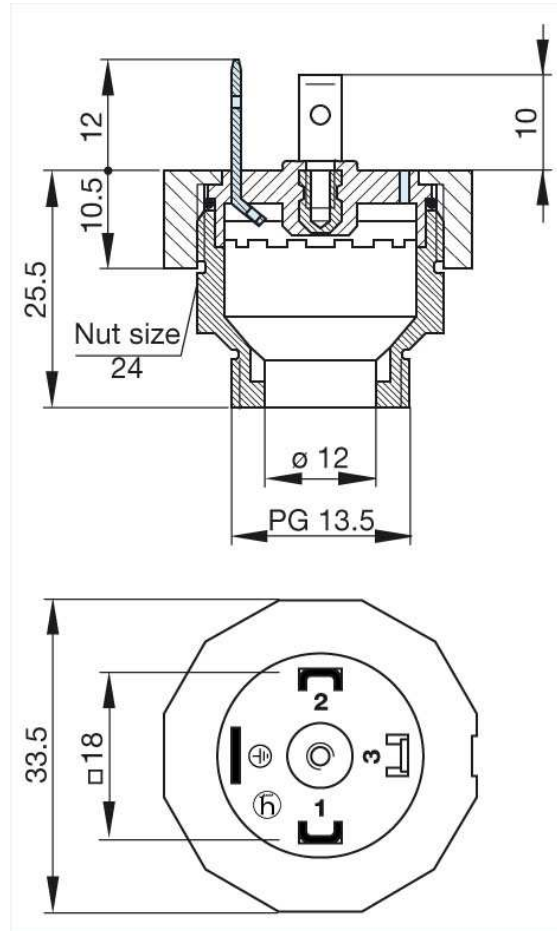




Product information
GSP 213 PG13,5 schwarz/black
931 298-003

Name	
GSP 213 PG13,5 schwarz/black	
	
appliance connector with thread, appliance connector, threaded sleeve, grip ring, o-ring (NBR)	
Delivery informations	
Availability	available
Product description	
Description	appliance connector with thread, appliance connector, threaded sleeve, grip ring, o-ring (NBR)
Type	GSP 213 PG13,5 schwarz/black
Order No.	931 298-003
Number of contacts	2 + PE
Cable gland	PG 13.5
Standard	DIN EN 175 301-803-A
Housing Color	black
Construction type	A
Technical data	
Rated voltage	AC/DC 400 V
Rated current	16 A
Contact resistance	<= 4 mOhm
Type of termination	solder
Mounting	screw
Material	
Contact surface material	Sn
Contact bearer material	PA
Housing material	PA
Environmental conditions	
Protection class (IEC 60529)	IP 65 (gasket necessary) (mated)
Pollution severity	3
Temperature range	-40 °C to +125 °C
Inflammability class	
Contact bearer	94 HB
Approvals	
VDE	VDE
SEV	SEV
Packing unit	
Packaging unit	200 pieces

Picture
Drawing



The information published has been compiled as carefully as possible. It is subject to alteration without notice in technical as well as in price related/commercial respect.