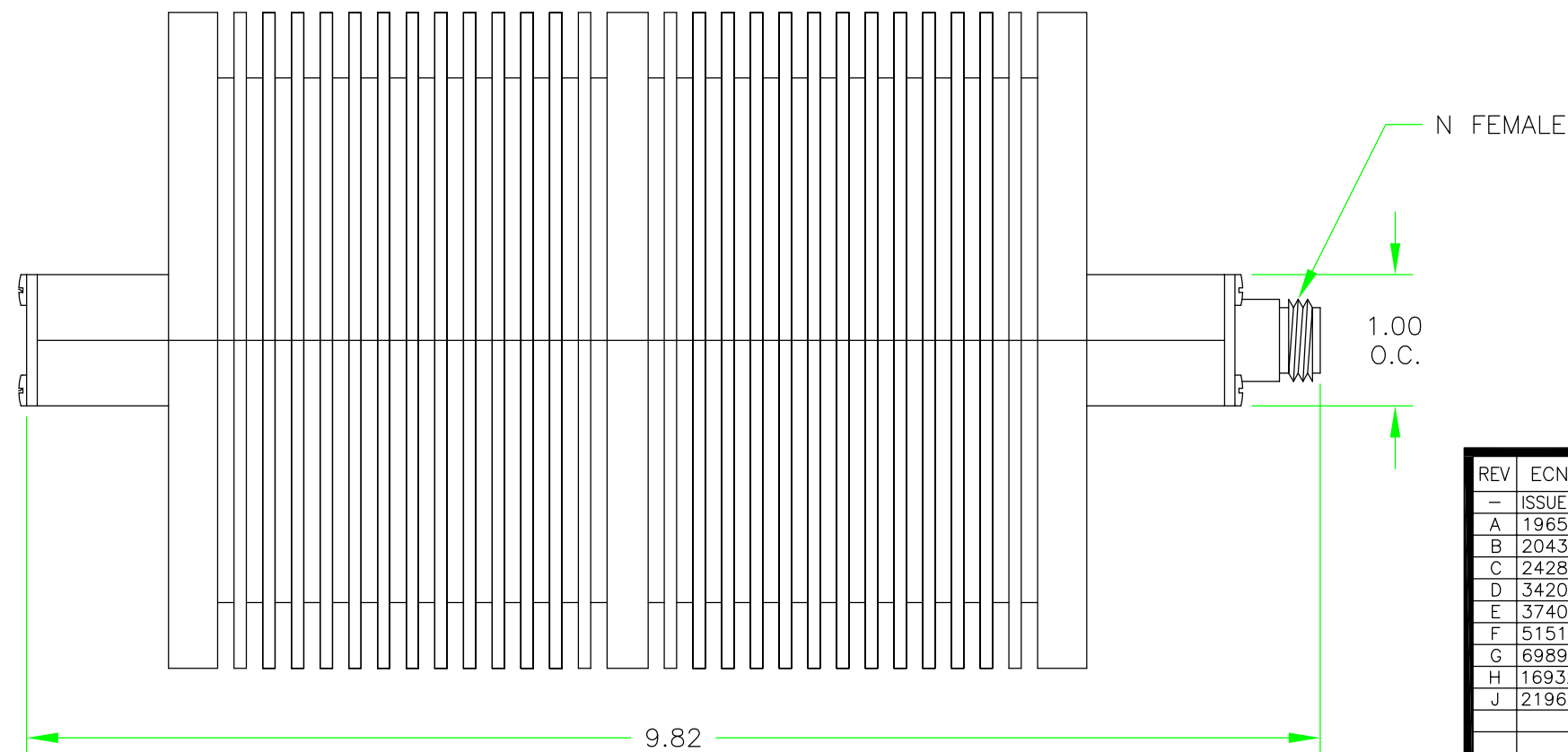
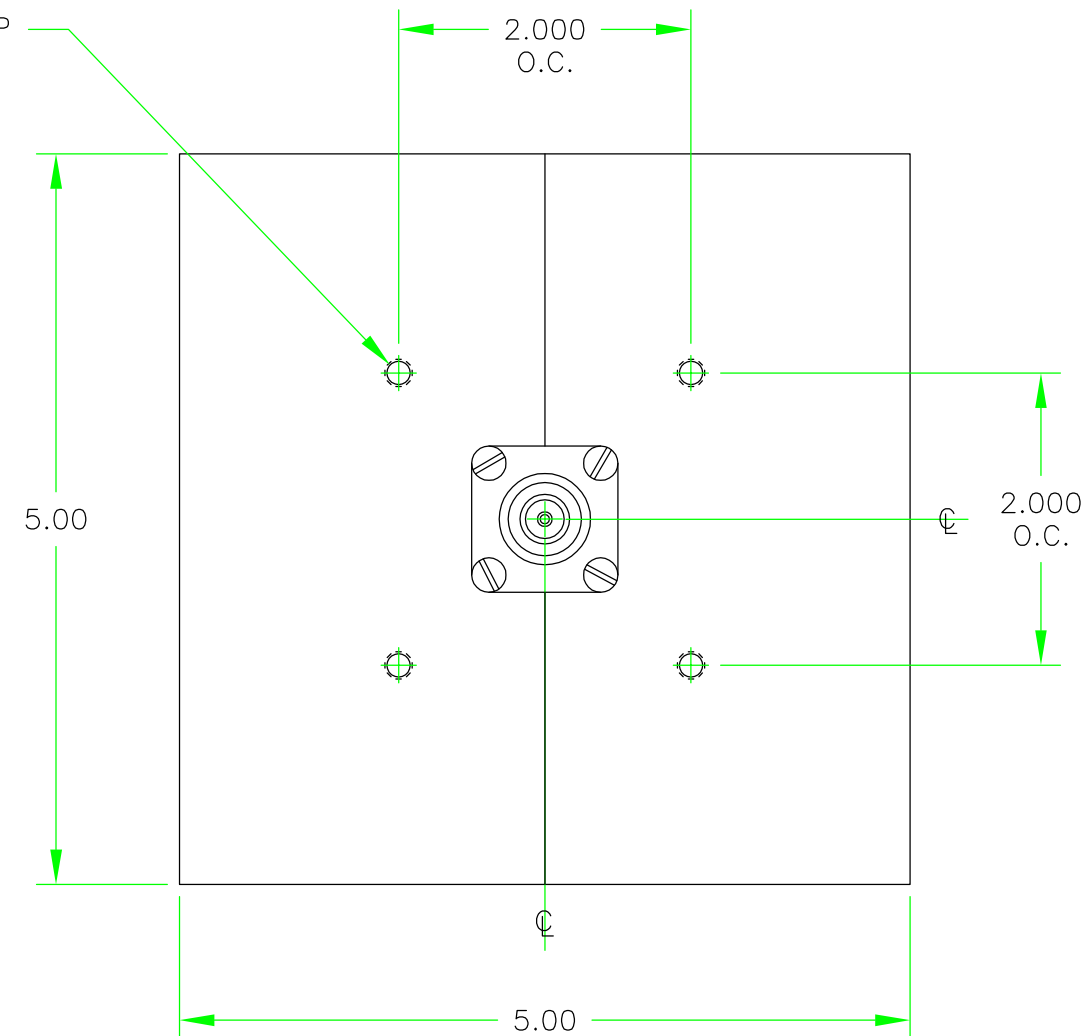


10-32 x .38 DP  
4-PLACES  
(BOTH ENDS)



REV	ECN	DATE	BY	APPR
-	ISSUED	-	-	-
A	1965	3-22-88	PT	FDW
B	2043	5-20-88	PT	FDW
C	2428	3-28-89	PT	FDW
D	3420	9-25-91	PT	FDW
E	3740	9-15-92	TEZ	PT
F	5151	11-20-96	JES	PT
G	6989	1-24-02	CMB	TEZ
H	16932	3-9-09	BZ	TEZ
J	21962	10-4-12	JZ	TEZ



**JFW INDUSTRIES, INC.**

www.jfwindustries.com

PH: 317-887-1340

MATERIAL	ALUMINUM ALLOY	PROPRIETARY INFORMATION
FINISH	CHEMFILM TCP / HEATSINK: BLACK PAINT	ALL SURFACES ARE TO BE FREE OF BURRS, PITS, & SCRATCHES
MODEL	50T-XXX / 75T-XXX	TOLERANCES .XX±.010 .XXX±.005 XX'±.5'
DESCRIPTION	300 WATT TERMINATION	DWG # 092-1002