

# NS 35/ 7,5 PERF 755MM - DIN rail perforated



1207640

<https://www.phoenixcontact.com/pc/products/1207640>

Please be informed that the data shown in this PDF document is generated from our online catalog. Please find the complete data in the user documentation. Our general terms of use for downloads are valid.



DIN rail perforated, acc. to EN 60715, material: Steel, galvanized, passivated with a thick layer, Standard profile, color: silver

## Commercial data

Item number	1207640
Packing unit	10 pc
Minimum order quantity	10 pc
Product key	BE7244
Catalog page	Page 527 (C-3-2019)
GTIN	4017918932640
Weight per piece (including packing)	240 g
Weight per piece (excluding packing)	240 g
Customs tariff number	72166190
Country of origin	DE

# NS 35/ 7,5 PERF 755MM - DIN rail perforated



1207640

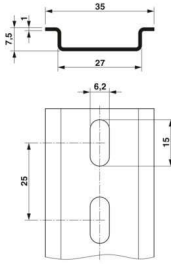
<https://www.phoenixcontact.com/pc/products/1207640>

## Technical data

### Product properties

Product type	DIN rail
--------------	----------

### Dimensions

Dimensional drawing	
Width	35 mm
Hole width	15 mm
Hole height	6.2 mm
Depth	7.5 mm
Length	755 mm
Drill hole spacing	25 mm

### Material specifications

Color	silver-colored
Material	Steel
Coating	galvanized, passivated with a thick layer

### Standards and regulations

Connection in acc. with standard	IEC / EN
Tests	acc. to EN 60715

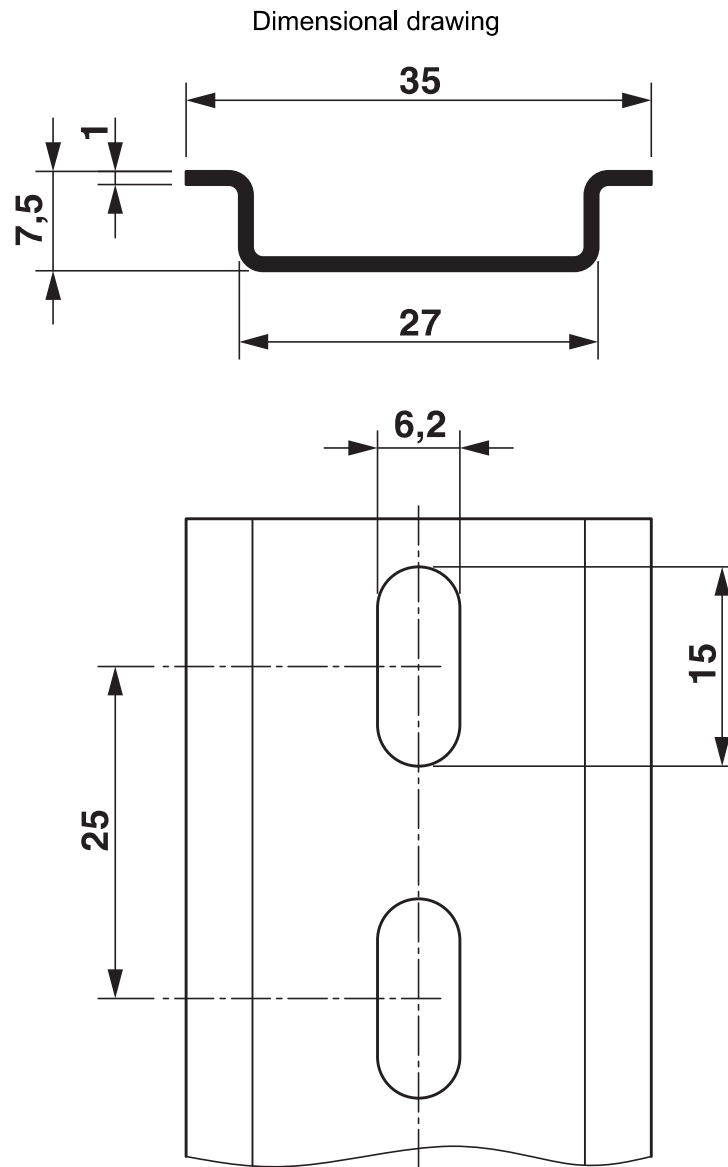
# NS 35/ 7,5 PERF 755MM - DIN rail perforated

1207640

<https://www.phoenixcontact.com/pc/products/1207640>



## Drawings



# NS 35/ 7,5 PERF 755MM - DIN rail perforated



1207640

<https://www.phoenixcontact.com/pc/products/1207640>

## Classifications

### ECLASS

ECLASS-11.0	27400602
ECLASS-13.0	27400602
ECLASS-12.0	27400602

### ETIM

ETIM 9.0	EC001285
----------	----------

### UNSPSC

UNSPSC 21.0	39121700
-------------	----------

# NS 35/ 7,5 PERF 755MM - DIN rail perforated



1207640

<https://www.phoenixcontact.com/pc/products/1207640>

## Environmental product compliance

### EU RoHS

Fulfills EU RoHS substance requirements	Yes, No exemptions
---	--------------------

### China RoHS

Environment friendly use period (EFUP)	EFUP-E
	No hazardous substances above the limits

### EU REACH SVHC

REACH candidate substance (CAS No.)	No substance above 0.1 wt%
-------------------------------------	----------------------------

Phoenix Contact 2025 © - all rights reserved  
<https://www.phoenixcontact.com>

PHOENIX CONTACT GmbH & Co. KG  
Flachmarktstraße 8  
D-32825 Blomberg  
+49 (0) 5235-3 00  
[info@phoenixcontact.com](mailto:info@phoenixcontact.com)