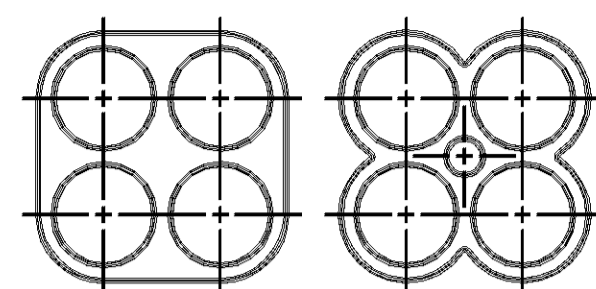
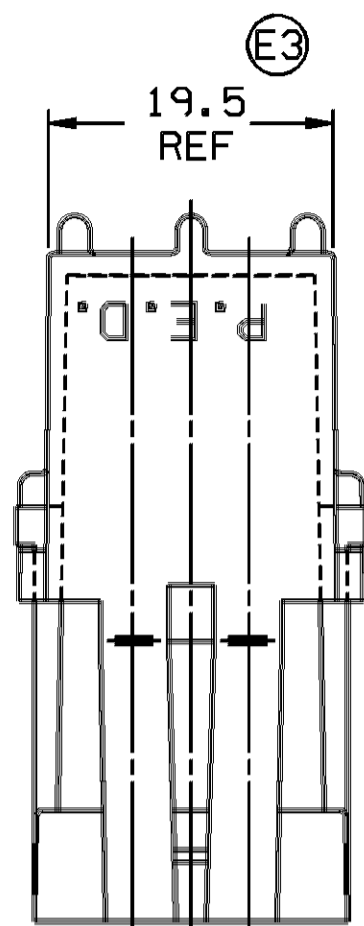


D

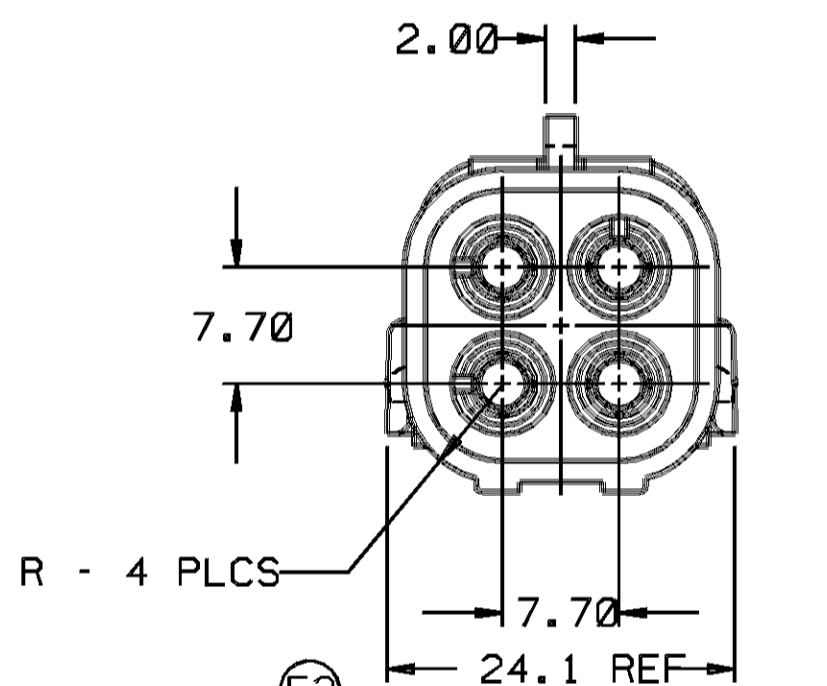
THIS DRAWING AND DESIGN HEREON CONSTITUTES A PROPRIETARY DESIGN OF PACKARD ELECTRIC DIVISION AND IS NOT TO BE DUPLICATED OR REPRODUCED WITHOUT AUTHORITY OF PACKARD ELECTRIC DIVISION.

DO NOT SCALE



STANDARD CONSTRUCTION OPTIONAL CONSTRUCTION

CABLE END VIEW OF CONNECTOR BODY



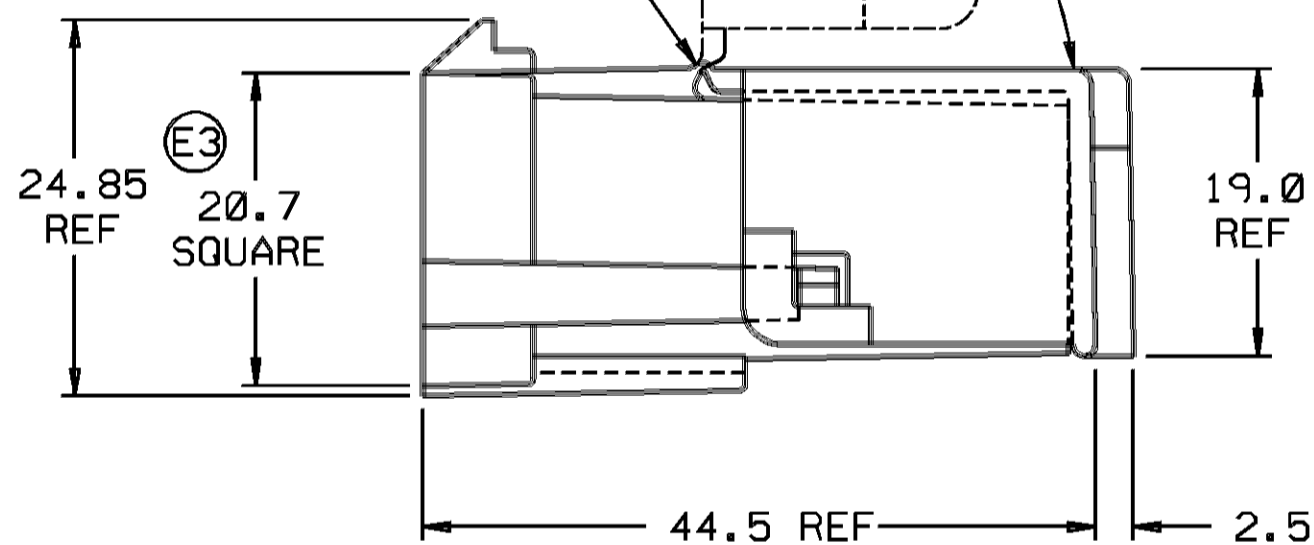
INDEX CODE

- 4104 -

(ALSO SEE HANDBOOK)

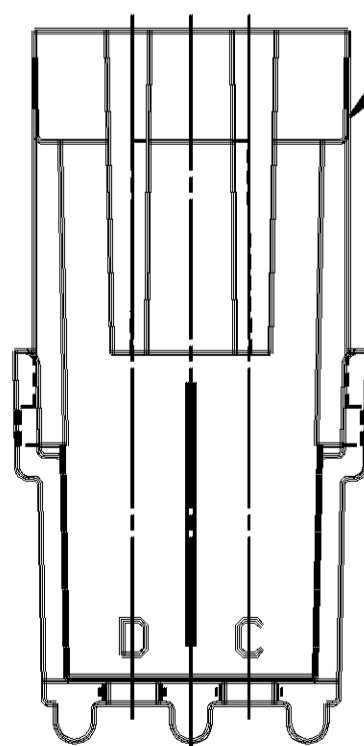
FLEX AREA MAY EXHIBIT MATERIAL SEPARATION AFTER FINAL ASSEMBLY

TERMINAL LOCK TO BE FOLDED DOWN AS SHOWN AFTER TERMINALS HAVE BEEN INSERTED



PULL OUT RIBS PERMITTED ALONG THIS AND OPPOSITE SURFACE.

- NOTES**
- MATING CONNECTOR IS 12015788 / 12015798.
 - USE TERMINAL 12089040 OR EQUIVALENT.
 - USE CABLE SEAL 12015323 OR EQUIVALENT.
 - SEALING CODE 3.
 - CAUTION:** DO NOT ATTEMPT TO COPY THIS DRAWING WHEN DESIGNING A MATING PART TO A WEATHER PACK CONNECTOR. PLEASE REQUEST THE LATEST COPY OF DRAWING NUMBER 12020084 FROM THE PACKARD ELECTRIC DIVISION.



DATE	SYM	REVISION RECORD	AUTHORITY	DR	CK
12MR91	E2	REDRAWN, ADDED INDEX CODE AND NOTE #5 & REVISED NOTES #1 & #2	139749	BKD	BKD
12JL91	E3	19.5 REF WAS 19.50 REF, 20.7 SQUARE WAS 20.70 SQUARE, REMOVE 23.30 REF, ADDED 24.1 REF AND NOTE, PULL OUT RIBS PERMITTED ALONG THIS AND OPPOSITE SURFACE	143236	GC	

PART NO. 1201 5024

PED / MICROSTATION		FILE SPEC: ****USER**** DGN SPECIFICATION***** ****SYTIME*****
THIRD ANGLE PROJECTION		METRIC DIMENSIONS ARE IN MILLIMETERS UNLESS OTHERWISE SPECIFIED.
CODE NO. 6901	TOLERANCE UNLESS OTHERWISE SPECIFIED DECIMAL: ONE PLACE ± 0.3 TWO PLACE ± 0.15 ANGULAR ± 2	
Q.C.	DR. JOHN M. SOVA	
DWG. DATE 27AP79	SCALE NONE	DATE 21JN79
EST. NO.	CK. T. MUDREY	DATE 25JN79
REFERENCE NO. 12015024 'E' SIZE	APPR. F.T. NEAL III	DATE
MATERIAL SPEC. NYLON TYPE 6 - BLACK		
NAME CONN 4M W/P SHD		
PART NO. 1201 5024	SIZE C	OUTLINE DRAWING

PACKARD ELECTRIC DIVISION
GENERAL MOTORS CORPORATION
WARREN, OHIO

197A
17A
96V
141-P
4174A