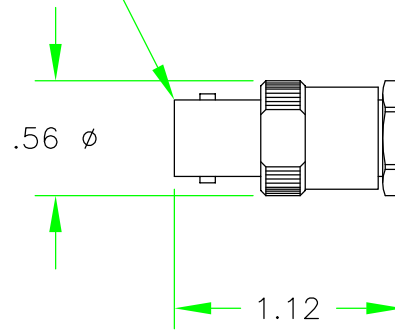


BNC FEMALE



**JFW INDUSTRIES, INC.**  
INDIANAPOLIS, IN

PROPRIETARY INFORMATION

ALL SURFACES ARE TO BE FREE OF BURRS, PITS, & SCRATCHES

REV	ECN	DATE	BY	DRAWN BY	DATE
A	5339	8-06-97	CDJ	CDJ	8-06-97
B	10111	11-3-04	BZ		
				MATERIAL	
				FINISH	
				DESCRIPTION	
					TERMINATION

SCALE FULL

TOLERANCES
FRACTIONAL DIM. $\pm 1/64$
2 PLACE DECIMAL $\pm .010$
3 PLACE DECIMAL $\pm .005$
ANGULAR DIM. $\pm 1/2$
DWG NO.
092-191