

Product Female cable connector, blue  
Area Snap-in connectors IP 67

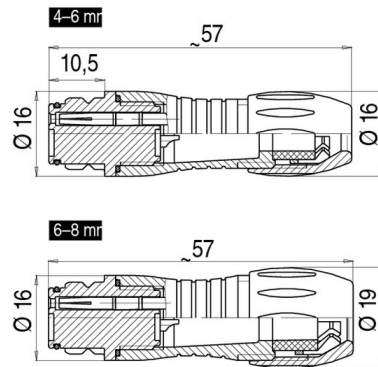
serie 720

Pole 5  
Article number 99 9114 60 05

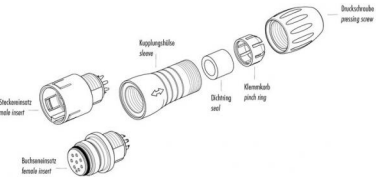
### illustration



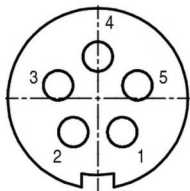
### scale drawing



### Item description



### Contact Arrangement



	X	Y
1	1,82	-2,51
2	-1,82	-2,51
3	-2,95	0,96
4	0,00	3,10
5	2,95	0,96

### Technical data

#### Common values

Connector Design	Female cable connector
Connector locking system	Snap-in locking
Termination	solder
Wire gauge (mm)	0,75 mm <sup>2</sup>
Wire gauge (AWG)	20
Max. Cable outlet	4 - 6 mm
Upper temperature	+85 °C
Lower temperature	-25 °C

#### Material

Material of contact	CuSn (bronze)
Contact plating	Au (gold)
Material of contact body	PA (UL 94 V-0)
Material of housing	PA (UL 94 V-0)

#### Cable data

Contacts 5, female cable connector, blue,  
cable outlet 4 - 6 mm

#### Electrical values

Rated voltage	125 V
Rated impulse voltage	1500 V
Pollution degree	2
Overvoltage category	II
Material group	II
Rated current (40°C)	5 A
Volume resistivity	≤ 3 mΩ
EMV compliance	not shielded
Degree of protection	IP 67
Mechanical operation	>500 mating cycles

