

C245811 Chisel Cartridge 3.2 x 1.2 L

These cartridges are **20mm longer** for easier access to **difficult-to-reach joints**

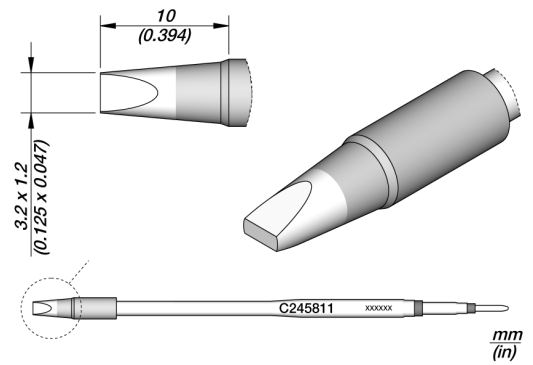
C245 cartridge range is the **widest** one of JBC with many shapes, sizes and special models.

They are appropriate for **general soldering** purposes and they are perfect for both **SMD components** or for applications with high power requirements such as ground plane soldering.

They work with **T245 Handles**

JBC Long Life Tips offer instant heat up, excellent heat transfer and great durability.

They last **5 times longer** than other brands thanks to the JBC Most Efficient Soldering System and the Sleep & Hibernation features.



REFERENCES

C245811

SPECIFICATIONS

Net weight 0,008 kg (0.02lb)

WEIGHT AND DIMENSIONS

Package 110 x 12 x 12 mm / 0.01 kg
4.33 x 0.47 x 0.47 in / 0.02 lb