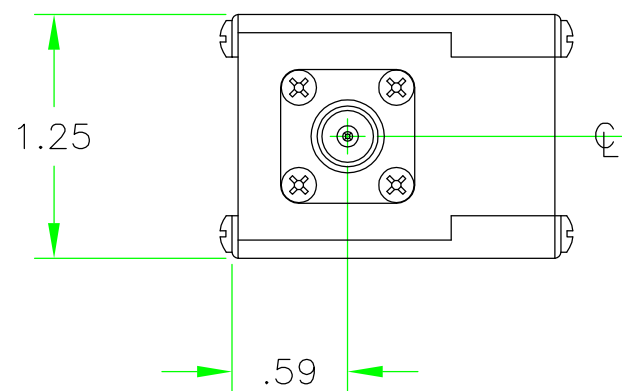
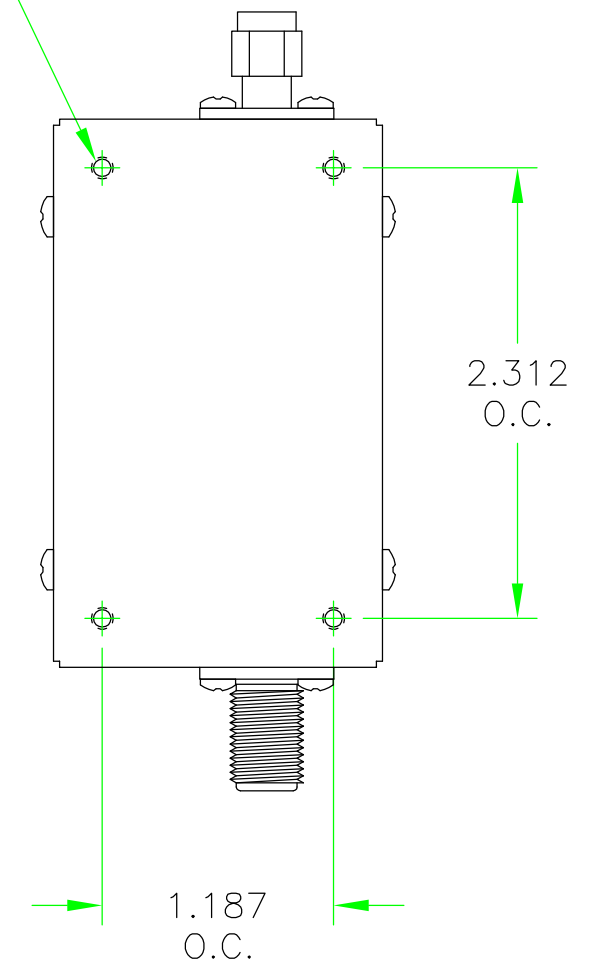


4-40 x .25 DP  
4-PLACES



REV	ECN	DATE	BY	APPR
-	ISSUED	12-12-08	BZ	TEZ
A	18968	8-06-10	DBC	BAC



**JFW INDUSTRIES, INC.**

www.jfwindustries.com

PH: 317-887-1340

MATERIAL	BRASS	PROPRIETARY INFORMATION
FINISH	NICKEL	ALL SURFACES ARE TO BE FREE OF BURRS, PITS, & SCRATCHES
MODEL	57ZTT-AA SMA M/F F	TOLERANCES .XX±.010 .XXX±.005 XX'±.5'
DESCRIPTION	IMPEDANCE MATCHING TRANSFORMER	DWG # 092-6023
SCALE	FULL	