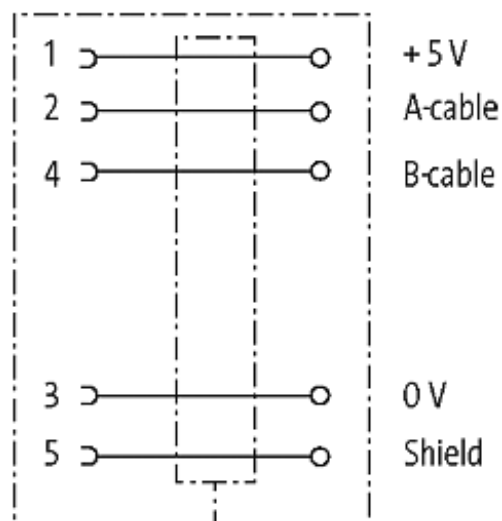
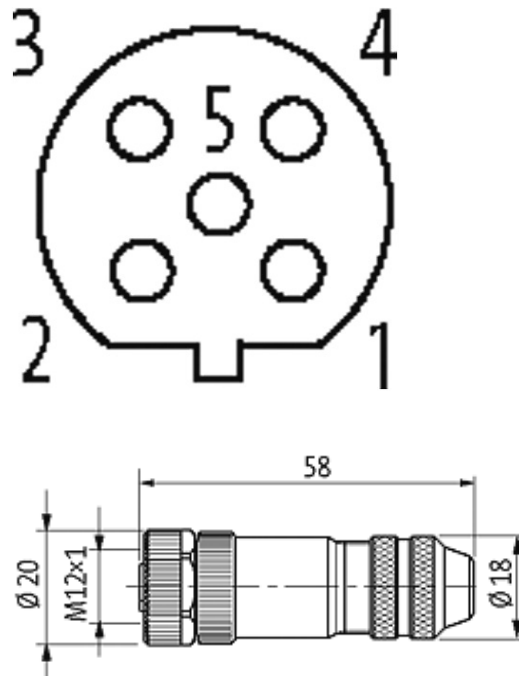


M12 FEMALE 0° B CODED SHIELDED WIREABLE SCREW TERM.5 POLE max. 0.75mm² 6-8mm PROFIBUS

The resistance to aggressive media should be individually tested for your application.
Further details on request.

[Link to Product](#)**Illustration**

Female



Product may differ from Image

More Info



Form

Form 14021

Technical Data

Operating voltage	max. 60 V AC/DC
Rated surge voltage	1.5 kV
Operating current per contact	max. 4 A
Material group	IEC 60664-1, category II
Connection cross section	max. 0.75 mm ²
Coding	M12, B-coded
Sealing range (cable Ø)	6...8 mm
Locking of ports	Screw thread M12 × 1 mm (recommended torque 0.6 Nm) self-securing
Protection	IP67 inserted and tightened (EN 60529)
Locking material	Zinc die casting, matte nickel plated
Housing	Zinc die casting, matte nickel plated

General data

Pollution Degree	3
Dimensions H x W x D	57x20x20 mm
Temperature range	-40...+85 °C
Material (gasket)	FKM

Commercial data

country of origin	DE
customs tariff number	85369010
EAN	4048879198622
eClass	27279218
minimum order quantity	1