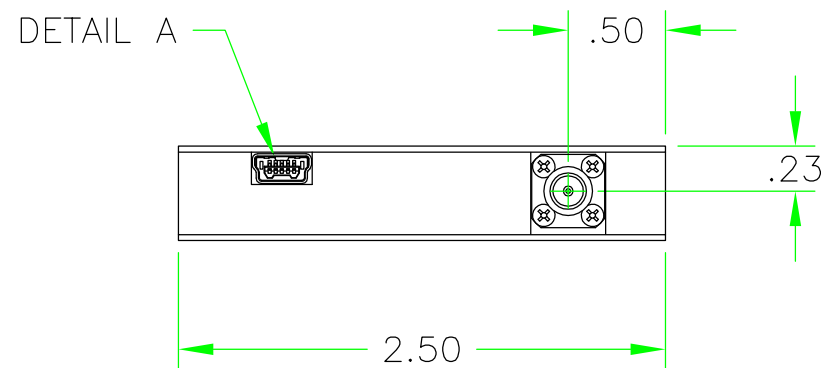



12345
DETAIL A
USB MINI-B

PIN	FUNCTION
1	+5 Vdc
2	D-
3	D+
4	NO CONNECTION
5	GROUND



REV	ECN	DATE	BY	APPR			
-	ISSUED	8-22-14	BZ	TEZ			
					 JFW INDUSTRIES, INC. www.jfwindustries.com PH: 317-887-1340		
					MATERIAL	ALUMINUM ALLOY	PROPRIETARY INFORMATION
					FINISH	ELECTROLESS NICKEL	ALL SURFACES ARE TO BE FREE OF BURRS, PITS, & SCRATCHES
					MODEL	50P-XXXX	TOLERANCES .XX±.010 .XXX±.005 XX'±.5'
					DESCRIPTION	PROGRAMMABLE ATTENUATOR	DWG # 092-8061
					SCALE	FULL	