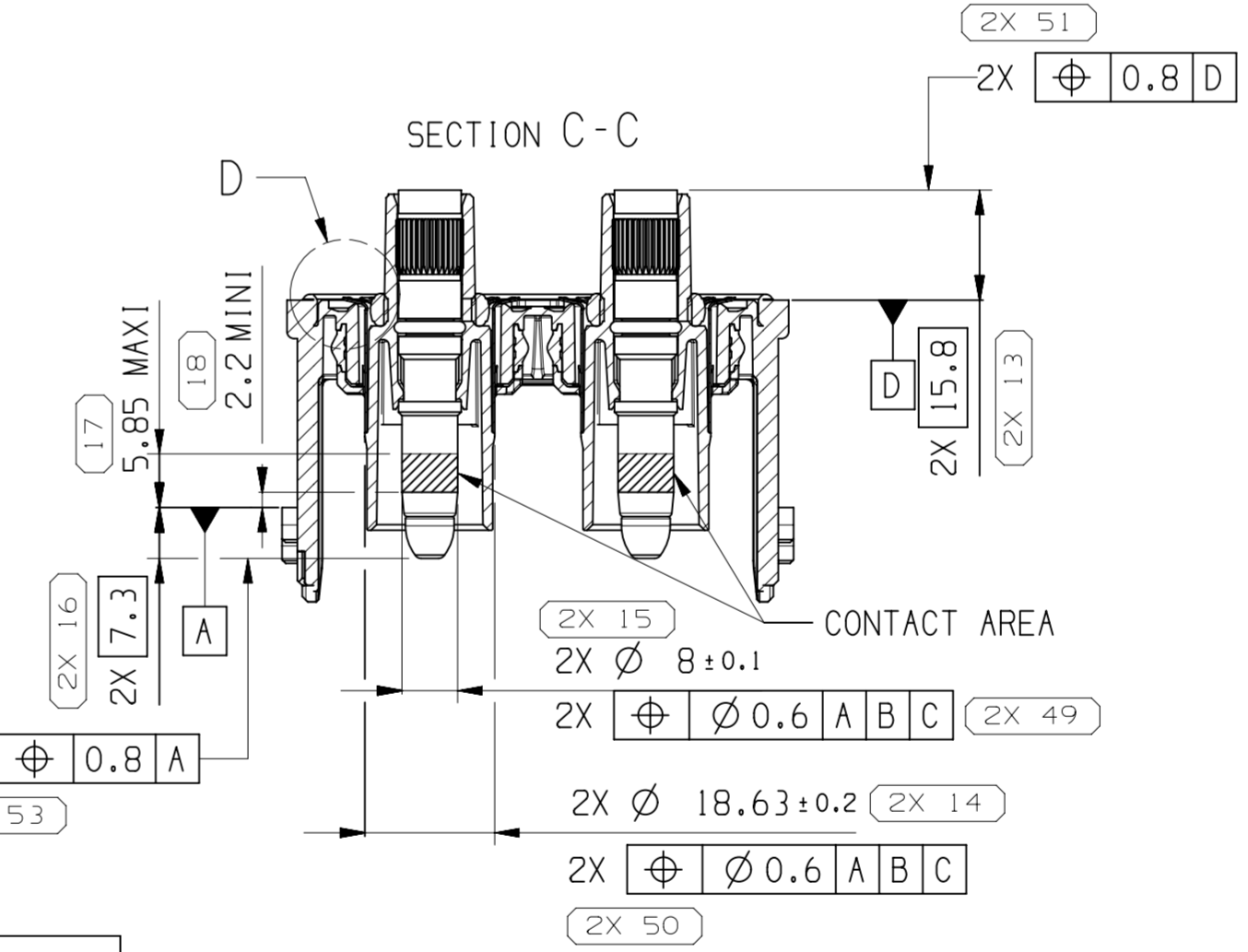
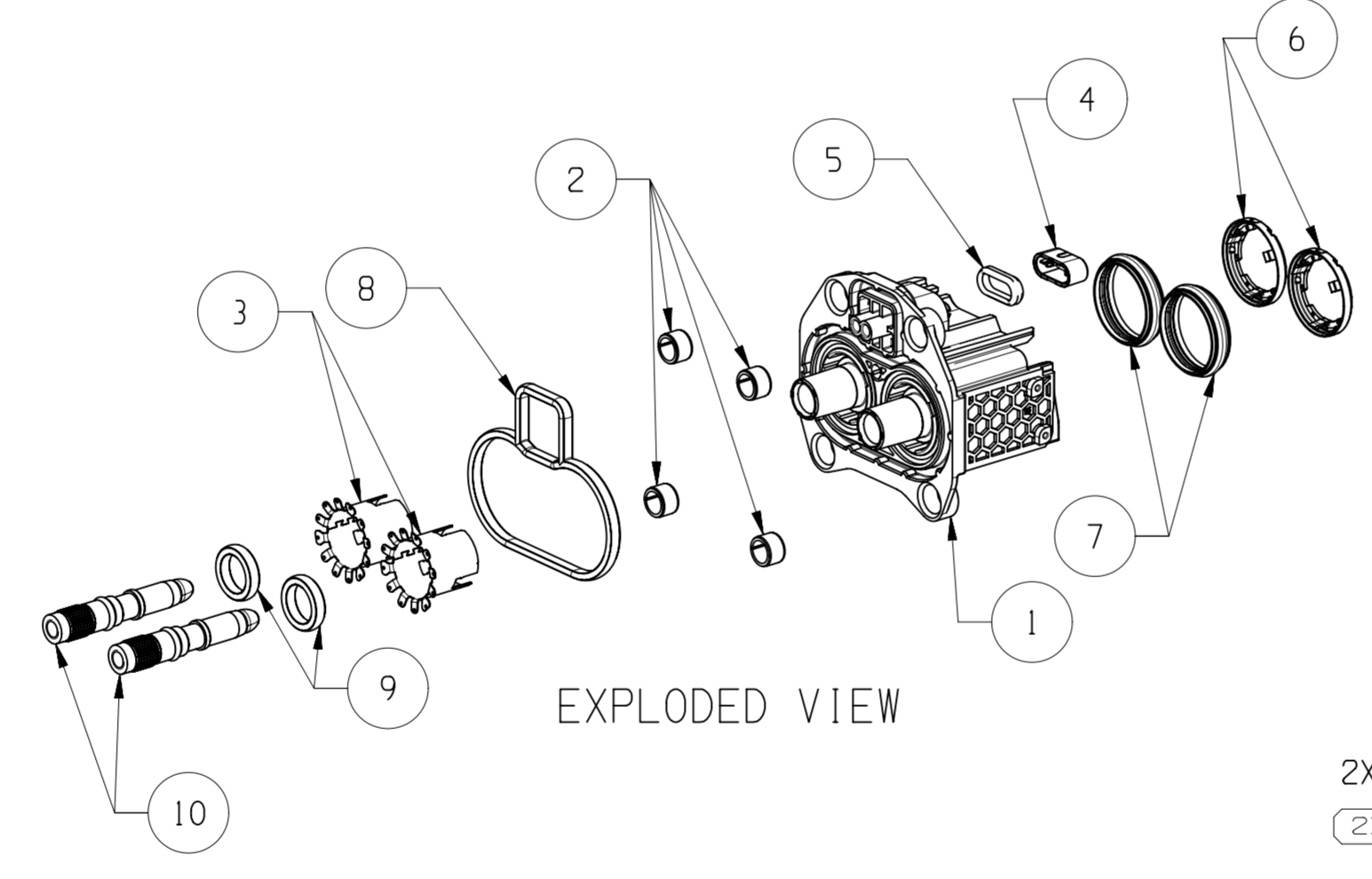
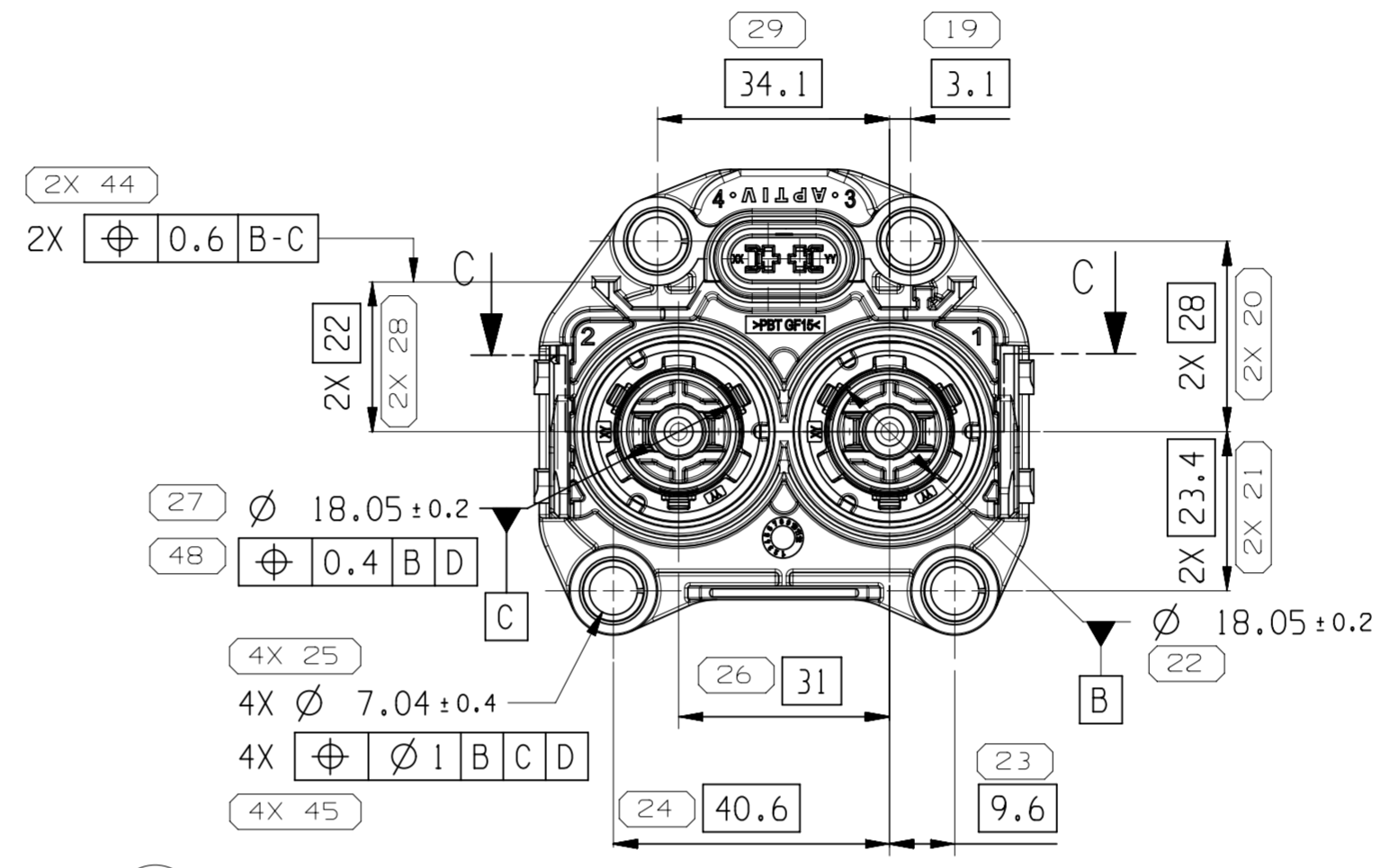
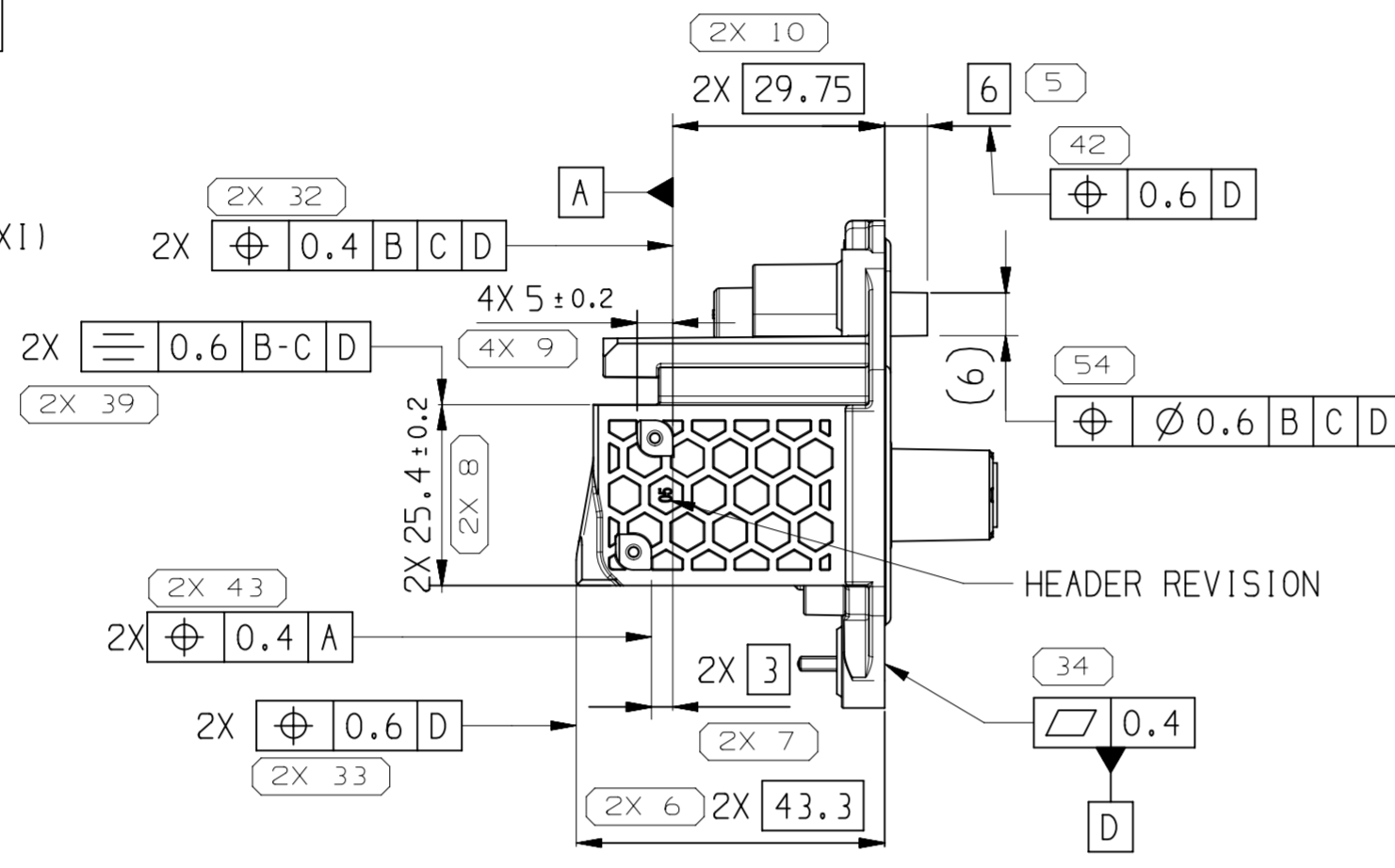
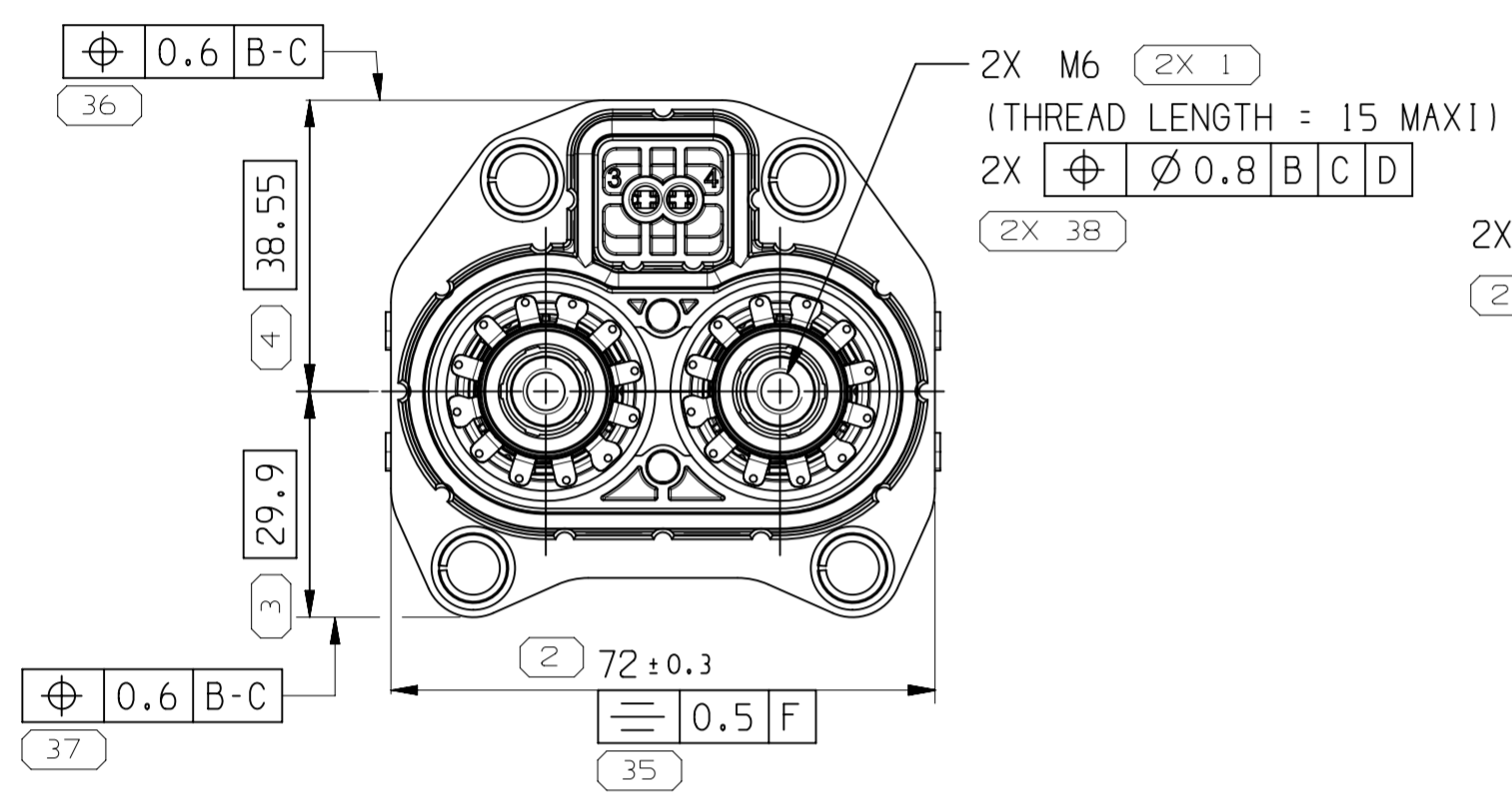
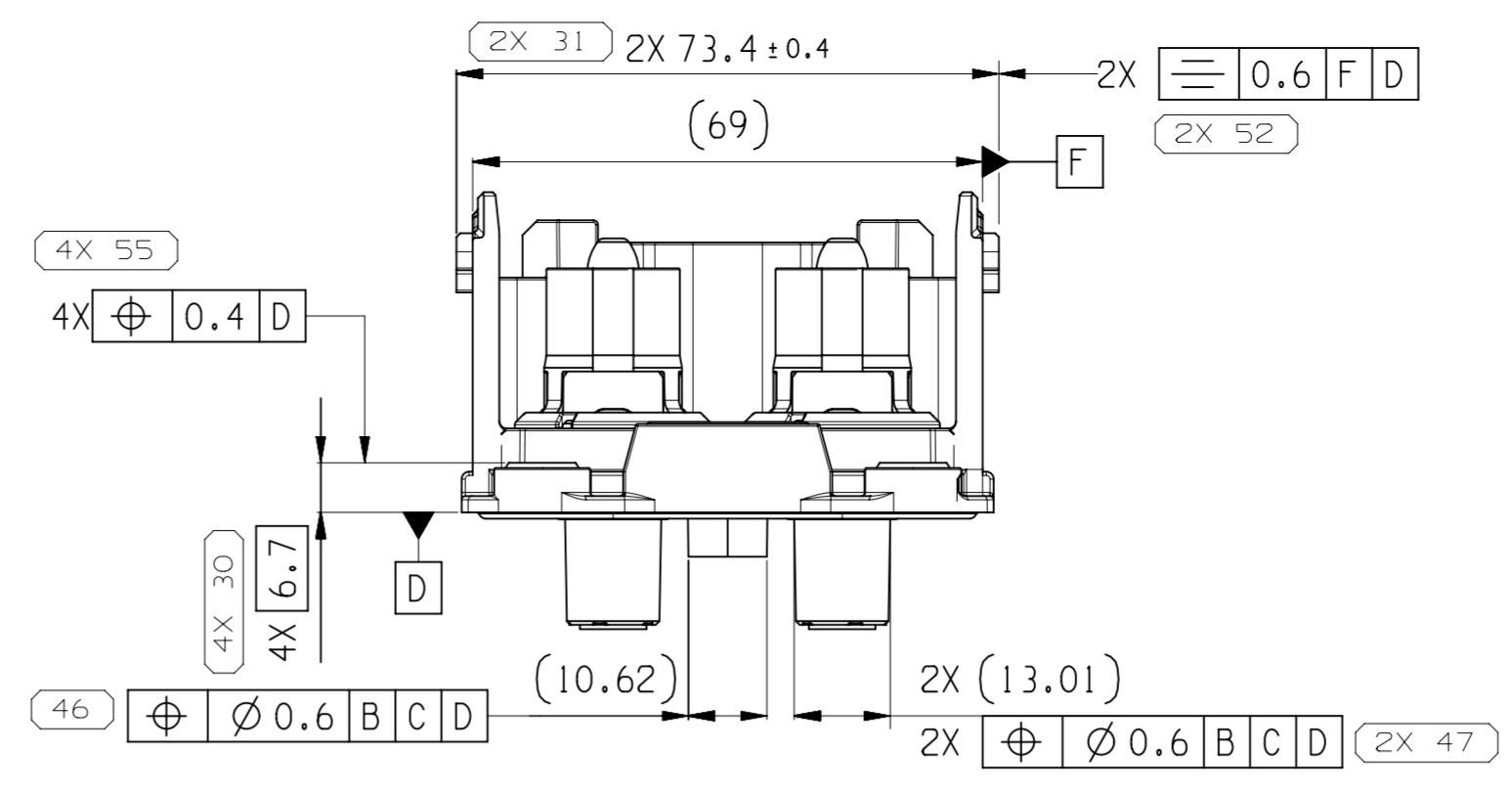
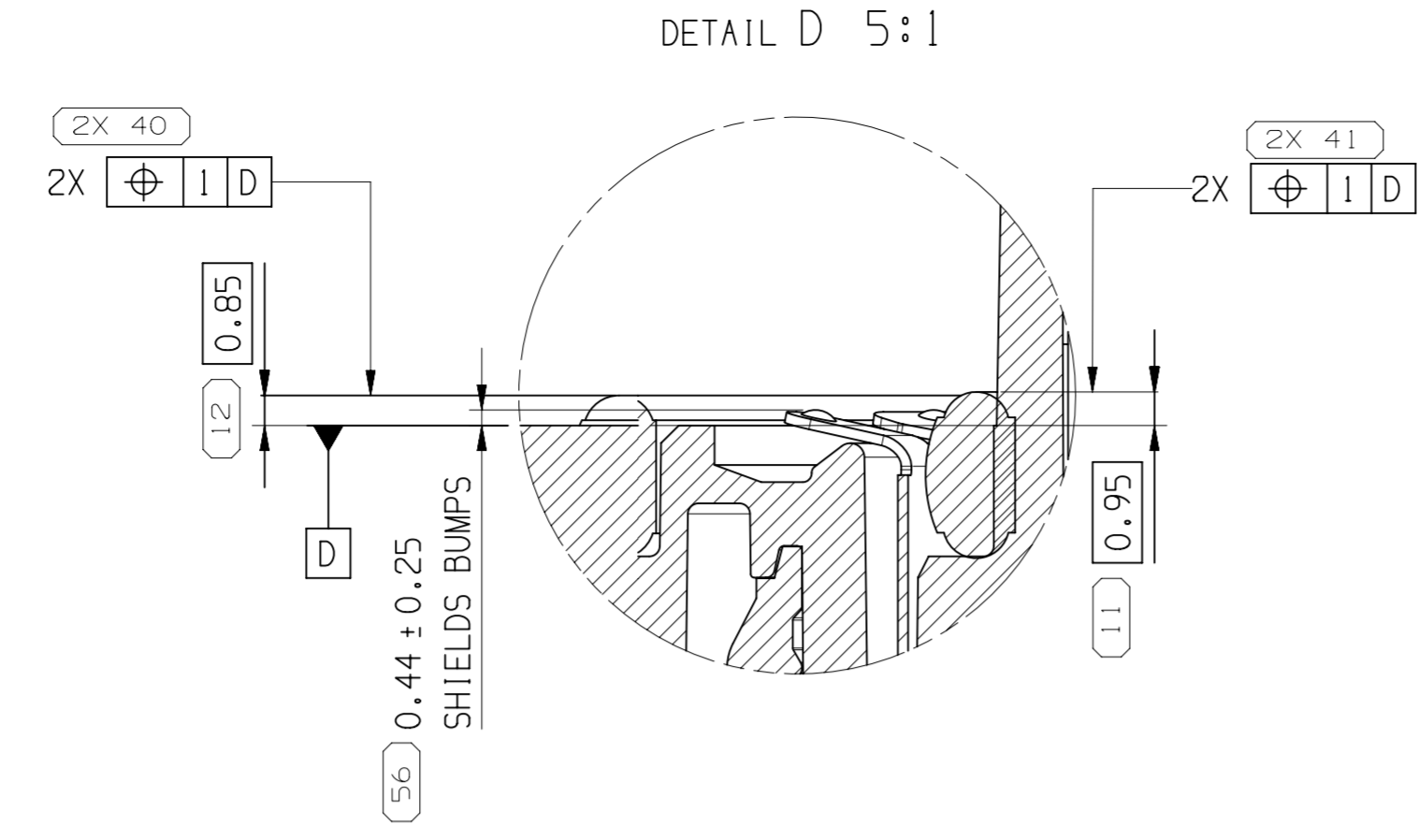
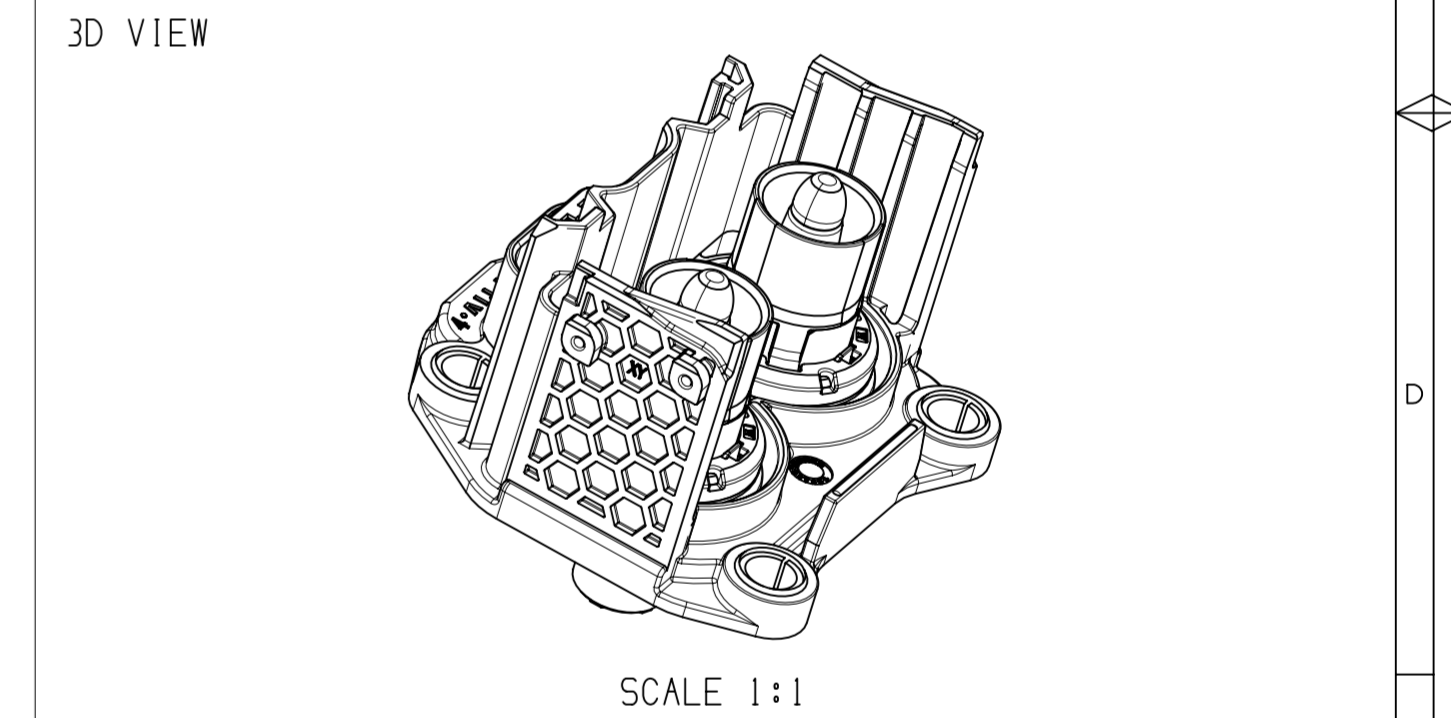


NOTES	SPECIFICATIONS
1	FEMALE CONNECTOR DRAWING: 35253705-CU502 INTERFACE DRAWING: 35253704-CDE02
2	USER MANUAL, REF APTIV: PU277
3	APTIV PRODUCT SPECIFICATION: FE PS 19 007

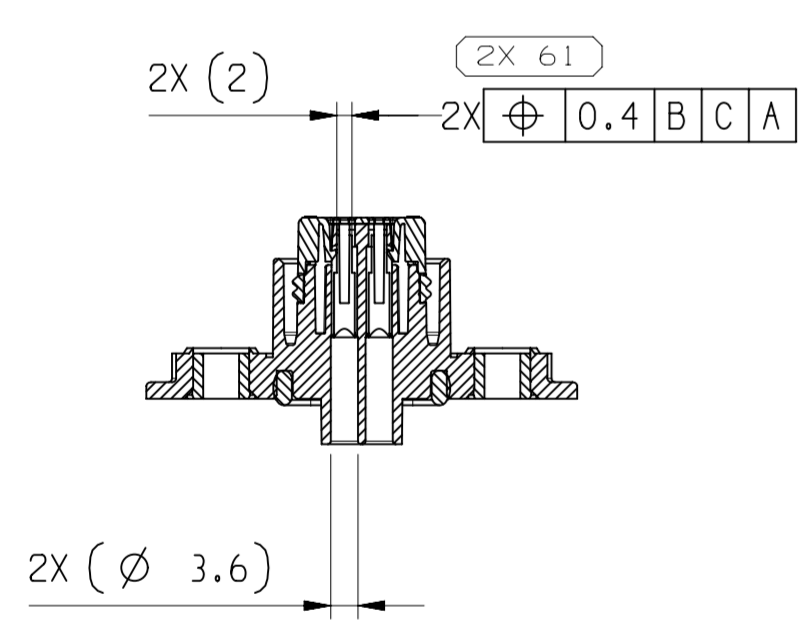
ASSOCIATED PRODUCTS					
DESCRIPTION	VISIBLE COLOR CODING	WIRE RANGE	Ø INSULATION		APTIV P/N
			MIN	MAX	
FEMALE CONNECTOR	ORANGE	N/A			35254366
SILVER D50 1.5 FEMALE TERMINAL	N/A	0.35 - 0.50 MM2	2.3	2.8	15549847
SWS FOR D50	RED				15441379
SILVER D50 1.5 FEMALE TERMINAL	N/A	0.75 - 1.00 MM2	2.3	2.8	15549848
SWS FOR D50	GREY				15441380



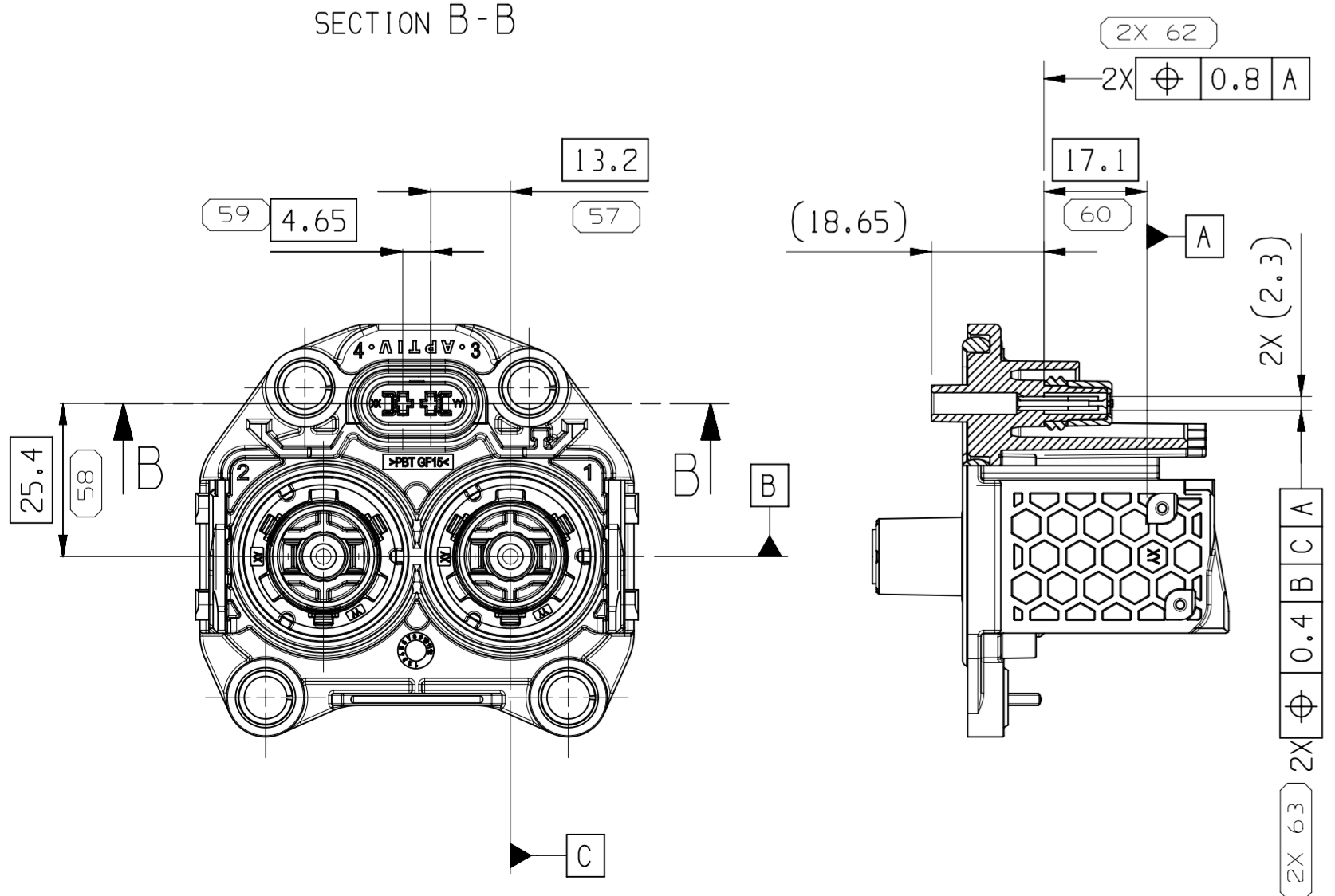
DWG STATUS	ZONE	REVISION HISTORY	AUTH	DR	APVD 1	APVD 2					
DATE	STG	REV	N/P	CHG							
09AP20	R	01	-				INITIAL RELEASE		T.PRA	L.MIC	V.MAR



INTERLOCK CAVITIES DEFINITION



SECTION B-B



REP	TITLE	APTIV P/N	COLOR	MATERIAL	QUANTITY
1	HEADER HOUSING	35253424	ORANGE	PBT GF15	1
2	METALLIC INSERT 6MM	33272652	-	HIGH CARBON STEEL	4
3	HEADER INDIVIDUAL SHIELD	35253443	-	COPPER ALLOY	2
4	INTERLOCK CAP	35016921	GRAY	PBT GF15	1
5	INTERLOCK SEAL	33501740	BLUE	LSR 50 SHORE A	1
6	PLASTIC CAP	35253446	BLACK	PA66 GF30	2
7	UNIT SEAL	35253445	BLUE	LSR 50 SHORE A	2
8	SALT SPRAY SEAL	35253444	GRAY	LSR 30 SHORE A	1
9	PIN CHIMNEY SEAL	35253455	GRAY	LSR 30 SHORE A	2
10	RCS890 PIN KNURLED	35082428	-	-	2

A LINE DRAWN THROUGH A PART NUMBER INDICATES THAT PHYSICAL PARTS ARE NOT AVAILABLE FOR ORDERING.

PART NUMBERS THAT DO NOT HAVE A LINE PRESENT INDICATE THAT PHYSICAL PARTS ARE AVAILABLE FOR ORDERING.

CONTACT APTIV SALES TO ASSURE AVAILABILITY OF PARTS.

LA LIGNE TRACÉE SUR LA RÉFÉRENCE PIÈCE INDIQUE QUE LA PIÈCE N'EST PAS DISPONIBLE À LA COMMANDE.

LES RÉFÉRENCES PIÈCES QUI NE SONT PAS BARRÉES INDICENT QUE CELLES-CI SONT DISPONIBLES PHYSIQUEMENT POUR ÊTRE COMMANDÉES.

CONTACTER LE SERVICE COMMERCIAL DE APTIV POUR S'ASSURER DE LA DISPONIBILITÉ DES PIÈCES.

R 0.2 MAX

R 0.1 MAX

SHARP CORNER TOLERANCE

DWG TYP	CUSTOMER PART DRAWING	DISTR CODE
WEIGHT (GR)		
VOLUME (CM ³)		
ROUTING		
UNLESS OTHERWISE SPECIFIED		
GENERAL TOLERANCES ACCORDING TO:		
GD&T ACCORDING TO:		
REFERENCE		
FIRST ANGLE PROJECTION		
DO NOT SCALE		
USE MATH DATA		

• APTIV •

CONNECTION SYSTEMS
Epernon, France

COPYRIGHT 2020 APTIV. ALL RIGHTS RESERVED.

THIS DRAWING IS THE PROPERTY OF APTIV AND CONTAINS APTIV CONFIDENTIAL INFORMATION. THE REPRODUCTION, DISTRIBUTION AND UTILIZATION OF THIS DOCUMENT OR ITS RELATED CAD MATH DATA, AS WELL AS COMMUNICATION OF ANY CONTENT TO OTHERS, WITHOUT EXPRESS AUTHORIZATION, IS PROHIBITED.

CE PLAN EST LE PROPRIÉTÉ DE APTIV ET CONTIENT DES INFORMATIONS APTIV CONFIDENTIELLES. LA RÉPRODUCTION, LA DISTRIBUTION ET L'UTILISATION DE CE DOCUMENT OU DE SES DONNÉES MATHÉMATIQUES CAO, AINSI QUE LA COMMUNICATION DE TOUT CONTENU À AUTRUI, SANS AUTORISATION EXPRESSE EST INTERDITE.

DR	DATE
PRABU T	09AP20
APVD1 LUIS, MICHAEL	09AP20
APVD2 VENARD MARINE	09AP20
APVD3	
APVD4	
APVD5	

SUBSTANCES OF CONCERN AND RECYCLED CONTENT PER APTIV 10949001
MATIÈRES PROHIBÉES ET CONTENU RECYCLABLE SELON APTIV 10949001

MATERIAL SEE TABLE

DRAWING NAME

2W HEADER RCS 890 SW
MALE CONNECTOR
35253704-CU502

DRAWING NUMBER

35253704

SIZE	SCALE	FRAME NO	SHEET NO	STG	REV	N/P
A1	1:1	1 OF 1	1 OF 2	R	01	-