

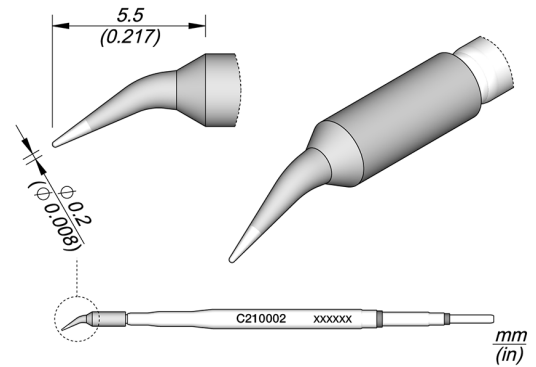
C210 cartridges are appropriate for **precision soldering** jobs with medium power requirements.

Due to the size, these cartridges are perfect to work with SMD, under a microscope, or with conventional components.

They work with **T210** Precision Handle, **B.100** and **B.500** Tools for B.IRON.

JBC Long Life Tips offer instant heat up, excellent heat transfer and great durability.

They last **5 times longer** than other brands thanks to JBC Most Efficient Soldering System and Sleep & Hibernation Modes.



REFERENCES

C210002

SPECIFICATIONS

Net weight 0,002 kg (0.00lb)

WEIGHT AND DIMENSIONS

Package 110 x 12 x 12 mm / 0.02 kg
4.33 x 0.47 x 0.47 in / 0.03 lb