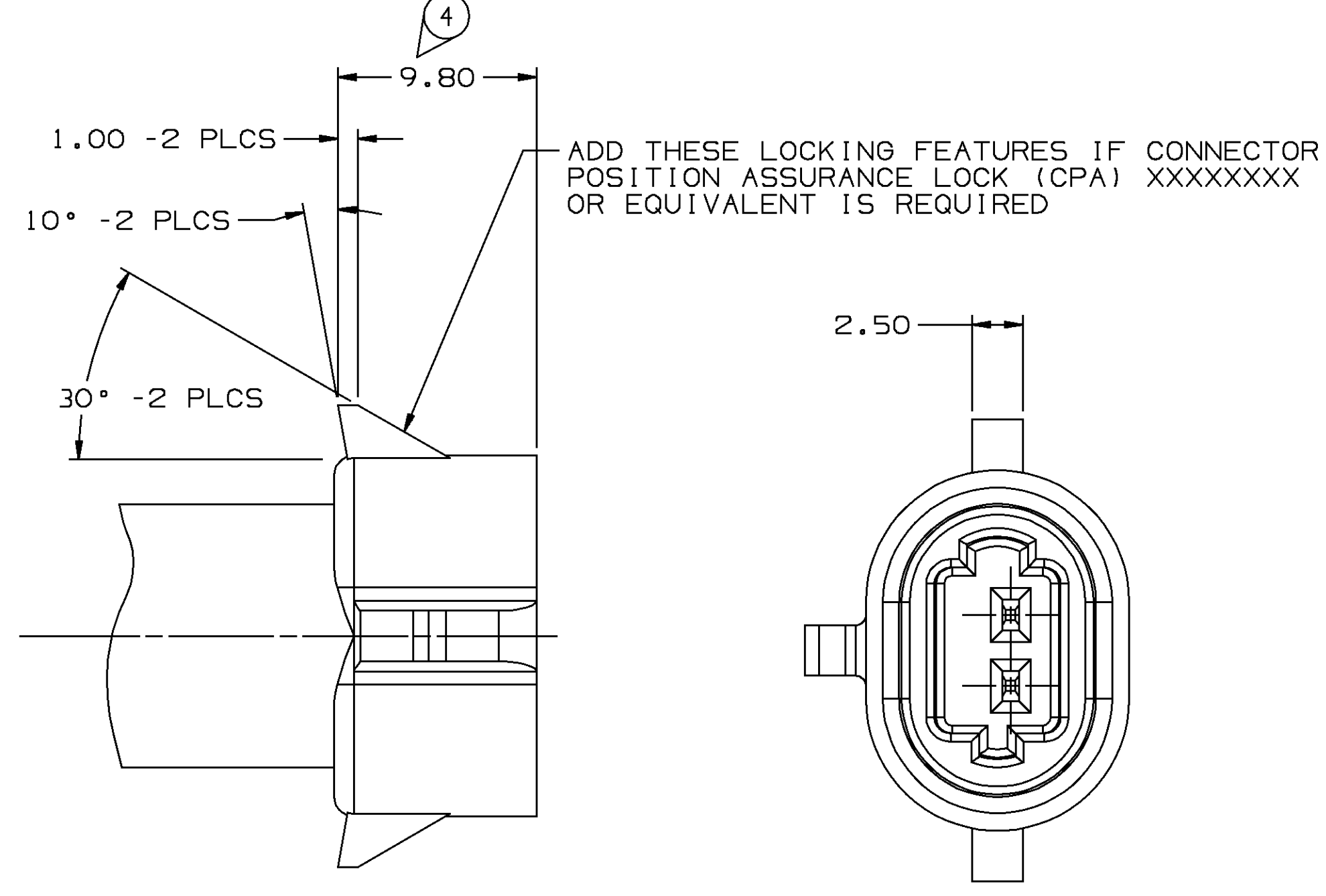


MATERIAL SPECIFICATIONS

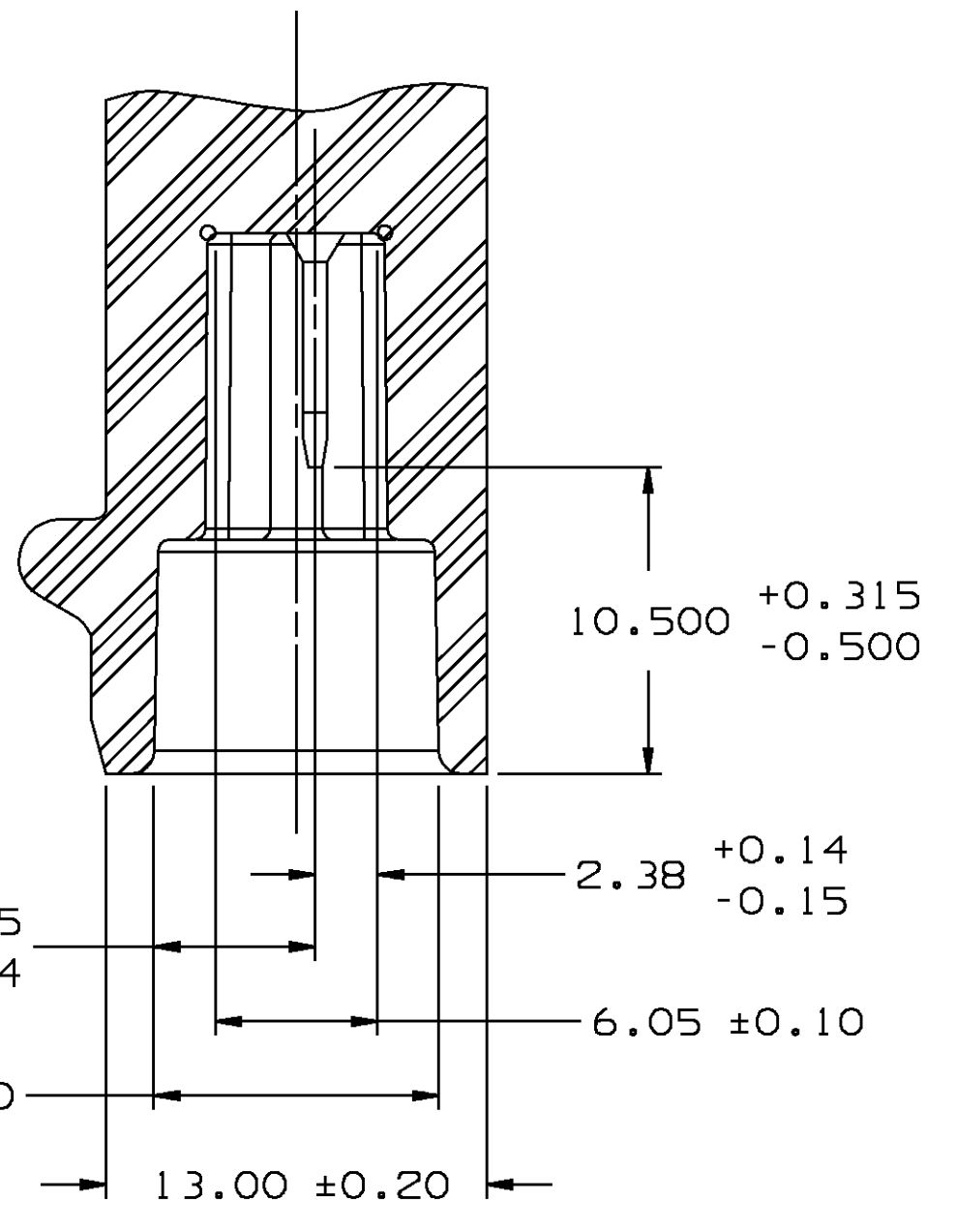
RECOMMENDED
BASE METAL - CDA-210, EXTRA SPRING TEMPER
PLATING - 0.0050±0.0025 MM THICK TIN

MINIMUMS
ELECTRICAL CONDUCTIVITY - ≥20% IACS AT 20°C. USE OF A MATERIAL WITH CONDUCTIVITY <20% IACS MUST BE APPROVED BY PACKARD ELECTRIC MATERIALS ENGINEERING.
TENSILE STRENGTH - 407 MPa
PLATING - FOR LOW ENERGY (≤5v) AND NON-PASSENGER COMPARTMENT POWER CIRCUITS, 0.0050±0.0025 MM THICK TIN. FOR MATERIALS CONTAINING 10% OR MORE ZINC, AN UNDERPLATE OF COPPER 0.0050±0.0025 MM THICK IS REQUIRED.
BLADE THICKNESS
 UNPLATE = 0.813±0.025
 TIN PLATE = 0.823±0.030

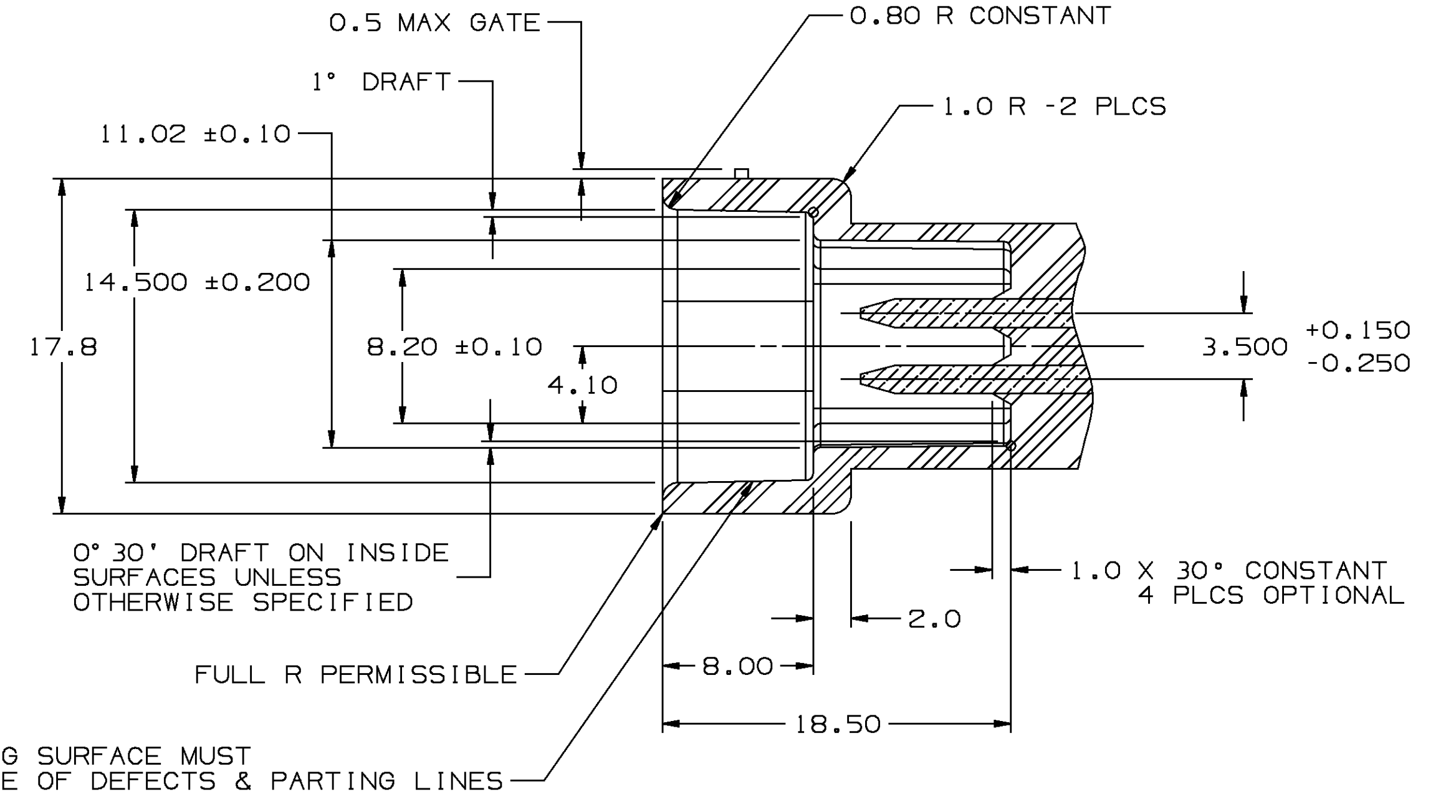
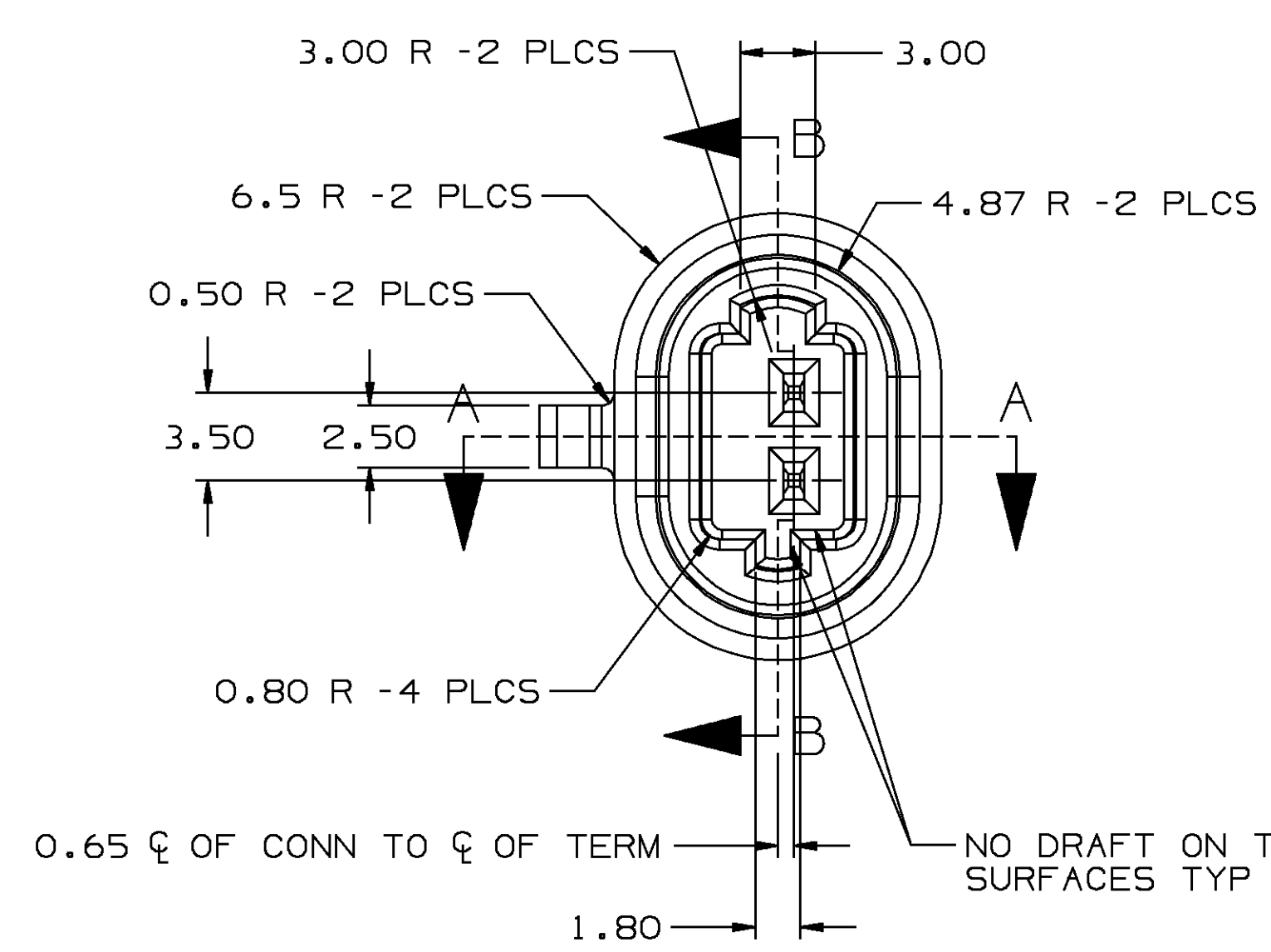
MATING BLADE INFORMATION
 SCALE 8:1



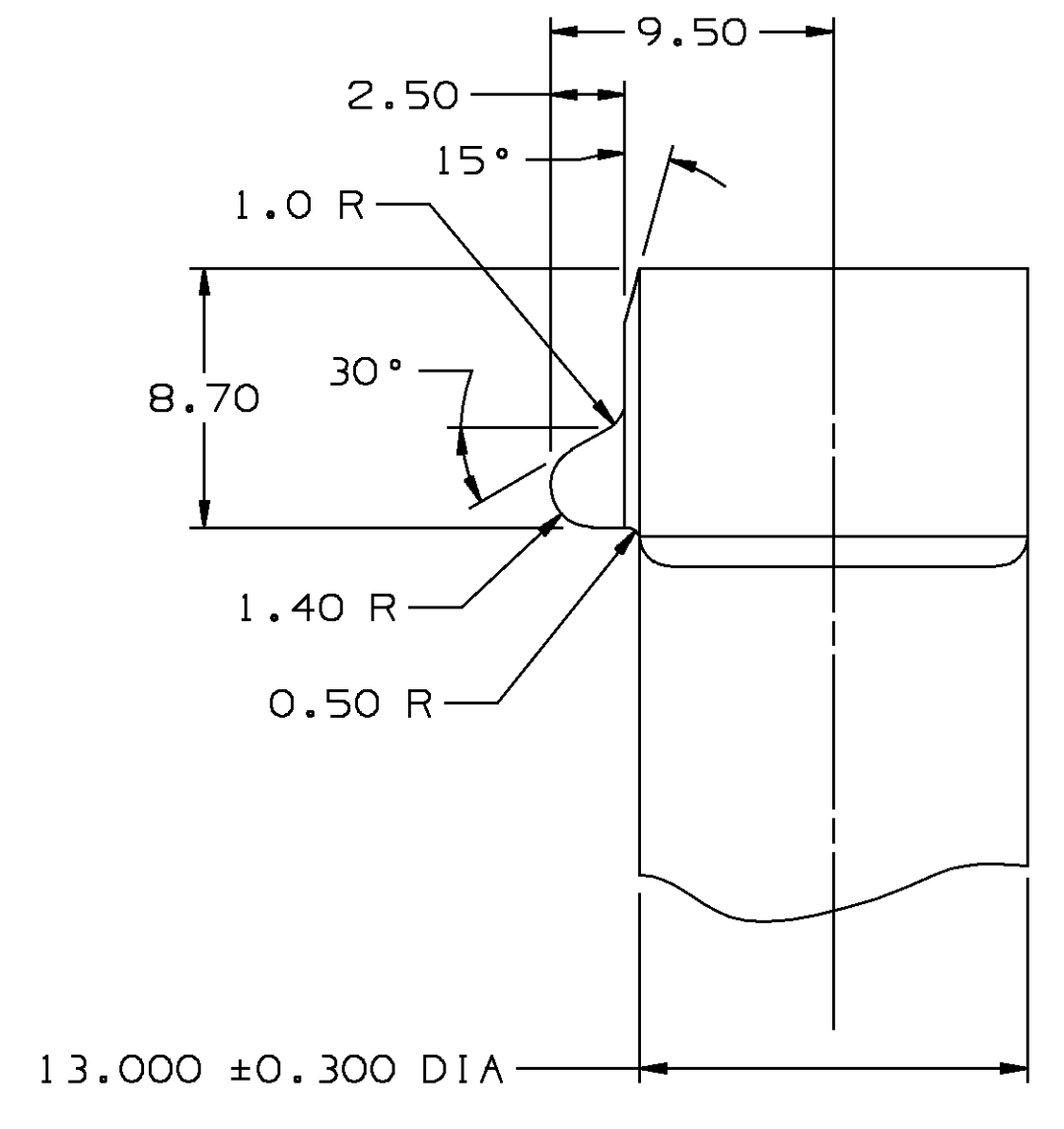
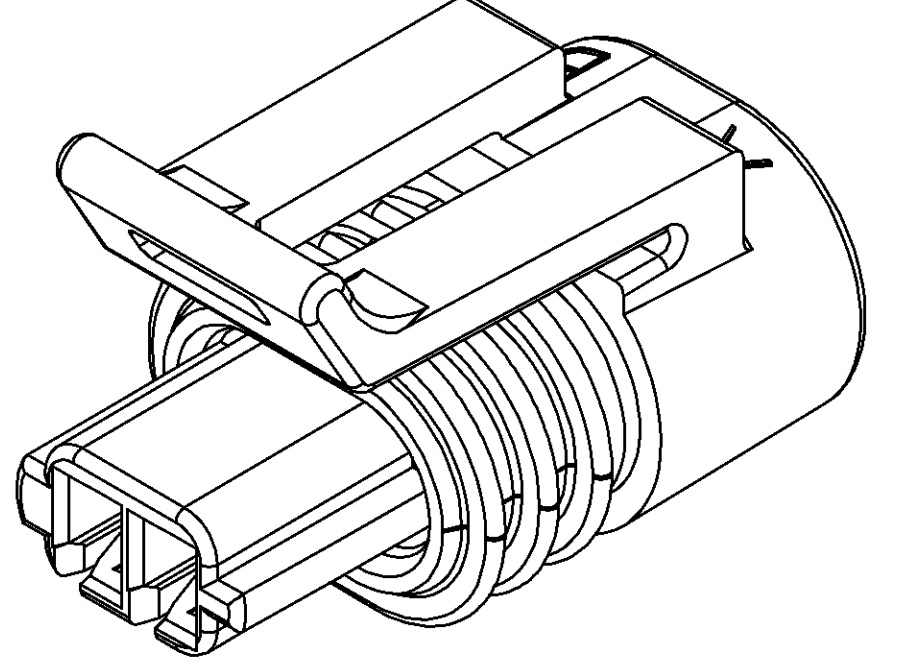
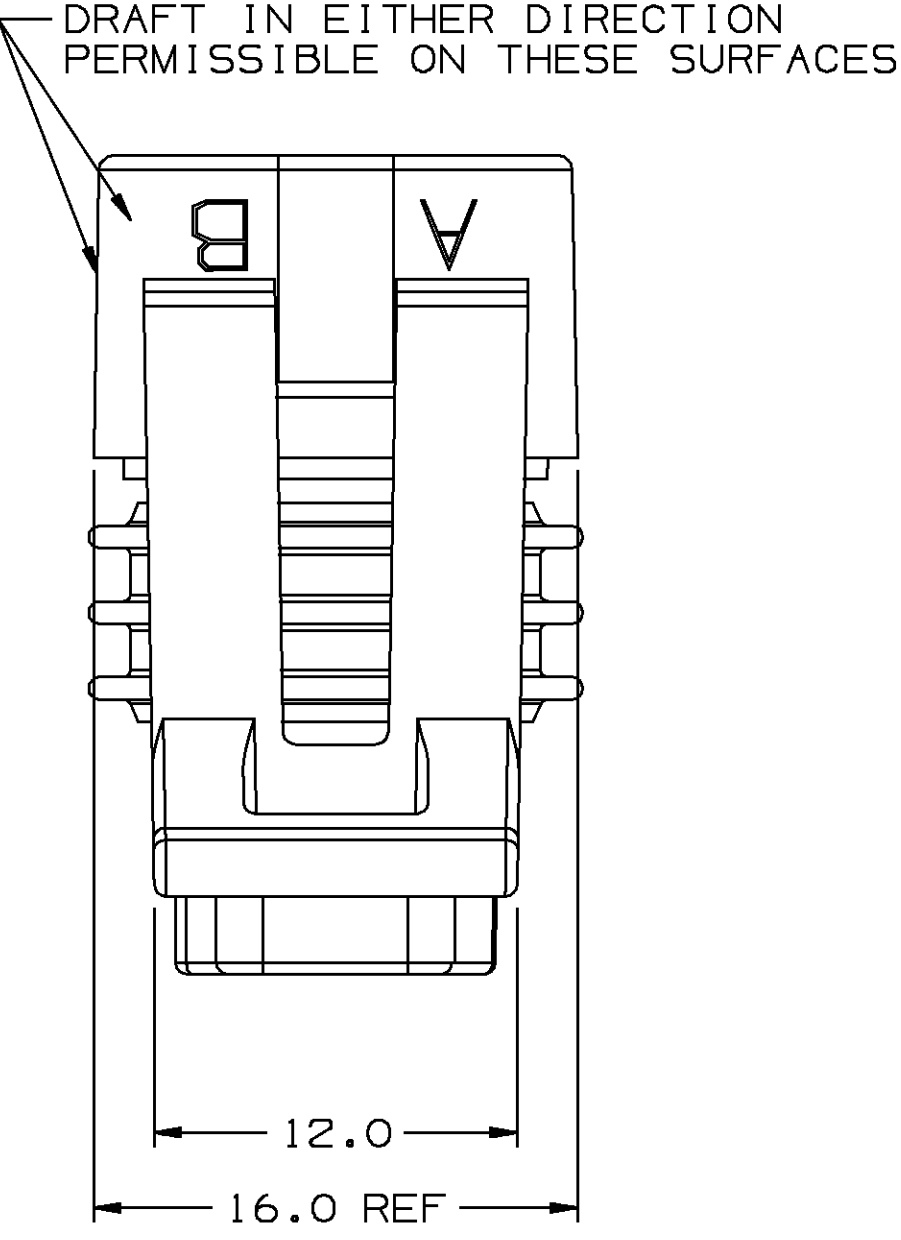
OPTIONAL CONSTRUCTION



SECTION A-A



SECTION B-B



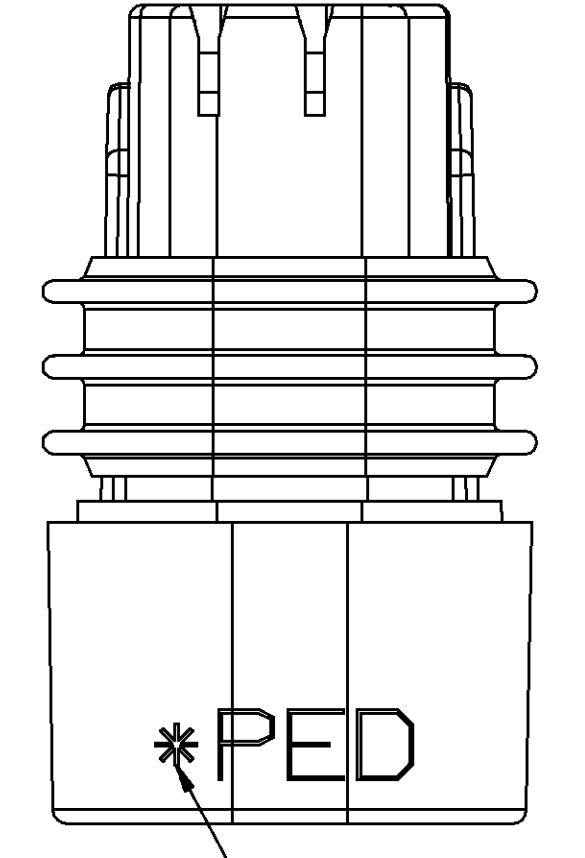
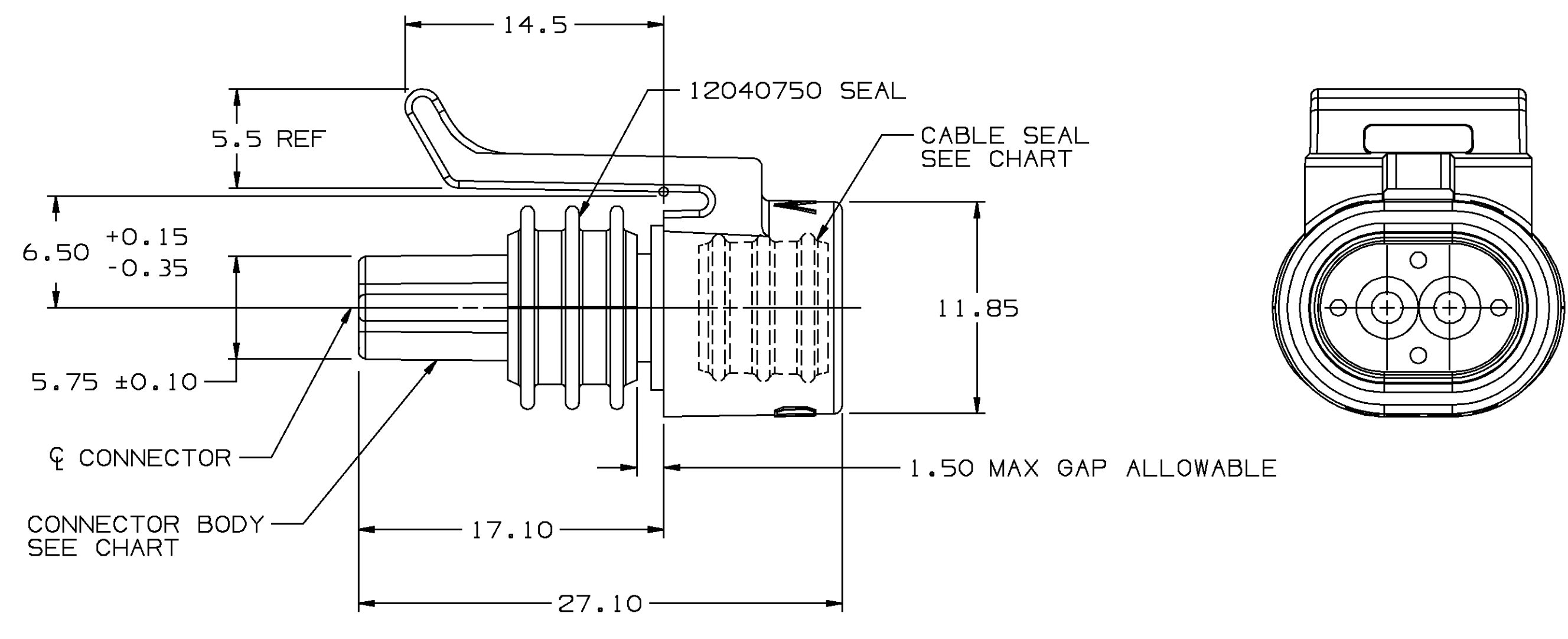
MATING CONNECTOR INFORMATION

- NOTES:**
- UNLESS OTHERWISE SPECIFIED AND/OR INDICATED: DIMENSIONS ARE TO FACE OF VIEW SHOWN AND AUTOMATICALLY ROUNDED BY COMPUTER FOR INSPECTION. (SEE MATH MODEL FOR PRECISE DIMENSION) FOR ALL OTHER DIMENSIONS NOT SHOWN BUT REQUIRED FOR TOOL BUILD, SEE MATH MODEL FOR PRECISE TOOL PATH DATA. ALL RADII 0.40
 - NO DRAFT PERMISSIBLE ON PART UNLESS SPECIFIED.

- NOTES:**
- UNLESS OTHERWISE SPECIFIED AND/OR INDICATED: DIMENSIONS ARE TO FACE OF VIEW SHOWN AND AUTOMATICALLY ROUNDED BY COMPUTER FOR INSPECTION. (SEE MATH MODEL FOR PRECISE DIMENSION) FOR ALL OTHER DIMENSIONS NOT SHOWN BUT REQUIRED FOR TOOL BUILD, SEE MATH MODEL FOR PRECISE TOOL PATH DATA. CAVITIES ARE IDENTICAL
 - MATING COMPONENTS: CONNECTOR 12041409 OR EQUIVALENT TERMINAL 12124075 OR EQUIVALENT
 - WHEN PARTS ARE SHIPPED, THEY MUST BE PACKED IN PLASTIC BAGS OR SHIPPING CONTAINERS MUST BE LINED WITH PLASTIC LINERS BAGS OR LINERS MUST BE SEALED TO AVOID ENTRY OF FOREIGN MATTER
 - FOR LEAD LENGTH CALCULATIONS, DISTANCE FROM MATING END OF CONNECTOR TO FRONT OF CABLE CORE IS 8.60 ±1.55
 - SEALING CODE 3

DESIGN WILL PASS SALT FOG AND IMMERSION TEST AFTER CONDITIONING AS SPECIFIED IN ESA-644 (WEATHER-PACK) ESA-710 (METRI-PACK) ESA-650 (UNDERHOOD MICRO-PACK) C-4006 (WORLD CONNECTOR) ETC. - WHEN MATED TO MATING PART OR EQUIVALENT

- DIMENSIONS MARKED "REF" ARE FOR REFERENCE ONLY AND NO TOLERANCE LIMITS ARE ESTABLISHED



ASTERISK (*) INDICATES 150.2 TERMINAL CAVITIES

ASM PART NO	REV	STATUS	PART NO	COLOR	PART NO	COLOR	PART NO	COLOR
15326143	A		15326141	BLACK	12040750	BLUE	12040751	GREEN
12162199	A		12162196	MD GRAY	12040750	BLUE	12110169	LT ORN
12162198	A		12162196	MD GRAY	12040750	BLUE	12078083	TAN
12162197	A		12162196	MD GRAY	12040750	BLUE	12040751	GREEN

SNOWCONE CHARACTERISTICS

DATE	SYM	REVISION RECORD	AUTH	DR	CK
05AP97		ALL PARTS - REVISED			
		- NO REV UPDATE REQ'D	178177	JH/PKY	
05AP97		15326143 - RELEASED TO			
		REV "A"	970005	JH/PKY	

TOTAL ON DRAWING	LAST NO. USED
4	4

PART NO 1216 2265

PART NO 1216 2265

DRAWING TYPE: PID

OTHER DRAWINGS AVAILABLE: METRIC

THIRD ANGLE PROJECTION

CODE NO: 6900 GC: -C-5110 DES: 07FE94

DWG DATE: 07FE94 DR E. BEILSTEIN 07FE94

SCALE: 4:1 OK E. BEILSTEIN 07FE94

REFERENCE NO: APP: S.J. VUKMER 15FE94 VOL. CM³

MATERIAL SPEC: SEE DRAWING

TAXI ASM CONN 2F M/P 150.2 P25

PART NUMBER: 1216 2265

SIZE: A0

DELPHI PACKARD ELECTRIC SYSTEMS
WARREN, OHIO 44480

TEST & SUPPLY