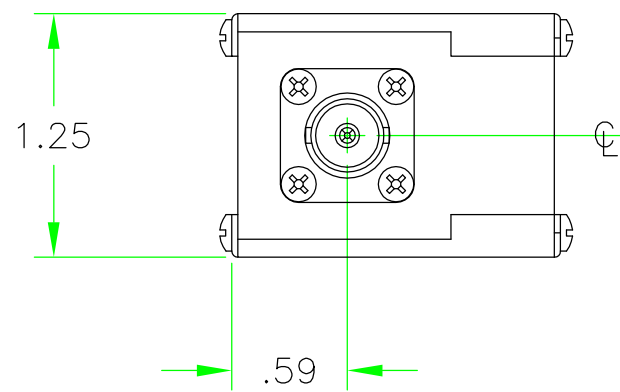
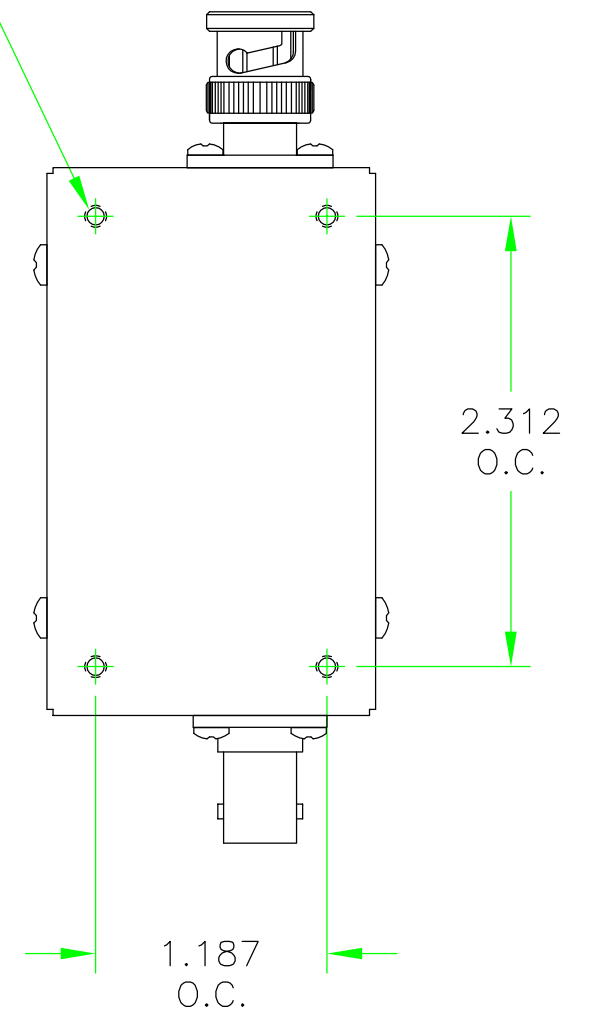


4-40 x .25 DP
4-PLACES



REV	ECN	DATE	BY	APPR
-	ISSUED	4-2-08	TEZ	TEZ
A	18967	8-6-10	DBC	BAC



JFW INDUSTRIES, INC.

www.jfwindustries.com PH: 317-887-1340

MATERIAL	BRASS	PROPRIETARY INFORMATION
FINISH	NICKEL	ALL SURFACES ARE TO BE FREE OF BURRS, PITS, & SCRATCHES
MODEL	57ZTT-AA BNC M/F	TOLERANCES .XX±.010 .XXX±.005 XX'±.5'
DESCRIPTION	IMPEDANCE MATCHING TRANSFORMER	DWG # 092-5752
SCALE	FULL	