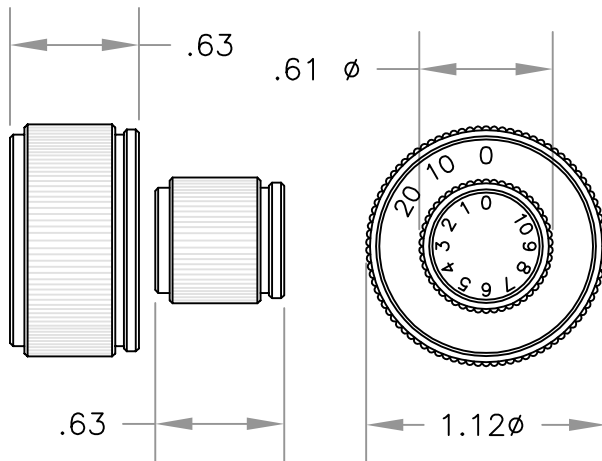
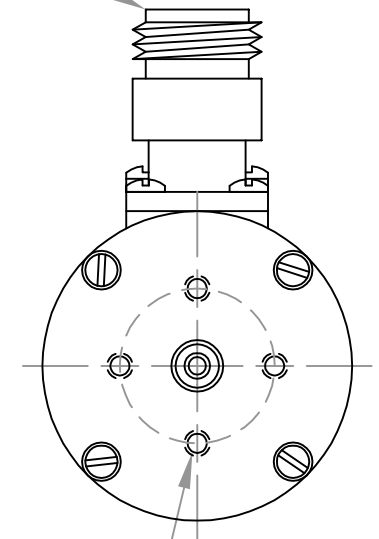



N FEMALE
2-PLACES



KNOB DETAIL

 JFW INDUSTRIES, INC. INDIANAPOLIS, IN					PROPRIETARY INFORMATION ALL SURFACES ARE TO BE FREE OF BURRS, PITS, & SCRATCHES		
REV	ECN	DATE	BY	DRAWN BY	CDJ	DATE	2-13-01
A	6750	6-11-01	CDJ	APP'D BY		SCALE	FULL
B	12635	4-21-06	ETW	MATERIAL	ALUMINUM ALLOY		
				FINISH	CHEMFILM TCP		
				DESCRIPTION	75DR-021 : ROTARY ATTENUATOR		
						TOLERANCES	
						FRACTIONAL DIM. \pm 1/64	
						2 PLACE DECIMAL \pm .010	
						3 PLACE DECIMAL \pm .005	
						ANGULAR DIM. \pm 1/2°	
						DWG NO.	092-3579