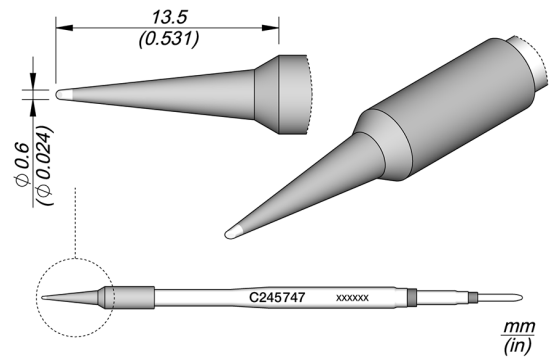


This cartridge has the **smallest bevel tip** of its range. It is similar to a conical shape but slightly flat at the end.

Their **0.6 mm diameter** and the **13.5 mm length** provide high precision and allow users to reach difficult areas between components.

**C245 cartridge** range is the **widest** one of JBC with many shapes, sizes and special models. They work with **T245 Handpieces**. They are appropriate for **general soldering** purposes and they are perfect for both **SMD components** or for applications with high power requirements such as ground plane soldering.

**JBC Long Life Tips** offer instant heat up, excellent heat transfer and great durability. They last **5 times longer** than other brands thanks to the JBC Most Efficient Soldering System and the Sleep & Hibernation features.



## REFERENCES

C245747

## SPECIFICATIONS

Net weight 0,006 kg (0.01lb)

## WEIGHT AND DIMENSIONS

Package 110 x 12 x 12 mm / 0.02 kg  
4.33 x 0.47 x 0.47 in / 0.04 lb