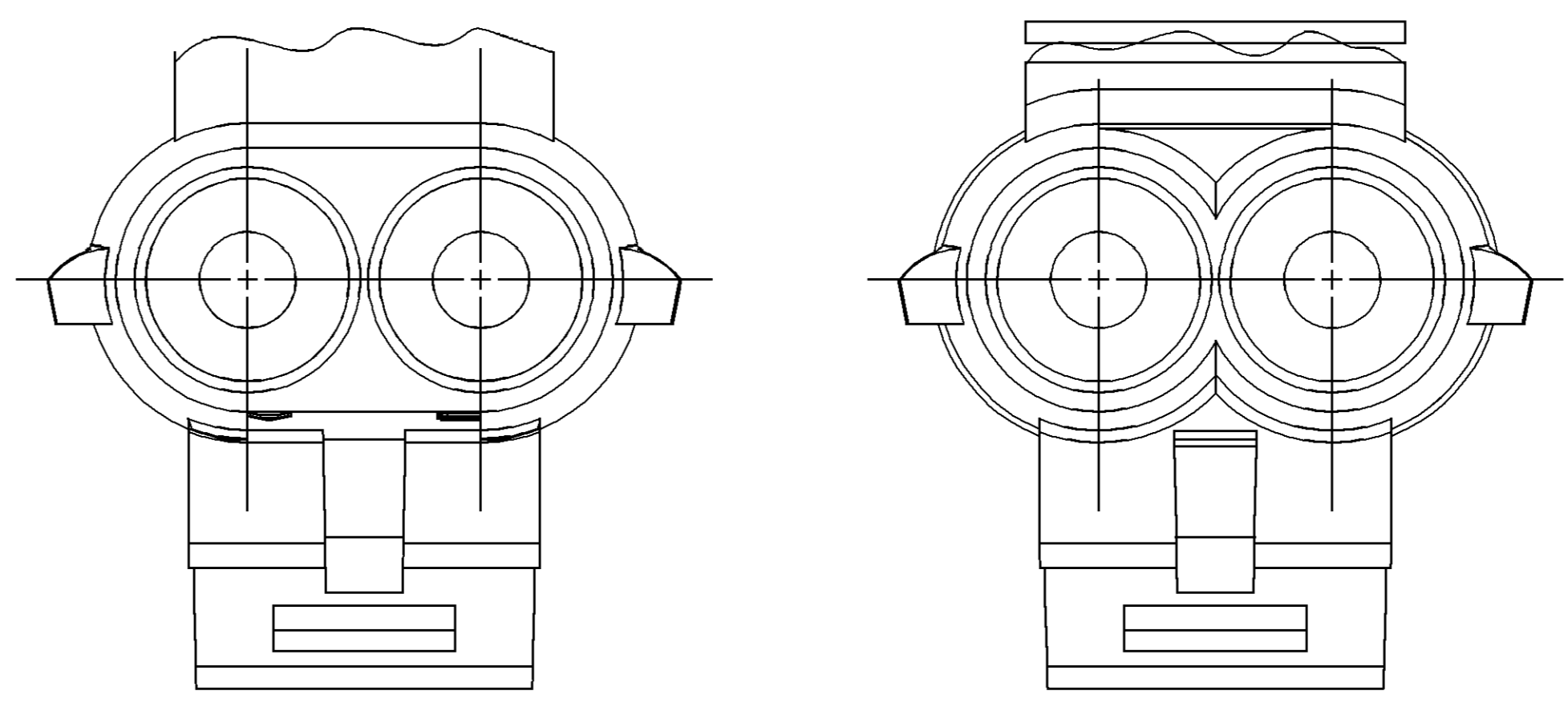
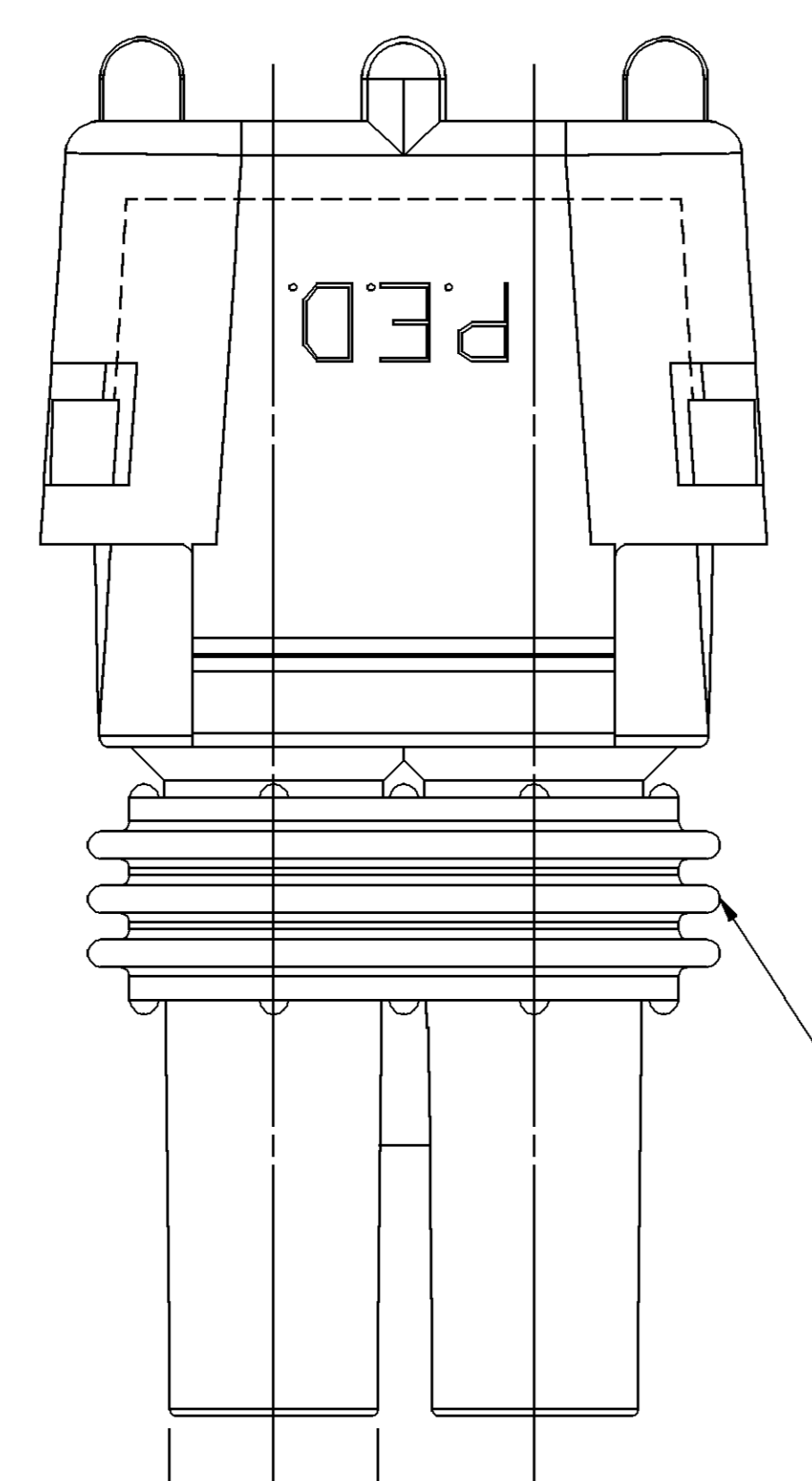


SYMBOL DEFINITION		TOTAL NO OF INSPECTIONS REQUIRED		MISSING SYMBOLS	
A DIMENSION WITHOUT AN INSPECTION REPORT SYMBOL DOES NOT REQUIRE INSPECTION. IT MAY BE CONTROLLED ON THE INDIVIDUAL COMPONENT DRAWING.		10		NO MISSING SYMBOL NUMBER	
LAST NO. USED		9			

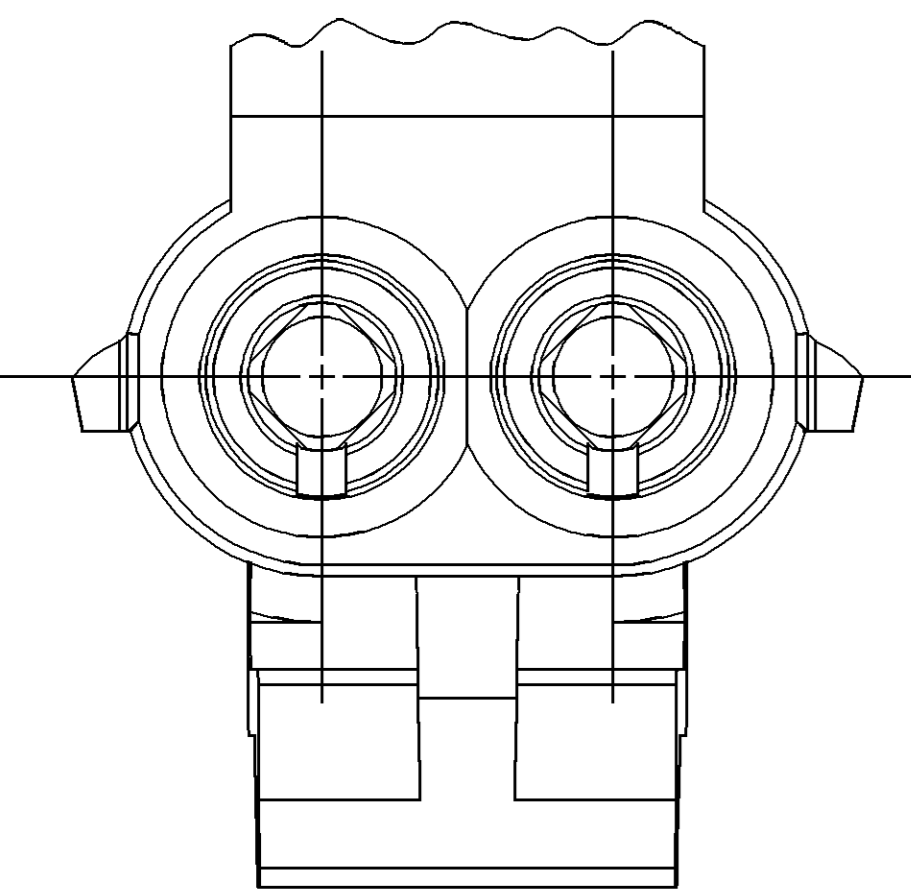
DWG STATUS				REVISION HISTORY				AUTH		DR		APVD	
DATE	STG	REV	N/P	CHG	ZONE	Cleared revision column and all parts - redrawn to PD				218242	AM6	AM6	RC
11DE01	R	07	-	-	-	12103584 - UPDATED PDM ATTRIBUTES				283016	JBD	AUG	EJH



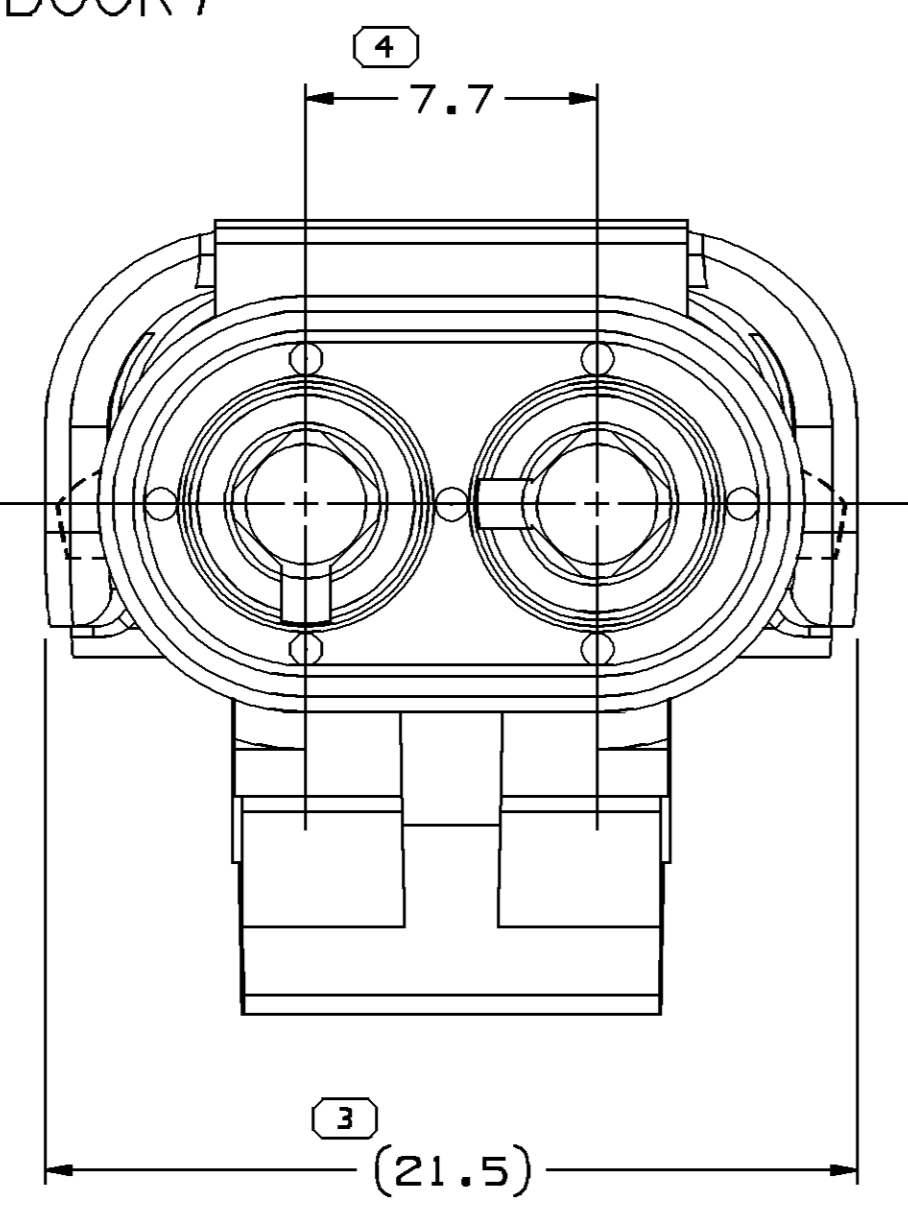
CABLE END VIEW OF CONN BODY

2X 2
2x Ø 6.15

INDEX CODES
(ALSO SEE HANDBOOK)

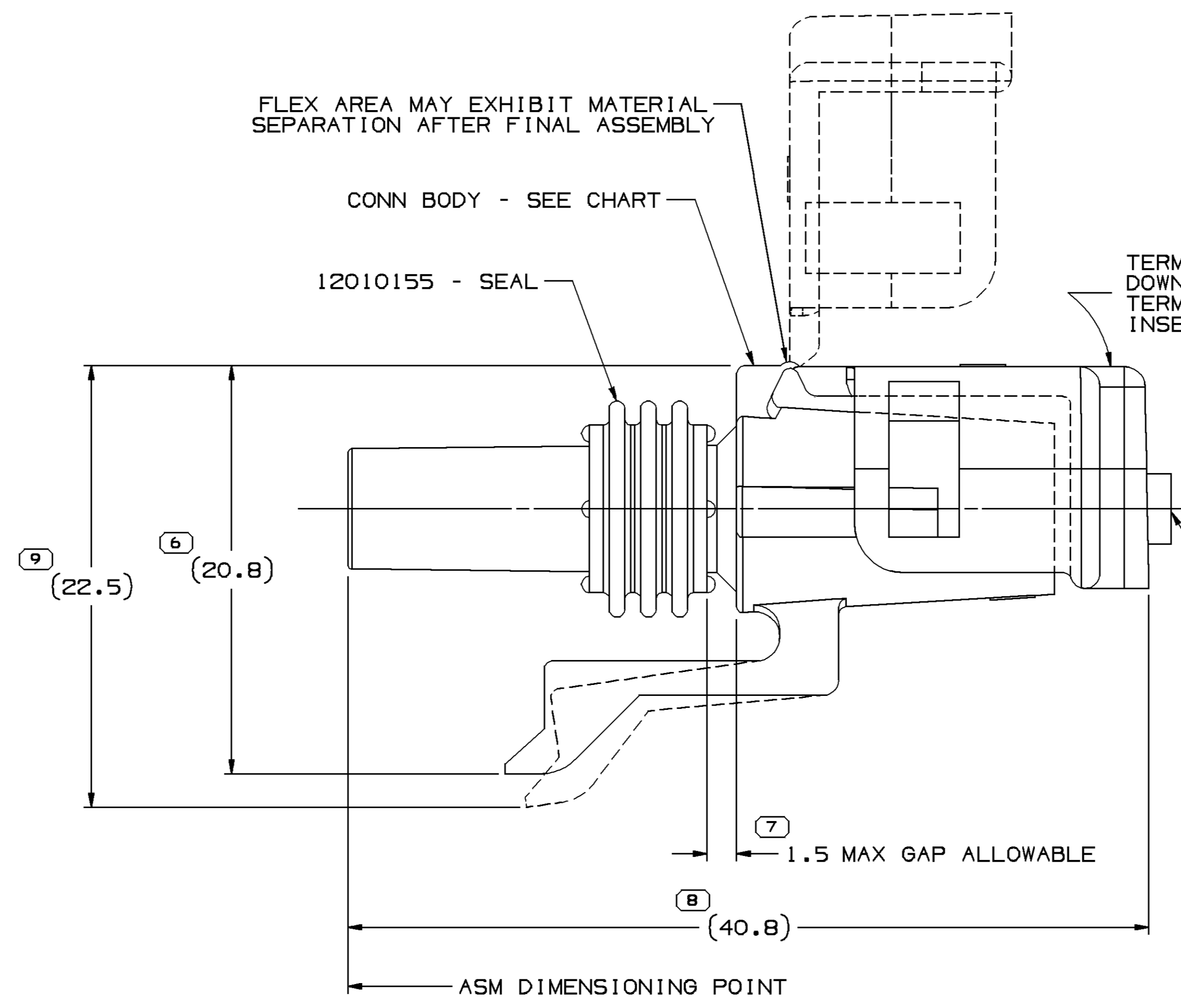
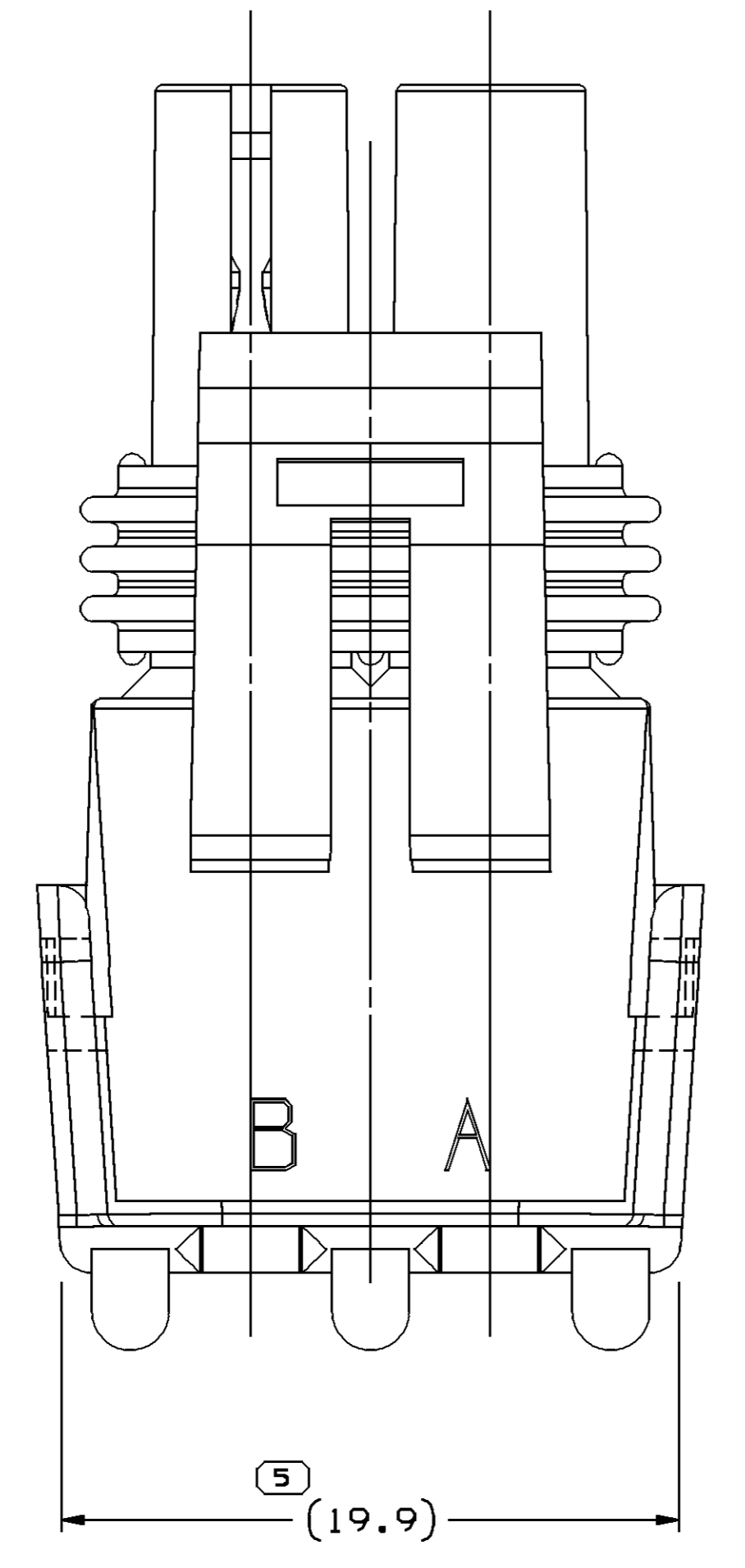


INDEX CODE
-11-
TYPE II



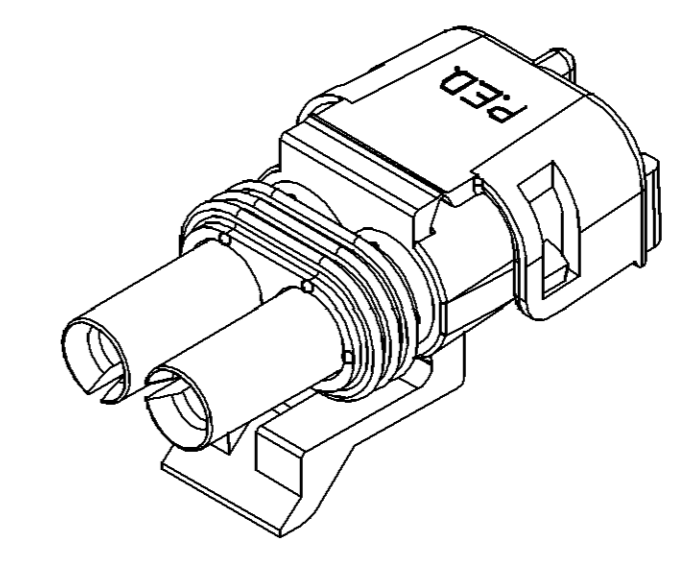
INDEX CODE
-21-
TYPE I

INDEX SLOT ARRANGEMENT



NOTES

- UNLESS OTHERWISE SPECIFIED AND/OR INDICATED: DIMENSIONS ARE TO FACE OF VIEW SHOWN AND AUTOMATICALLY ROUNDED BY COMPUTER FOR INSPECTION (SEE MATH MODEL FOR PRECISE DIMENSIONS). FOR ALL OTHER DIMENSIONS NOT SHOWN BUT REQUIRED FOR TOOL BUILD, SEE MATH MODEL FOR PRECISE TOOL PATH DATA.
- USE FEMALE TERMINAL 12089188 OR EQUIVALENT FOR "IN-LINE" APPLICATIONS. USE MALE TERMINAL 12089040 OR EQUIVALENT FOR "PANEL MOUNT" APPLICATIONS.
- USE CABLE SEAL 12015323 OR EQUIVALENT.
- WHEN PARTS ARE SHIPPED, THEY MUST PACKED IN PLASTIC BAGS OR SHIPPING CONTAINERS MUST BE LINED WITH PLASTIC LINERS. BAGS OR LINERS MUST BE SEALED TO AVOID ENTRY OF FOREIGN MATTER.
- SEALING CODE 3 - DESIGN WILL PASS SALT FOG AND IMMERSION TEST AFTER CONDITIONING AS SPECIFIED IN ESA-644 (WEATHER-PACK), ESA-710 (METRI-PACK), (WORLD CONNECTOR), ETC WHEN MATED TO MATING PART OR EQUIVALENT
- WHEN DESIGNING A PART TO MATE TO THIS WEATHER PACK CONNECTOR, REQUEST THE LATEST COPY OF DRAWING NUMBER 12020084 FROM THE PACKARD ELECTRIC DIVISION.



VIEW SCALE DOES NOT REFLECT ACTUAL PART SIZE

12103584	A3	-	12103583	ASM CONN 2M W/P TWR	DEVICE	12089040/MALE	I		DEVICE	
12047672	A3	-	12015782	ASM CONN 2 W/P TWR	BLOCK-OFF	NONE	I	12010300-2 PLCS FOLD COVER	12010973	
12045898	A4	- OBSOLETE	12047690	ASM CONN 2F W/P TWR	IN-LINE	12089188/FEMALE	I		12146103	
12020778	A	- OBSOLETE	12020777	ASM CONN 2M W/P TWR	DEVICE	12089040/MALE	II		DEVICE	
12015792	A3	-	12015782	ASM CONN 2F W/P TWR	IN-LINE	12089188/FEMALE	I		12010973	
PART NO	REV	N/P	STATUS	CONN BODY	STANDARD DESCRIPTION	APPLICATION	REF: TERMINAL/GENDER	TYPE	CAVITY PLUGS	MATING PART

DIMENSIONAL RANGE (MM)		TOLERANCE UNLESS OTHERWISE SPECIFIED		ANGULAR TOLERANCE 2°	
FROM	TO	±	±	±	±
> 0	> 20	> 30	> 70	> 100	> 150
> 20	30	70	100	150	200
30	70	100	150	200	250
70	100	150	200	250	300
100	150	200	250	300	400

DELPHI
DELPHI PACKARD ELECTRIC SYSTEMS
WVREN, OH

DR	DATE
APV01 D. BORKOSKY	14FEB84
APV02 J. CAPITO	21FEB84
APV03 D. SOVACCOOL	06MFR84
APV04	
APV05	

THIS DOCUMENT IS IN ACCORDANCE WITH ASME Y14.9M-1994 AS MODIFIED BY THE USE OF DIMENSIONAL AND TOLERANCE PRACTICES. ALL DIMENSIONS ARE IN MILLIMETERS UNLESS OTHERWISE SPECIFIED. DIMENSIONS UNLESS OTHERWISE SPECIFIED ARE ESTABLISHED BY ORIENTATION OR LOCATION TOLERANCES. SEPARATE POSITION CALLOUTS MAY BE SHOWN SEPARATELY, REGARDLESS OF DATUM REFERENCE. ALL DIMENSIONS ARE IN MILLIMETERS.

UNLESS OTHERWISE SPECIFIED:
DIMENSIONS ENCLOSED IN () INDICATE REFERENCE DIMENSIONS AND NO TOLERANCE LIMITS ARE ESTABLISHED.

REFERENCE: 12015792

THIRD ANGLE PROJECTION

DO NOT SCALE. USE MATH DATA.

SCALE: 5:1

FRAME NO: 1 OF 1

SHEET NO: 1 OF 1

STG: R

REV: 08

DRAWING NUMBER: 12047691