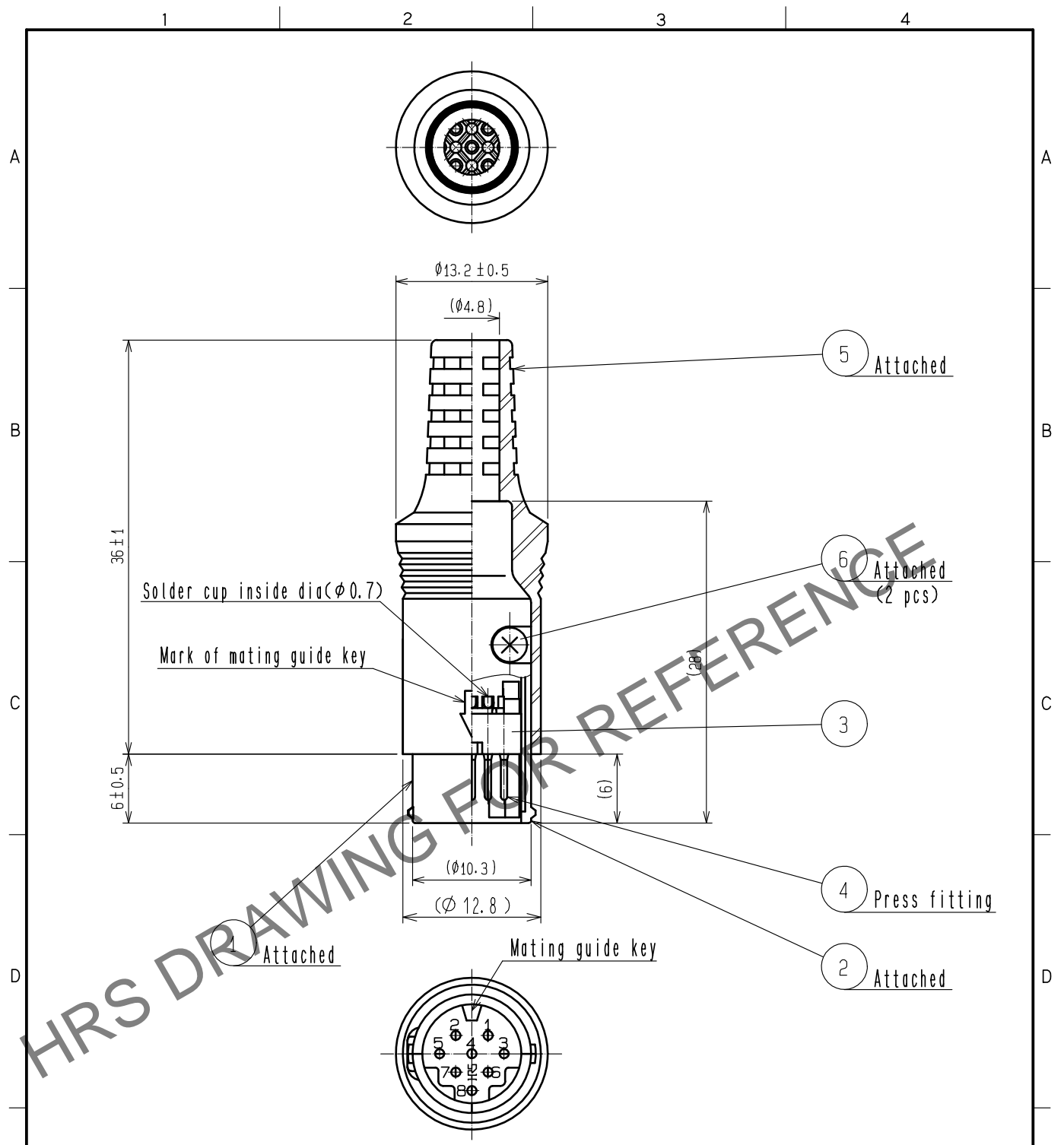


Sep. 1. 2024 Copyright 2024 HIROSE ELECTRIC CO., LTD. All Rights Reserved.
 In case of consideration for using Automotive equipment / device which demand high reliability, kindly contact our sales window correspondents.



Notes) 1. Assembling should be done as per drawing.
 2. The cable clamping power and the turning force, etc. are different according to the structure of the cable, and use it, please after it confirms it beforehand.

NO.	MATERIAL	FINISH .	REMARKS	NO.	MATERIAL	FINISH .	REMARKS
3	PPS	(Black)	UL94V-0	6	Steel	Nickel plating	Tapping screw M2×4
2	Zink alloy	Nickel plating		5	Soft ployvinyl chloride	(Black)	UL94V-0
1	Zink alloy	Nickel plating		4	Copper alloy	Tin plating	

UNITS mm		SCALE 2 : 1	COUNT 	DESCRIPTION OF REVISIONS	DESIGNED	CHECKED	DATE
-------------	--	----------------	-----------	--------------------------	----------	---------	------

HIROSE ELECTRIC CO., LTD.	APPROVED : TP. KOMATSU	20201121	DRAWING NO.	EDC-043932-41-00
	CHECKED : HY. KOBAYASHI	20201119	PART NO.	HR212-10P-8P(41)
	DESIGNED : TY. SUZUKI	20201119	CODE NO.	CL0112-4001-3-41
	DRAWN : TY. SUZUKI	20201119		