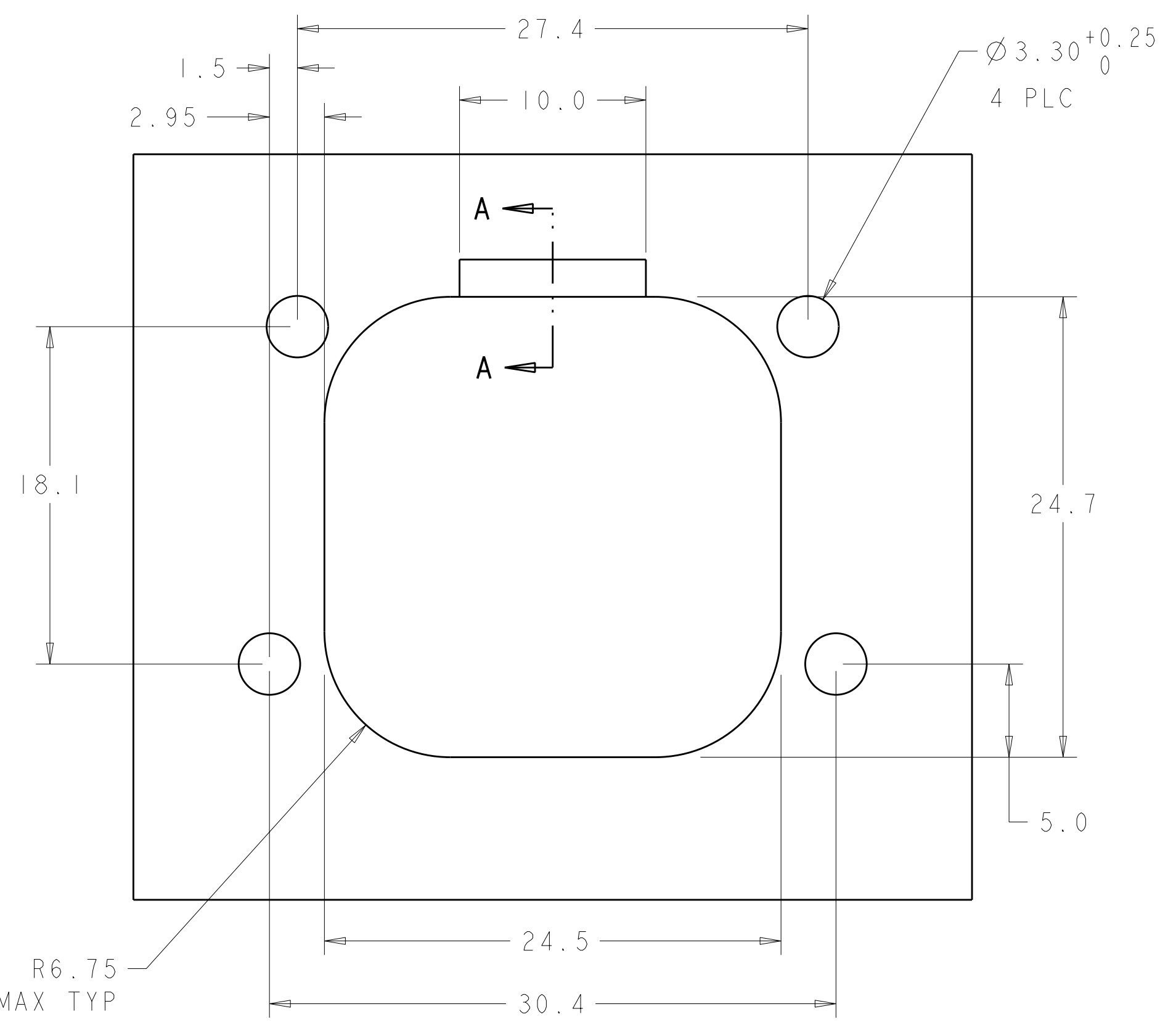
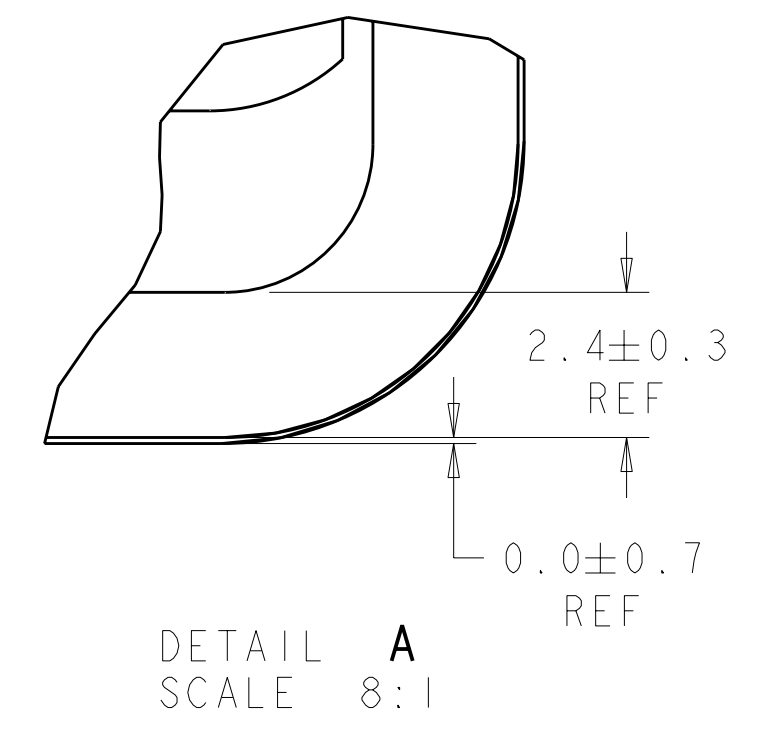
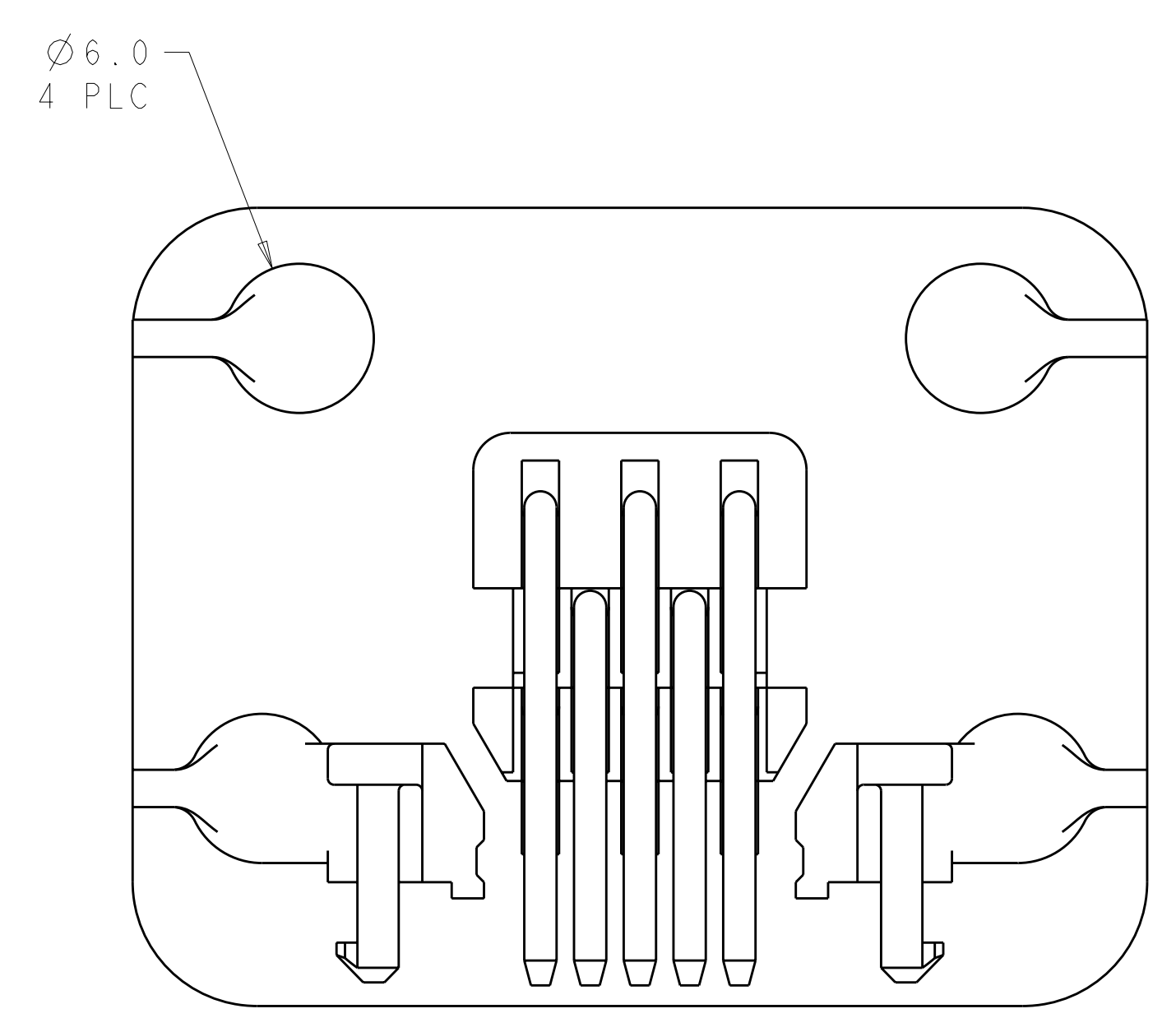
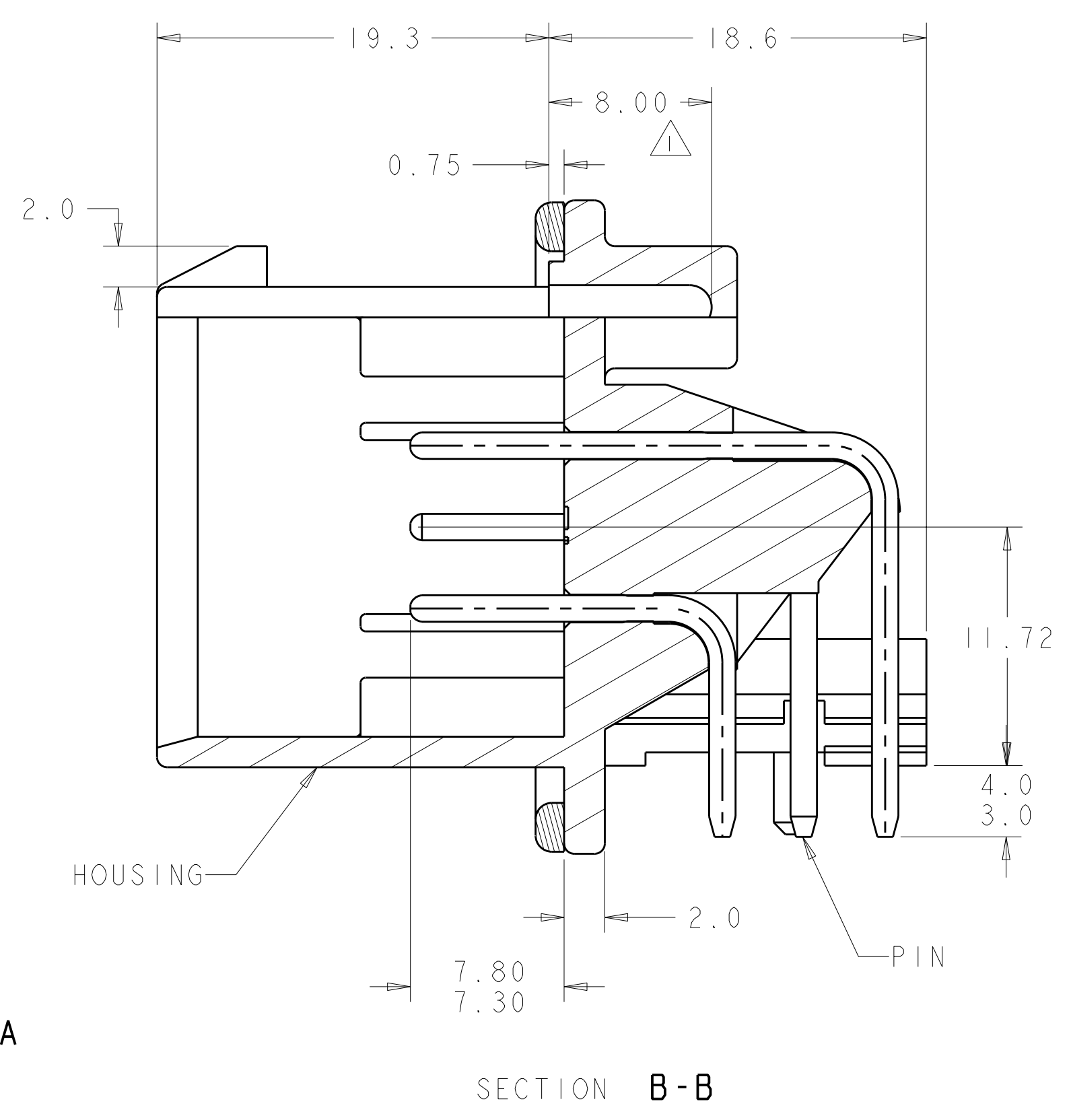
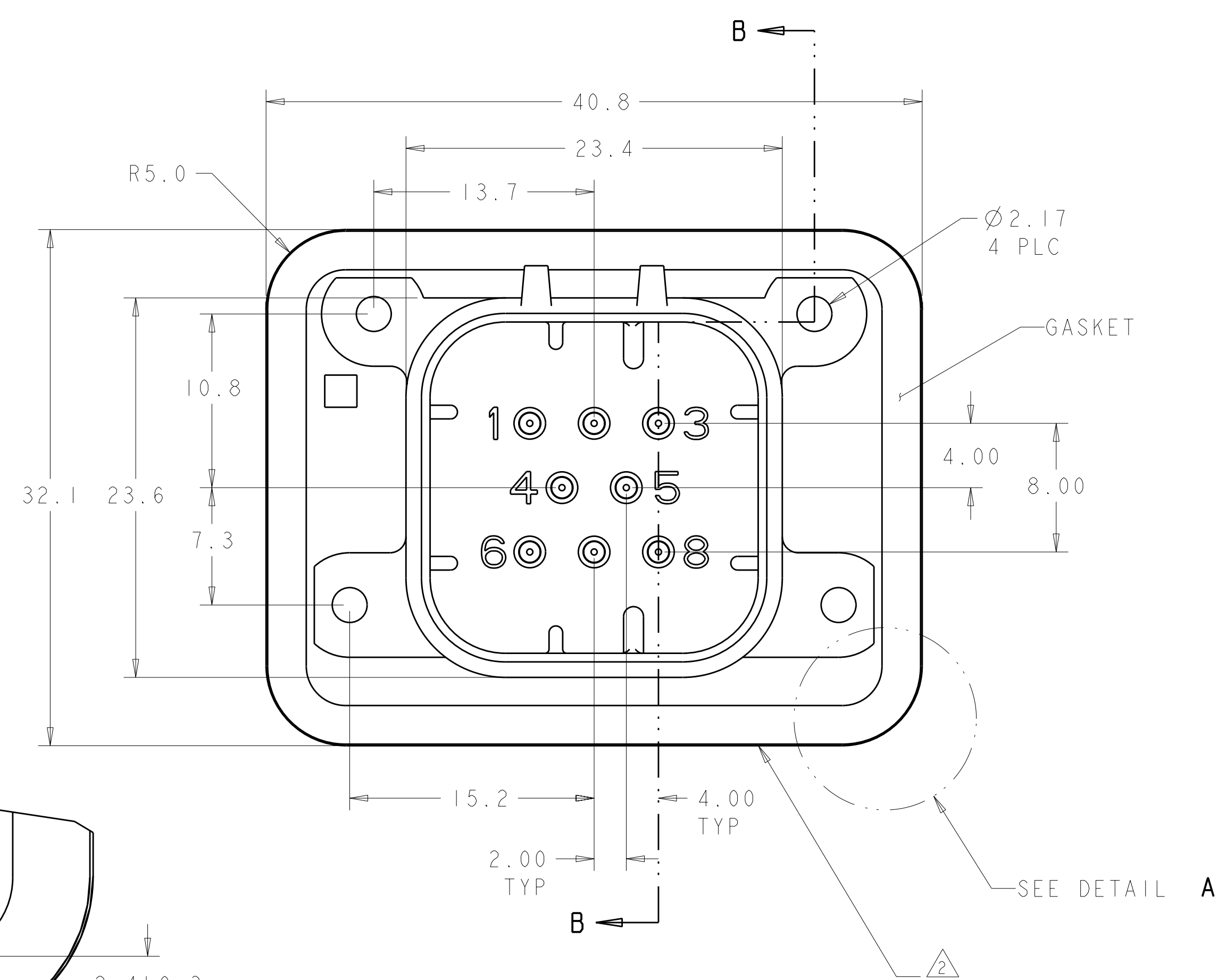
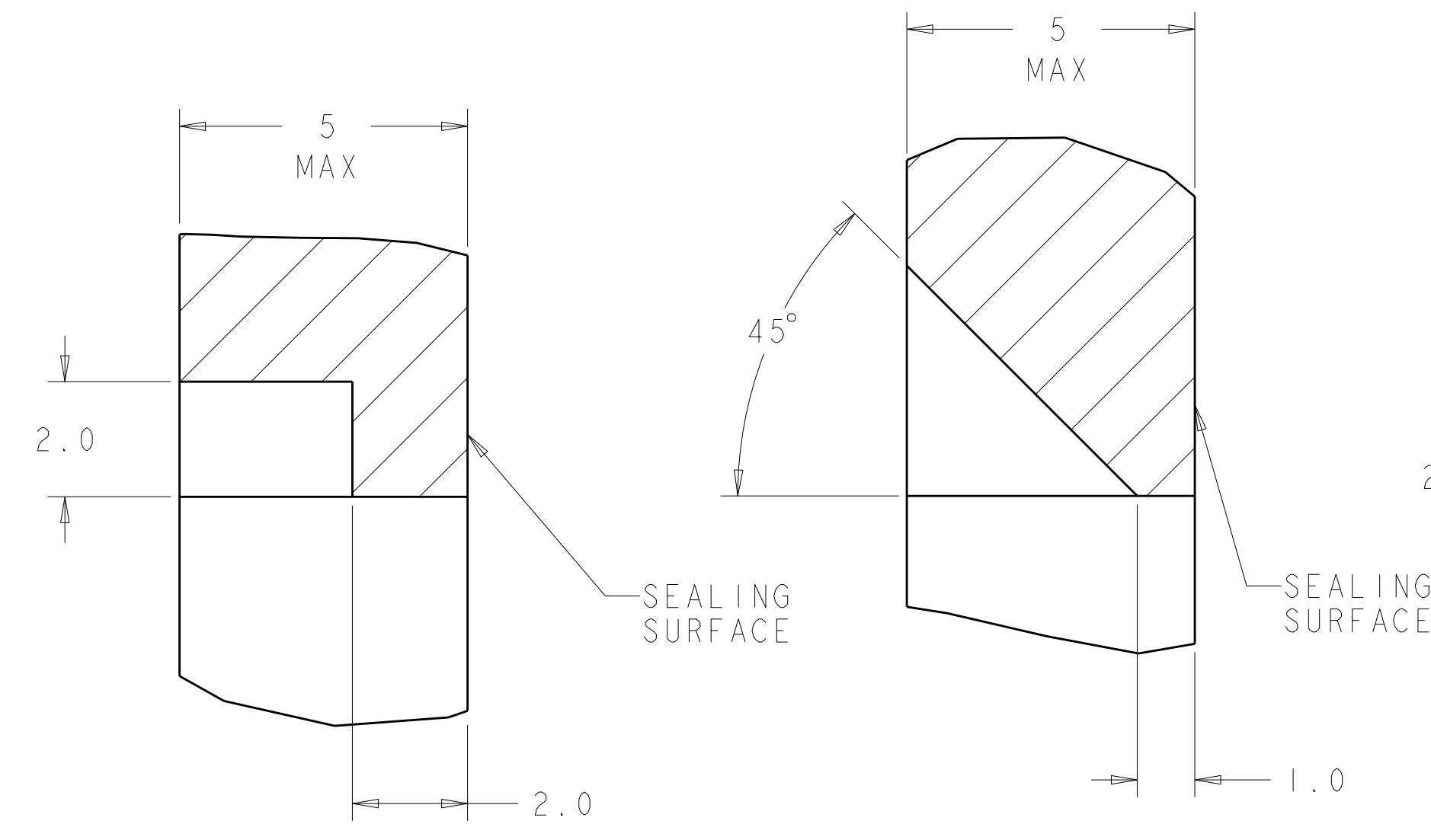


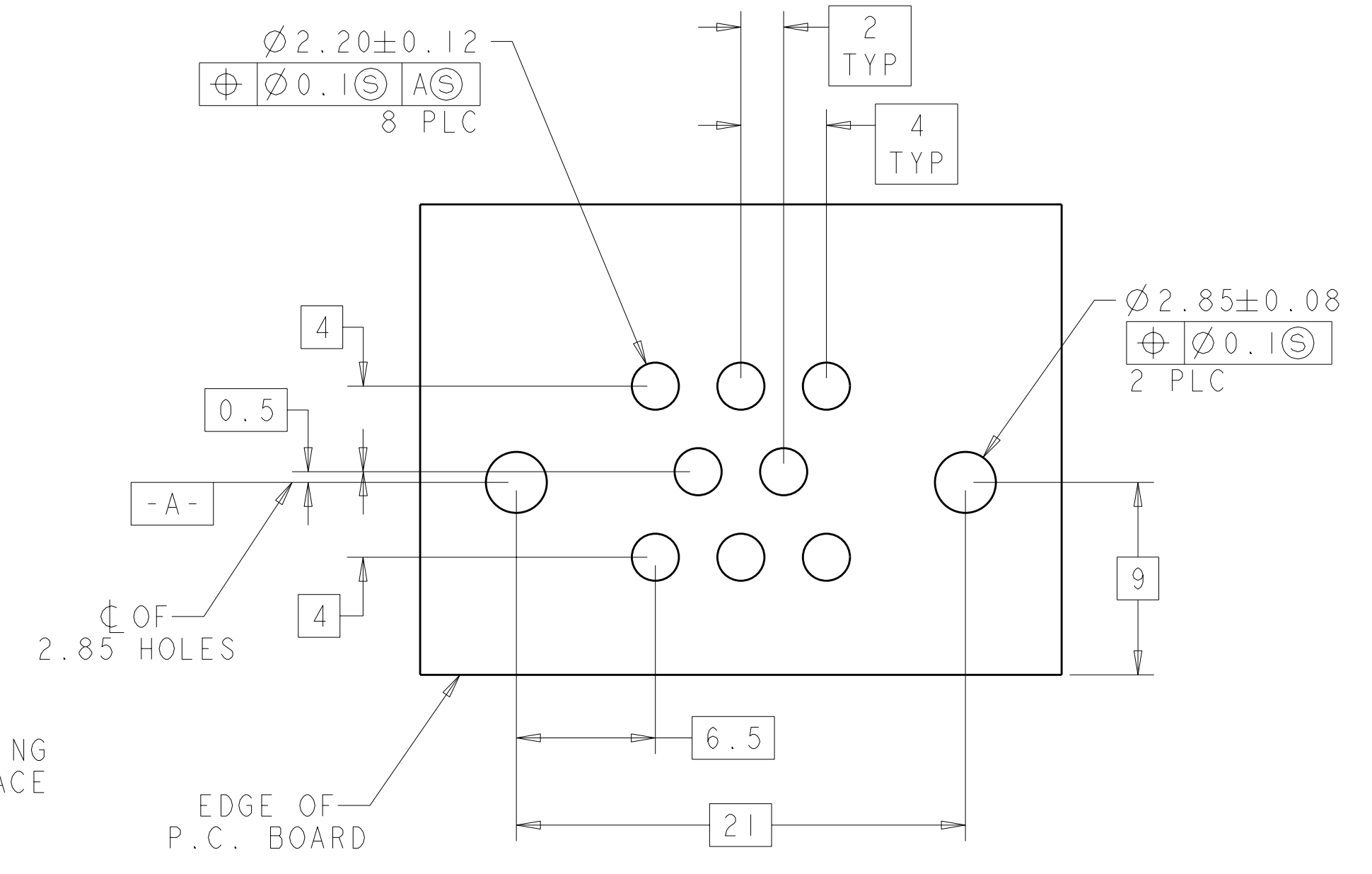
| LOC | DIST | REV | DATE | BY | CHKD | APVD |
|-----|------|-----|-----------|----|------|------|
| GE | 00 | F3 | 12MAR2011 | RK | HMR | |



RECOMMENDED MOUNTING HOLE LAYOUT FOR 5.0 MAX THICK PANEL



SECTION A-A
OPTIONAL CONSTRUCTION IF THICKNESS IS GREATER THEN 2.0
SCALE 10:1



RECOMMENDED P.C. BOARD LAYOUT FOR 1.57 THICK P.C. BOARD

| SILICONE | NATURAL | DURAGOLD PLATED | 1-776280-2 |
|----------------------|---------|-----------------|-------------|
| | BLACK | DURAGOLD PLATED | 1-776280-1 |
| GASKET MATERIAL | BLACK | TIN PLATED | 776280-6 |
| | NATURAL | TIN PLATED | 776280-2 |
| | BLACK | TIN PLATED | 776280-1 |
| HEADER HOUSING COLOR | | PIN | PART NUMBER |

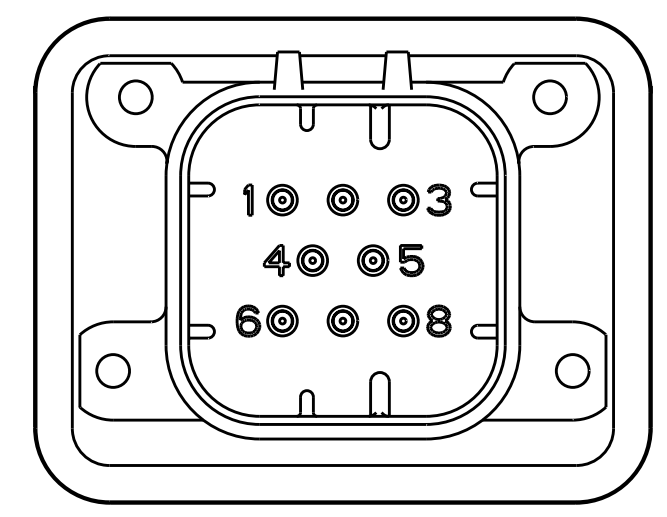
- △ ACCEPTS #4 SELF TAPPING THREAD CUTTING SCREWS OR METRIC EQUIVALENT. DRIVE TO 0.6±0.2 N-m MAX.
- △ HOUSING COLORS ARE MECHANICALLY KEYS TO MATE ONLY WITH IDENTICALLY COLORED PLUG ASSEMBLIES.
- △ REFER TO PAGE 2 FOR 776280-6 ASSEMBLY DIMENSIONS, RECOMMENDED MOUNTING HOLE AND P.C. BOARD LAYOUT ARE THE SAME FOR ALL DASH NUMBERS.

THIS DRAWING IS A CONTROLLED DOCUMENT.

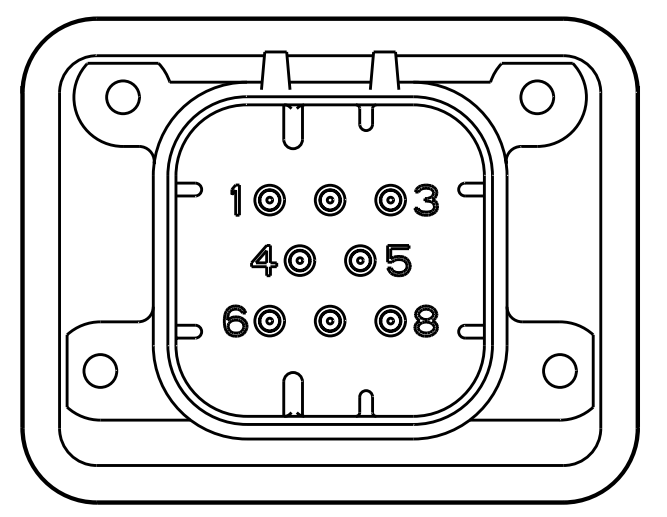
| | | | | | |
|---|--|------------------------|------------------------|-------------------------|---|
| DIMENSIONS: | TOLERANCES UNLESS OTHERWISE SPECIFIED: | DWN: J. MARKEY 29FEB08 | CHK: J. MARKEY 29FEB08 | APVD: J. MARKEY 29FEB08 | NAME: |
| mm | 0 PLC ±0.25 1 PLC ±0.2 3 PLC ±0.13 5 PLC ±0.08 4 PLC ±0.05 ANGLES ±0.5° | PRODUCT SPEC: | APPLICATION SPEC: | WEIGHT: | SIZE: CAGE CODE: DRAWING NO: A1100779C=776280 |
| MATERIAL: HOUSING: G.F. PBT PIN: BRASS | FINISH: | CUSTOMER DRAWING | SCALE: 4:1 | SHEET: 1 OF 2 | REV: F3 |

STE TE Connectivity
HEADER ASSEMBLY, 8 POSITION, RIGHT ANGLE, AMPSEAL

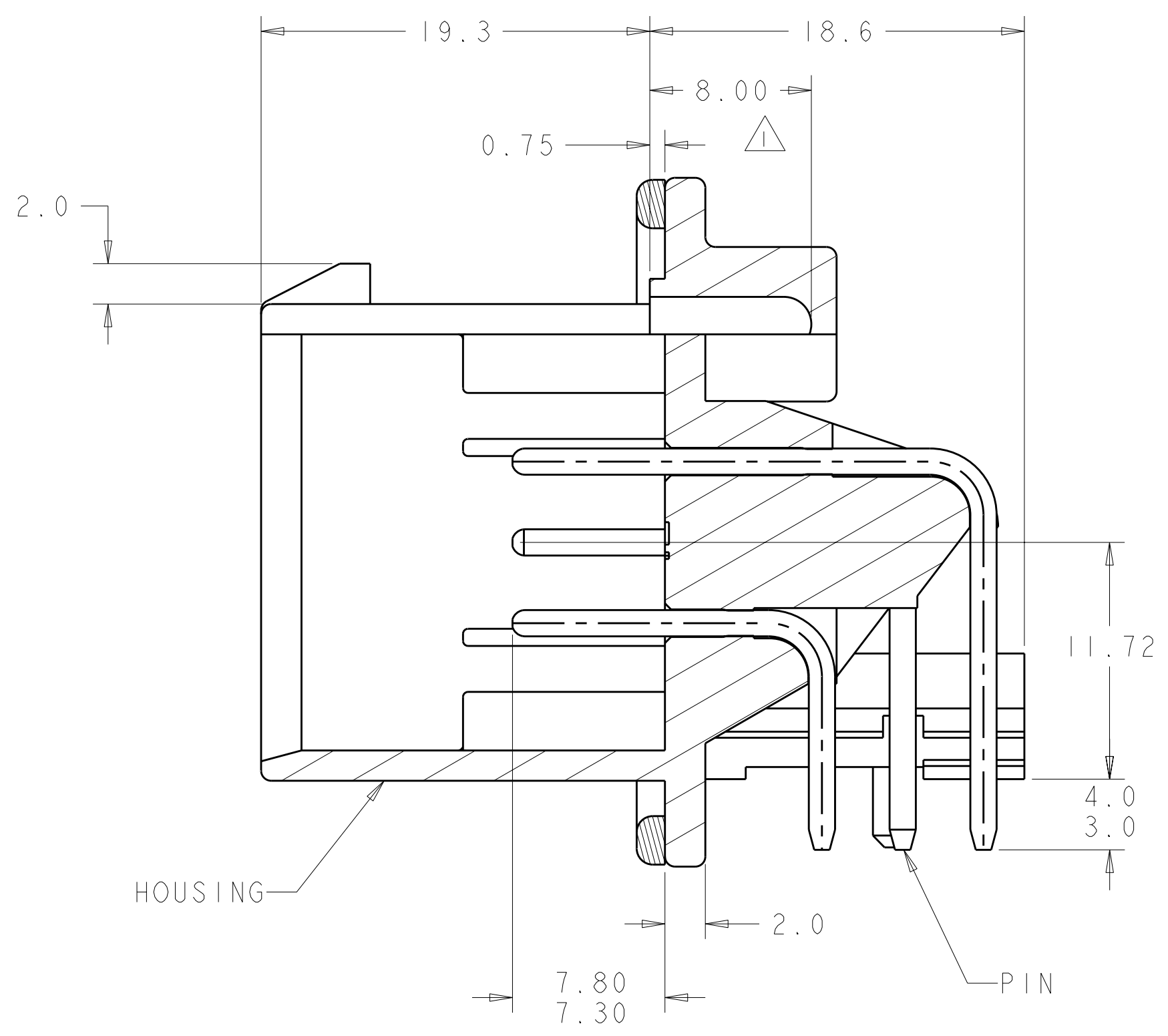
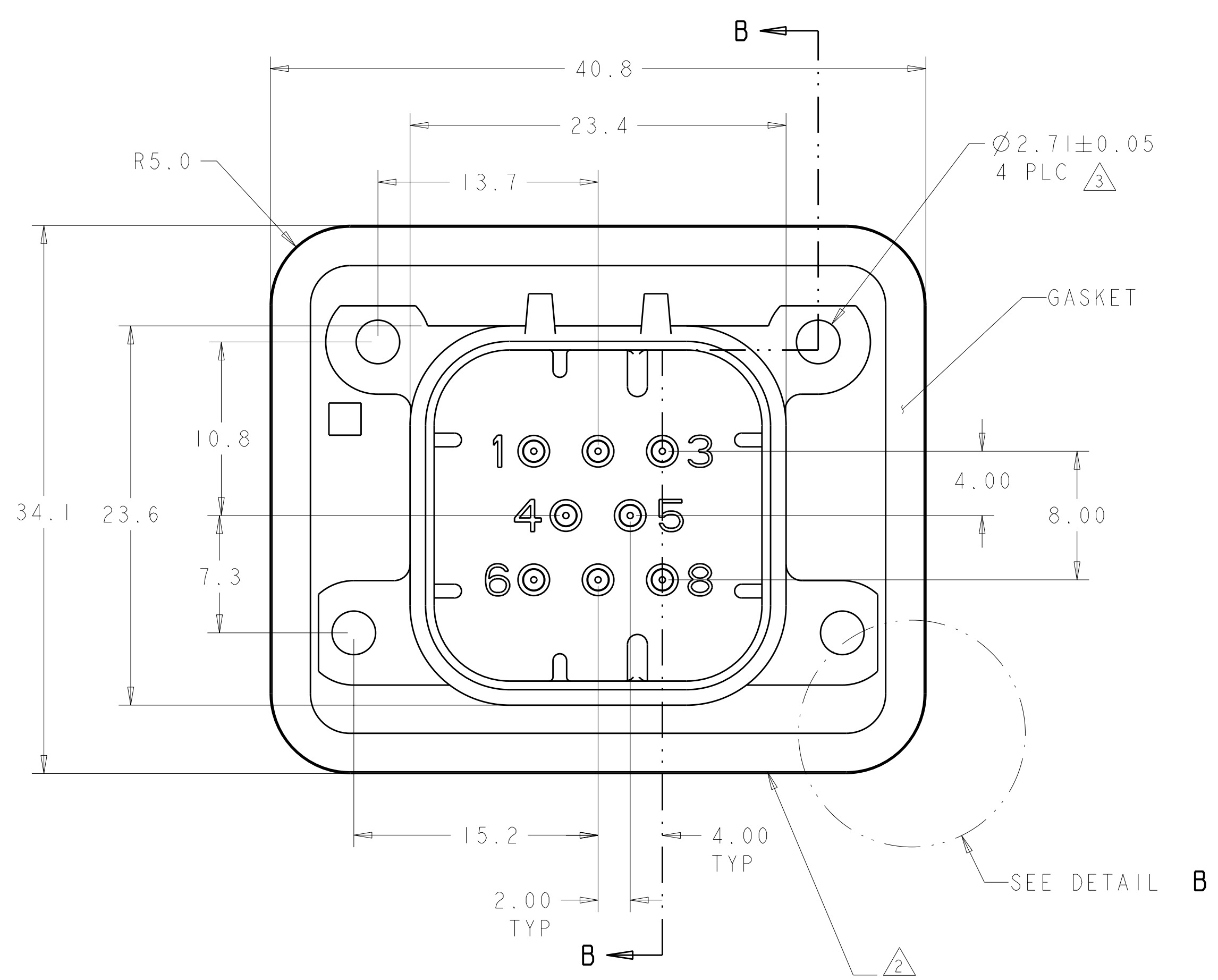
| LOC | DIST | REV | DATE | BY | APPD |
|-----------|------|-----|------|----|------|
| GE | 00 | | | | |
| REVISIONS | | | | | |
| | | | | | |
| | | | | | |
| | | | | | |



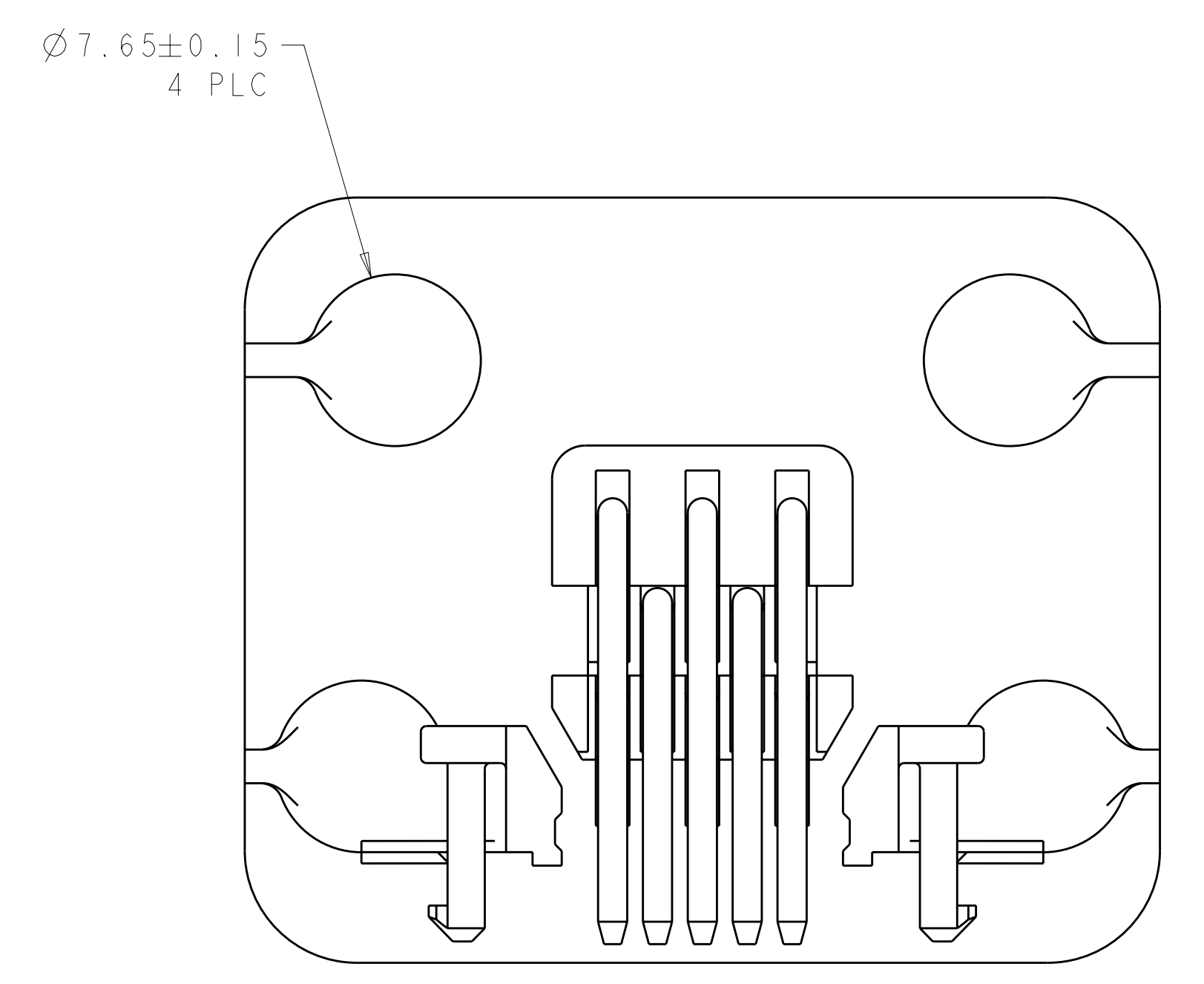
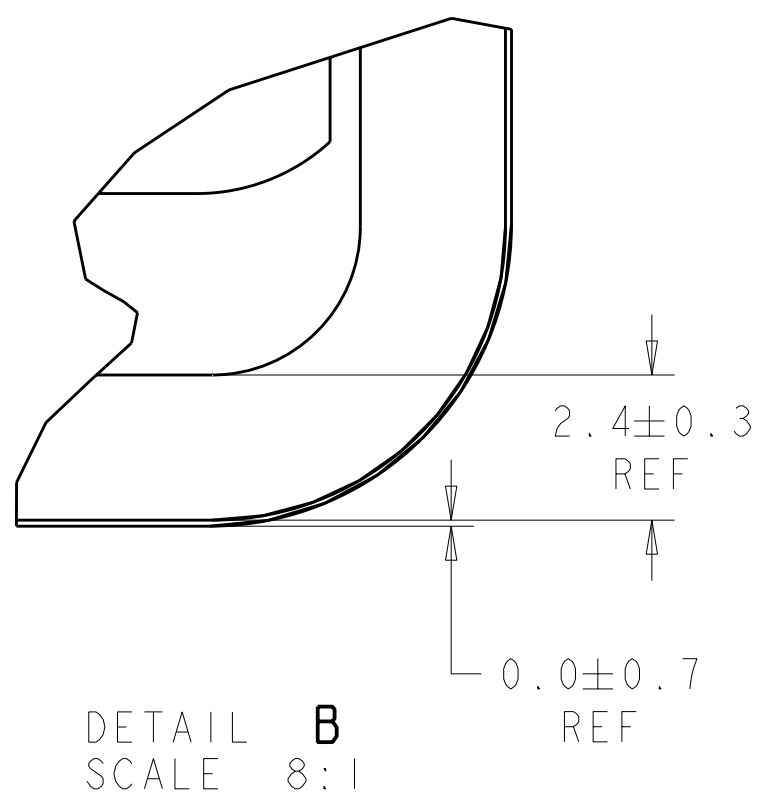
776280-1, 776280-6 & 1-776280-1
 KEY LOCATION
 SCALE 2:1



776280-2 & 1-776280-2
 KEY LOCATION
 SCALE 2:1



SECTION B-B



- ACCEPTS #4-20 THREAD FORMING TWIN HELIX PLASTITE SCREW (SINGLE HELIX OPTIMAL)
- HOUSING COLORS ARE MECHANICALLY KEYED TO MATE ONLY WITH IDENTICALLY COLORED PLUG ASSEMBLIES.
- 0° 30' MAX DRAFT FROM TOP OF HOLE (1° INCLUDED ANGLE)

ASSEMBLY DIMENSIONS APPLY TO 776280-6 ONLY
 (HOLE LAYOUT AND P.C. BOARD LAYOUT SHOWN ON SHEET 1 APPLY TO ALL DASH NUMBERS)

| | | | |
|--|----------------------|---|-------------|
| SILICONE | BLACK | TIN PLATED | 776280-6 |
| GASKET MATERIAL | HEADER HOUSING COLOR | PIN | PART NUMBER |
| THIS DRAWING IS A CONTROLLED DOCUMENT. | | DWN J. MARKEY 29FEB08 CHK J. MARKEY 29FEB08 APVD J. MARKEY 29FEB08 NAME: | |
| DIMENSIONS: mm TOLERANCES UNLESS OTHERWISE SPECIFIED: 9 PLC ± 1 PLC ±0.2 5 PLC ±0.13 4 PLC ± ANGLES ±4° FINISH: | | PRODUCT SPEC: APPLICATION SPEC: WEIGHT: CUSTOMER DRAWING: | |
| MATERIAL: | | SIZE: CAGE CODE: DRAWING NO: A100779C=776280 RESTRICTED TO: | |
| SCALE 4:1 | | SHEET 2 OF 2 REV F 3 | |