



Carbon Monoxide Transmitter E2615-CO



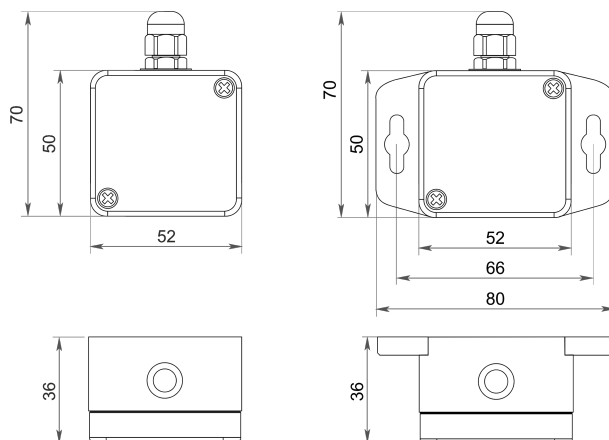
Features

- Maintenance free sensor
- User selectable output 4-20 mA / 0-10 V
- Range of compact wall mount enclosures
- Low cost for volume HVAC applications

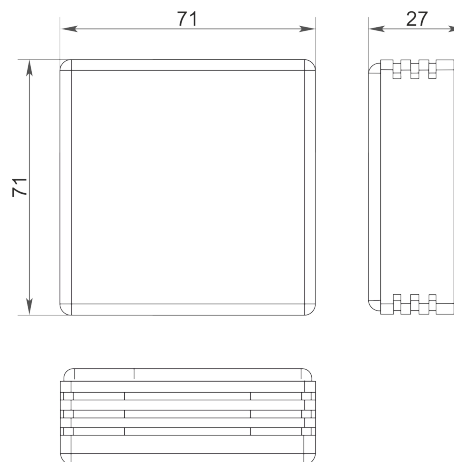
Specifications

| | |
|--|--|
| Sensor type | Electrochemical |
| Sampling method | Diffusion |
| Detection range | 0-300 ppm |
| Resolution | 1 ppm |
| Maximum overload | 1000 ppm |
| Response time T90 | < 45 s |
| Sensor protection | Microporous PTFE dust filter |
| Warm-up time | ≤ 1 min |
| Analog output | 4-20 mA / 0-10 V, user settable |
| Power supply | 24 VDC ± 20% |
| Power consumption | < 1 W |
| Sensor lifetime | ≥ 10 years |
| Sensitivity drift | < ± 20% in 5 years |
| Indoors enclosure IP20 version | White, ivory or black ABS plastic, wall mount, protection class IP20 |
| Weatherproof enclosure IP65 version | Light or dark grey ABS plastic, wall mount, protection class IP65 |
| Operating conditions | -20...+40 °C recommended -20...+50 °C intermittently 10...95 %RH non-condensing, pressure 0,9...1,1 atm |
| EMC Emissions | To EN 61000-6-3, EN 61326-1 |
| EMC Immunity | To EN 61000-6-1, EN 61000-6-2 |

IP65 Enclosures

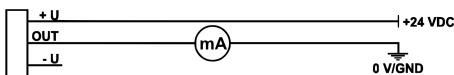


IP20 Enclosures

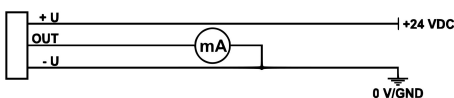


Connection diagrams

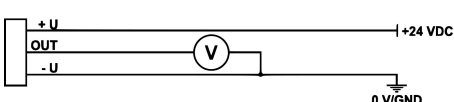
2-wire 4-20 mA output



3-wire 4-20 mA output



3-wire 0-10 V output



Ask for other versions or custom designed products

