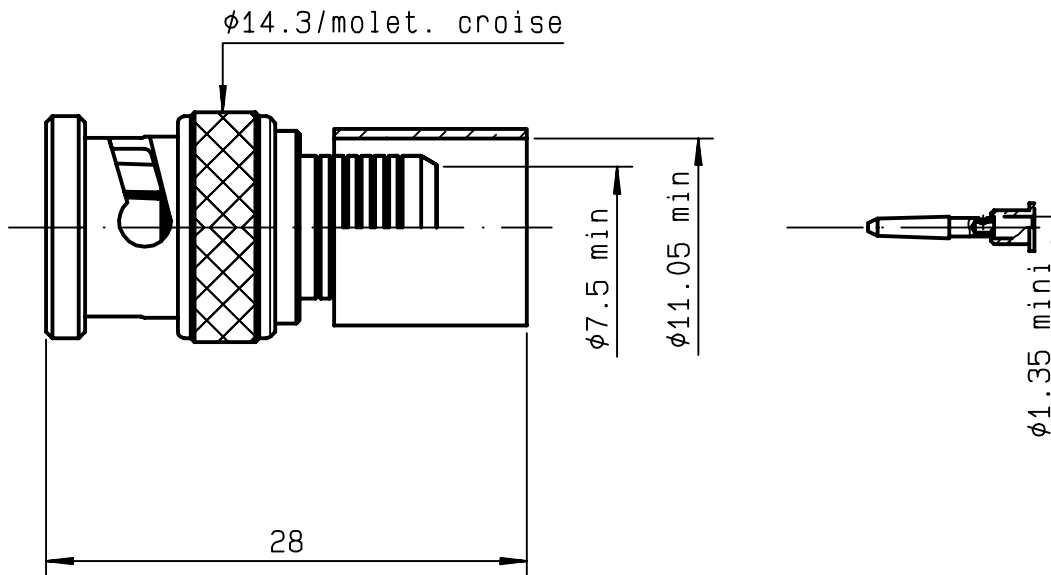


**STRAIGHT PLUG CRIMP-TYPE
CABLE 10/75 S**

R142.095.000
SERIES BNC 75



NOMINAL IMPEDANCE	75 Ω	CABLES : KX 8
FREQUENCY RANGE	0-1.5 GHz	RG 11
TEMPERATURE RATING	-65/+165 °C	RG 144
V.S.W.R	1.30 + 0 x F(GHz)Maxi	
RF INSERTION LOSS	0.115 √F(GHz) dB Maxi	
VOLTAGE RATING	500 Veff Maxi	
DIELECTRIC WITHSTANDING VOLTAGE	1500 Veff Mini	
INSULATION RESISTANCE	5000 MΩMini	OTHERS CHARACTERISTICS
HERMETIC SEAL	NA Atm.cm ³ /s	CABLE RETENTION 300 N Mini
LEAKAGE (pressurized only)	NA	CENTER CONTACT RETENTION
MECHANICAL DURABILITY	500 Cycles	Axial force - mating end 27 N Mini
WEIGHT	gr	Axial force - opposite end 27 N Mini
SPECIFICATION		Torque NA cm.N Mini
		RECOMMENDED TORQUES
		Mating NA cm.N
		Panel nut NA cm.N
		Clamp nut NA cm.N

CONNECTOR PARTS	MATERIALS	FINISH	(all values are given) in micrometers
BODY	BRASS	NICKEL 2	
OUTER CONTACT			
CENTER CONTACT	BRASS	GOLD 0.5 OVER NICKEL 2	
INSULATOR	PTFE	-	
GASKET	SILICONE RUBBER	-	
OTHERS PIECES	BRASS	NICKEL 2	

ISSUE	CREATION DATE	FILE PART-NUMBER
9904D00	23/04/1991	



Connect to the future

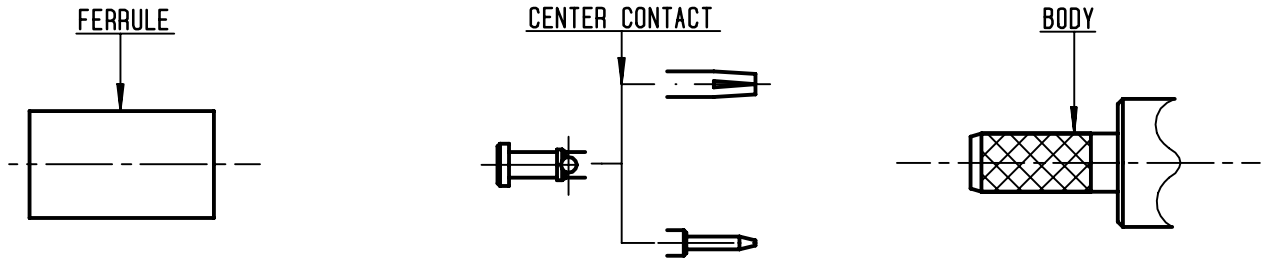
The information given here is subject to change without notice.
Design changes may be in order to improve the product .

LELEU



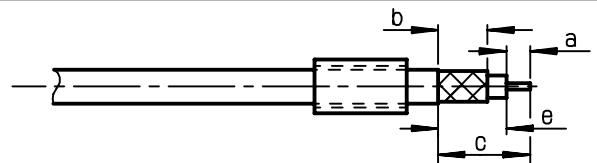
R142.095.000

ISSUE 9904D00 SERIES BNC 75



①

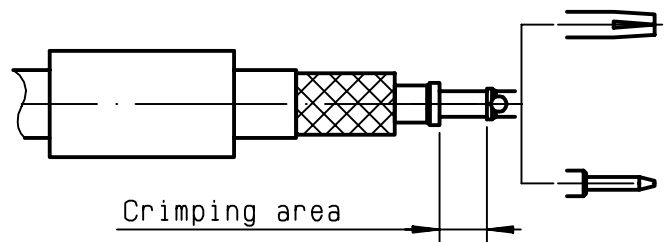
Slide ferrule onto cable .
Strip the cable .
-
-



Stripping	a	b	c	d	e
inch	0.098	0.354	0.551	0	0.453
mm	2.5	9	14		11.5

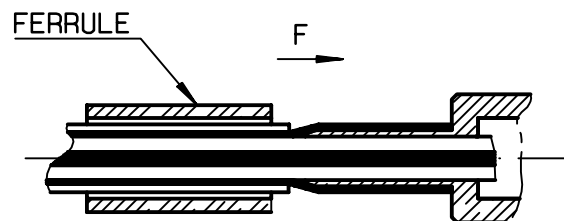
②

Slide on the center contact until it bottoms against cable dielectric.
Crimp center contact, crimping tool R282.223.000 (Hex. .068) or crimping tool M22520/5-01 + dies M22520/5-11
-
-
-



③

Open the braid
Slide cable into the body until bottoms against insulator.
Slide ferrule over the braid (In direction F)



④

Crimp the ferrule with crimping tool R282.231.000 (Hex. : .415) or Crimping tool M22520/5-01 + dies Y 116 DANIELS
Cut the excess of braid
-

